

Over-the-Range Microwaves

EI30BM55H S, EI30BM55H W, EI30BM55H B, EI30BM55H Z



IQ-Touch™ Bottom Controls

For those who like to have their options always visible, the IQ-Touch™ control panel displays cooking options at all times and is conveniently located on the door bottom.



Premium Sensor Cooking

Ten Sensor Touch options available to determine exact cooking time of many commonly prepared dishes. Sensors eliminate guesswork by automatically calculating remaining cooking time.



Multi-Stage Cooking Options

Four cooking options ensure any dish requiring multiple cooking stages is optimally prepared. Easily defrost and cook with simple commands.



2.0 Cu. Ft. Capacity with 1,000 Watts of Power

Extra-large 2.0 cubic foot interior with 1,000 watts of cooking power offers consumers the versatility they are looking for, including enough space for a 9" x 13" pan with handles.

30" OVER-THE-RANGE MICROWAVES

Oven Cavity	2.0 Cu. Ft.
Watts	1000
Oven Interior	White Enamel
Interior Light	Yes
16" Glass Turntable	Yes

Control Panel Features

IQ-Touch™ Electronic Controls	Yes
Front Display with Blue LED	Yes
Electronic Clock & Timer	Yes
Humidity Sensor	Yes
Power Levels	10
Touch Pad Controls	31
Auto Start	Yes
Auto Defrost Options	6
Auto Cook Options – Quick Meal (4), Dinner Recipes (5)	9
Auto Reheat Options – Fresh Rolls/Muffins (1), Frozen Rolls/Muffins (1), Pasta (1)	3
Beverage (0.5 – 2.0 Cups)	Yes
Sensor Touch Options – Cook (5), Reheat (1), Popcorn (1), Baked Potato (1), Frozen Vegetables (1), Fresh Vegetables (1)	10
Multi-Stage Cooking Options	4
Shortcut Options	1 – 6 Minutes
Add 30 Seconds	Yes
Keep Warm	Yes
Custom Help Options	Yes
Panel Lock	Yes
Demo Mode	Yes
Adjustable Sound Level For Timers/Reminders	Yes
More/Less Function	Yes

Additional Features

Signature Soft-Arc Oven Door and Handle Design	Yes
Glass Window	Yes

Ventilation System

Hood Fan	Yes
Exhaust Duct	Convertible*
Exhaust Fan (300 CFM)	3-Speed
Charcoal Filters (Recirculated Installation)	1
Grease Filters	2

Accessories

Metal Rack	Included
36" Filler Panel Kit	
Stainless Steel – MWFILKTSS	Optional
White – MWFILKTWH	Optional
Black – MWFILKTBLK	Optional

Specifications

Color –	
Stainless Steel	S
White	W
Black	B
Black on White	Z
Oven Cavity Dimensions –	
Height	10-1/16"
Width	22-1/2"
Depth	14-31/32"
Overall Exterior Dimensions** –	
Height (Including 1/2" Lower Extrusion)	17-1/16"
Width	29-15/16"
Depth (to Center of Arc - Including 5/8" Rear Extrusion)	16-7/8"
Power Supply Connection Location	Right Top Rear
Voltage Rating	120V/60Hz/15A
Connected Load (kW Rating) @ 120 Volts†	1.71
Amps @ 120V	14.3
Watts @ 120 Volt Input	1650
Frequency (Mhz)	2450
60" Electrical Cable	Included
Product Weight (Approx.)	61 Lbs.
Shipping Weight (Approx.)	73 Lbs.

* Ventilation is convertible to be either ducted outside, or recirculated inside requiring no ducting.

** Dimensions are preliminary and subject to change.

† For use on adequately wired 120V, dedicated circuit having 2-wire service with a separate ground wire. Appliance must be grounded for safe operation.

NOTE: Always consult local and/or national electric codes. Refer to Product Installation Guide for detailed installation instructions on the web at electroluxappliances.com.

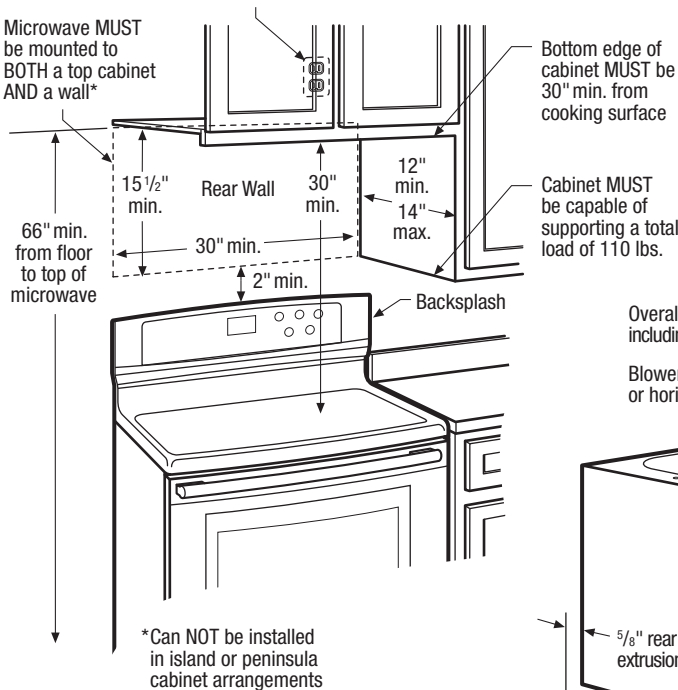
Specifications subject to change.

Over-the-Range Microwaves

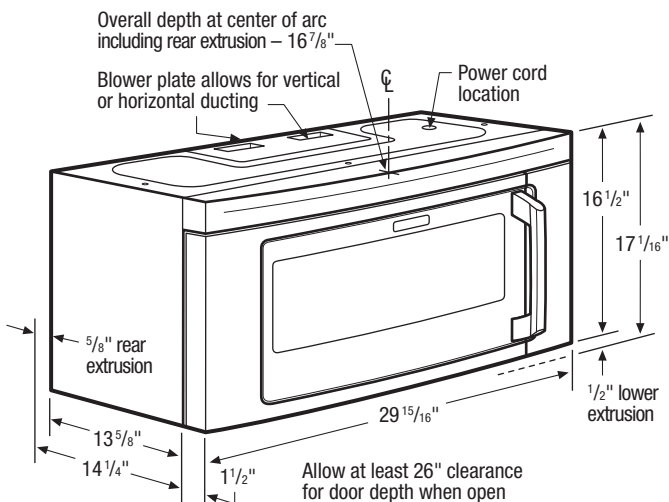
EI30BM55H S, EI30BM55H W, EI30BM55H B, EI30BM55H Z

Locate 120V/60Hz grounded outlet inside upper cabinet

Microwave MUST be mounted to BOTH a top cabinet AND a wall*



* Can NOT be installed in island or peninsula cabinet arrangements



30" Over-the-Range Microwave Specifications

- Product Weight – 61 Lbs.
- Voltage Rating – 120V/60Hz/ 15 Amps
- Connected Load (kW Rating) @ 120 Volts = 1.71 kW
(For use on adequately wired 120V, dedicated circuit having 2-wire service with a separate ground wire. Appliance must be grounded for safe operation.)
- Amps @ 120 Volts = 14.3 Amps
- Always consult local and/or national electric codes.
- Grounded outlet should be located in cabinet above, with hole in base to route power cord. Carefully follow top template instructions for power cord clearance when installing beneath smooth, flat cabinets.
- Microwave's ventilation system is convertible, designed for two types of exhaust – outside, using either vertical or horizontal ducting; or recirculating, requiring no ducting.
- For safe and proper installation, microwave MUST be mounted to BOTH a top cabinet AND a wall, and connected to at least one wall stud. Can NOT be installed in island or peninsula cabinet arrangements.
- Cabinet bottom MUST be level to insure proper installation.
- Cabinet MUST be capable of supporting a total load of 110 lbs.
- Filler blocks recommended for installation when cabinet front hangs below recessed bottom shelf.
- Minimum distance of 30" required from cooking surface to bottom edge of top cabinet.
- Minimum distance of 66" required from floor to top of microwave.
- Opening between cabinets MUST be 30" wide and free of obstructions. For openings up to 36" wide, order optional 36" Filler Panel Kit to fill in gap between unit and cabinets.
- Allow 26" minimum clearance for 90° door swing.

Ducted Option Specifications

- For outside ventilation only.
- Exhaust duct adapter will be needed for outside ventilation, to mate with standard 3-1/4" x 10" rectangular duct. If round duct required, rectangular-to-round transition adapter will be needed with no less than 6" diameter.
- For most efficient airflow exhaust, use a straight run or as few elbows as possible with a maximum duct length of 3-1/4" x 10" rectangular or 6" diameter round duct, not to exceed 140 equivalent feet.
- For horizontal installation, be sure to allow enough space between wall studs to accommodate exhaust.
- Refer to web for detailed duct preparation instructions.

Ductless (Recirculated) Option Specifications

- If ducting to outside is not an option, ventilation system can be converted to ductless to recirculate air inside.
- Refer to web for detailed convertible ventilation installation instructions.

Note: For planning purposes only. Refer to Product Installation Guide on the web at electroluxappliances.com for detailed instructions.

Optional Accessories

- 36" Filler Panel Kit: S – (MWFILKTSS), W – (MWFILKTWH), B – (MWFILKTBLK).

Electrolux Major Appliances, N.A.

USA • 250 Bobby Jones Expressway • Augusta, GA 30907 • 1-877-4electrolux (1-877-435-3287) • electroluxappliances.com
CANADA • 5855 Terry Fox Way • Mississauga, ON L5V 3E4 • 1-800-265-8352 • electroluxappliances.ca

EI30BM55H 06/08

© 2008 Electrolux Home Products, Inc.



High standards of quality at Electrolux Home Products, Inc. mean we are constantly working to improve our products. We reserve the right to change specifications or discontinue models without notice.

Printed in the U.S.A.