

Over-the-Range Microwaves

EI30MH55G S, EI30MH55G W, EI30MH55G B, EI30MH55G Z



Cook-2-Perfection™ Technology

Evenly distributes microwave cooking energy throughout the oven's interior, for even cooking. A 13" x 9" pan – with handles – can be evenly heated.



Premium Sensor Cooking

Fifteen Sensor Touch options available to determine exact cooking time of many commonly prepared dishes. Sensors eliminate guesswork by automatically calculating remaining cooking time.



Complete Meal Cooking

Innovative design maximizes cooking space, allowing entire meals to be completed at one time. The oven rack can be positioned to accommodate all dishes.



2.1 Cu. Ft. Capacity with 1,200 Watts of Power

Extra-large 2.1 cubic foot interior with 1,200 watts of cooking power offers consumers the versatility they are looking for, including enough space for a 9" x 13" pan with handles.

30" OVER-THE-RANGE MICROWAVES

Oven Cavity	2.1 Cu. Ft.
Watts	1200
Oven Interior	White
Interior Light	Yes
Two-Position Work-Area Light	Yes
Cook-2-Perfection™ Virtual Turntable	Yes

Control Panel Features

IQ-Touch™ Electronic Controls	Yes
Front Display with Blue LED	Yes
Electronic Clock & Timer	Yes
Power Levels	11
Touch Pad Controls	28
Auto Start	Yes
Auto Defrost Options	5
Auto Cook Options – Breakfast (5), Lunch (5), Dinner (5)	15
Sensor Touch Options – Cook (9), Popcorn (2), Reheat (4)	15
Shortcut Options Soften, Melt, Warm	Yes
Add-a-Minute	Yes
Custom Help Options	4
Panel Lock	Yes
Demo Mode	Yes
Adjustable Sound Level For Timers/Reminders	Yes

Ventilation System

Hood Fan	Yes
Exhaust Duct	Convertible*
Exhaust Fan (300 CFM)	3-Speed
Charcoal Filters (Recirculated Installation)	1
Grease Filters	2

Accessories

Two-Position Adjustable Metal Rack	Included
36" Filler Panel Kit	
Stainless Steel – 5304463784	Optional
White – 5304463782	Optional
Black – 5304463783	Optional

Color / UPC (0-12505-)

Stainless Steel (S)	55862-7
White (W)	55860-3
Black (B)	55861-0
Black on White (Z)	55939-6

Specifications

Oven Cavity Dimensions –	
Height	10-9/16"
Width	22-9/16"
Depth	15"
Overall Exterior Dimensions –	
Height (Including 5/8" Lower Extrusion)	17"
Width	29-15/16"
Depth (to Center of Arc - Including 3/4" Rear Extrusion)	16-5/8"
Power Supply Connection Location	Right Top Rear
Voltage Rating	120V/60Hz/15A
Connected Load (kW Rating) @ 120 Volts†	1.4
Amps @ 120V	12
Watts @ 120 Volt Input	1600
Frequency (Mhz)	2450
Product Weight (Approx.)	50 Lbs.
Shipping Weight (Approx.)	62 Lbs.

* Ventilation is convertible to be either ducted outside, or recirculated inside requiring no ducting.

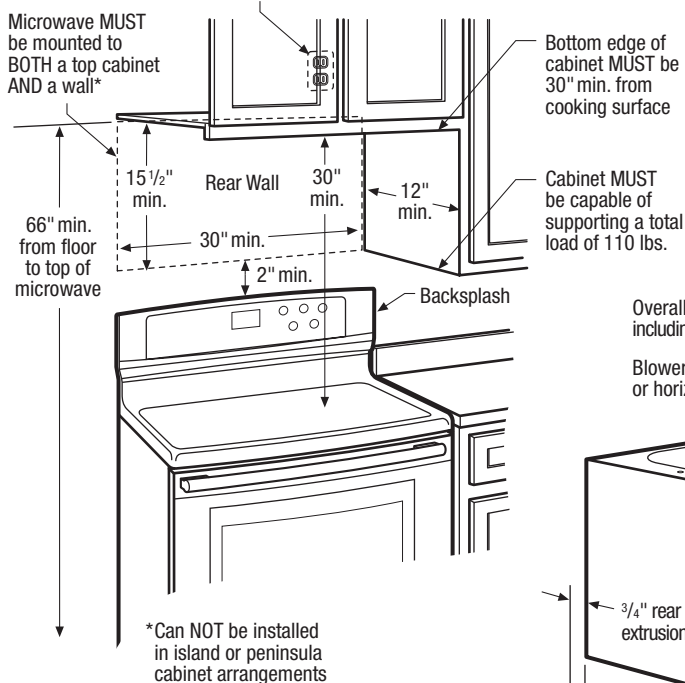
† For use on adequately wired 120V, dedicated circuit having 2-wire service with a separate ground wire. Appliance must be grounded for safe operation.

NOTE: Always consult local and/or national electric codes. Refer to Product Installation Guide for detailed installation instructions on the web at www.electroluxappliances.com.

Specifications subject to change.

Locate 120V/60Hz grounded outlet inside upper cabinet

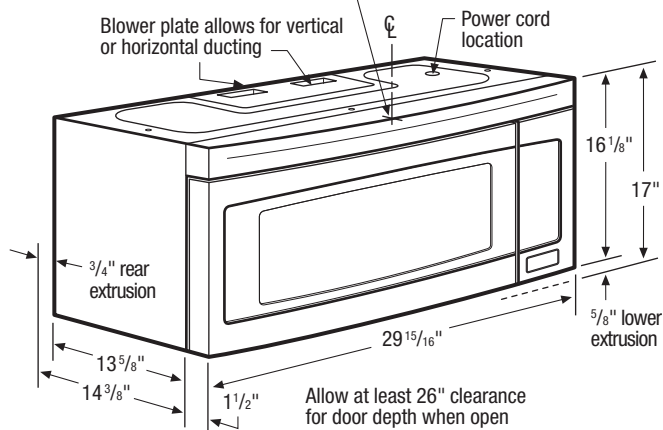
Microwave MUST be mounted to BOTH a top cabinet AND a wall*



Overall depth at center of arc including rear extrusion – 16 5/8"

Blower plate allows for vertical or horizontal ducting

Power cord location



30" Over-the-Range Microwave Specifications

- Product Weight – 50 Lbs.
- Voltage Rating – 120V/60Hz/ 15 Amps
- Connected Load (kW Rating) @ 120 Volts = 1.4kW
(For use on adequately wired 120V, dedicated circuit having 2-wire service with a separate ground wire. Appliance must be grounded for safe operation.)
- Amps @ 120 Volts = 12 Amps
- Always consult local and/or national electric codes.
- Grounded outlet should be located in cabinet above, with hole in base to route power cord. Carefully follow top template instructions for power cord clearance when installing beneath smooth, flat cabinets.
- Microwave's ventilation system is convertible, designed for two types of exhaust – outside, using either vertical or horizontal ducting; or recirculating, requiring no ducting.
- For safe and proper installation, microwave MUST be mounted to BOTH a top cabinet AND a wall, and connected to at least one wall stud. Can NOT be installed in island or peninsula cabinet arrangements.
- Cabinet bottom MUST be level to insure proper installation.
- Cabinet MUST be capable of supporting a total load of 110 lbs.
- Filler blocks recommended for installation when cabinet front hangs below recessed bottom shelf.
- Minimum distance of 30" required from cooking surface to bottom edge of top cabinet.
- Minimum distance of 66" required from floor to top of microwave.
- Opening between cabinets MUST be 30" wide and free of obstructions. For openings up to 36" wide, order optional 36" Filler Panel Kit to fill in gap between unit and cabinets.
- Allow 26" minimum clearance for 90° door swing.

Ducted Option Specifications

- For outside ventilation only.
- Exhaust duct adapter will be needed for outside ventilation, to mate with standard 3-1/4" x 10" rectangular duct. If round duct required, rectangular-to-round transition adapter will be needed with no less than 6" diameter.
- For most efficient airflow exhaust, use a straight run or as few elbows as possible with a maximum duct length of 3-1/4" x 10" rectangular or 6" diameter round duct, not to exceed 140 equivalent feet.
- For horizontal installation, be sure to allow enough space between wall studs to accommodate exhaust.
- Refer to web for detailed duct preparation instructions.

Ductless (Recirculated) Option Specifications

- If ducting to outside is not an option, ventilation system can be converted to ductless to recirculate air inside.
- Refer to web for detailed convertible ventilation installation instructions.

Note: For planning purposes only. Refer to Product Installation Guide on the web at electroluxappliances.com for detailed instructions.

Optional Accessories

- 36" Filler Panel Kit: S – (5304463784), W – (5304463782), B – (5304463783).