

Electric Built-In Ranges

EW30ES65G S, EW30ES65G W, EW30ES65G B

Featuring Wave-Touch™ Electronic Controls



Flex-2-Fit™ System

Premium smoothtop cooking with triple-ring expandable, double-ring expandable and single-ring elements fits all pots and pans.



Sure-2-Fit™ Convection Oven with Hidden Bake Element

Adjustable Luxury-Glide™ oven racks are so smooth and extend effortlessly. Luxury-Design™ Lighting ramp-up designer halogen lighting is as beautiful as it is functional. Exclusive Luxury-Hold™ oven door stays put at whatever angle you place it.



Baking Options

Features 7 cooking modes and 10 cooking options including our exclusive Perfect Turkey™ button for large holiday meals. Perfect Convection™ Third Element European Convection System features a variable 2-speed fan for more even cooking.



Perfect Pair™ Oven

Our ranges feature a large main oven and a second oven for the utmost cooking capacity. Use both simultaneously to cook two different items at two different temperatures.

30" ELECTRIC BUILT-IN RANGES

Sabbath Mode (Star-K® Certified)	Yes
----------------------------------	-----

Control Panel Features

Wave-Touch™ Electronic Oven Control	Yes
Perfect Set™ Element Controls	Yes
Keypad Entry of Time & Temperature	Yes
Electronic Clock & Timer	Yes
Temperature Display	Yes
Automatic Oven (Delay, Cook & Off)	Yes

Cooktop Features

Flex-2-Fit™ Ceramic Glass Smoothtop	Yes
6" to 9" to 12" Triple Expandable Element – 1000W/2000W/2700W	1
6" to 9" Dual Expandable Element – 1600W/3000W	1
5" to 7" Dual Expandable Element – 750W/1800W	1
6" Electric Element – 1200W	2
Hot-Surface Indicator Light	Yes
Surface Controls	Yes

Oven Features

Capacity	4.2 Cu. Ft.
Hidden Bake Element	Yes
Eight-Pass Bake Element – 2500 Watts	Yes
Eight-Pass Broil Element – 4000 Watts	Yes
Convection Element – 2500 Watts	Yes
Cobalt Blue Interior	Yes
Self-Clean Options with Door Lock	3
Perfect Convection ³ ™ with Variable 2-Speed Fan	Yes
Cooking Modes – Bake, Broil, Convection Bake, Convection Roast, Convection Broil, Keep Warm, Slow Cook	7
Cooking Options – Perfect Turkey™, Defrost, Dehydrate, Bread Proof, My Favorites, Multi-Stage Cooking, Temperature Probe, Rapid Preheat, Delay Bake, Convection Convert	10
Luxury-Design™ Lighting with Dual 40W Halogen Bulbs	Yes
Luxury-Glide™ Racks	2
Conventional Racks	1
Convection Roasting Rack	Yes

Additional Features

Luxury-Hold™ Oven Door	Yes
Extra-Large Glass Window	Yes
Perfect Pair™ Lower Oven	Yes
Adjustable Leveling Legs	Yes

Accessories

Porcelain Broiler Pan and Insert	Included
Cleaning Sponge	Included
Rear Filler Kit, Side Panel Kit, Backguard Kit, Side Trim Kit – See Back for Part Numbers	Optional

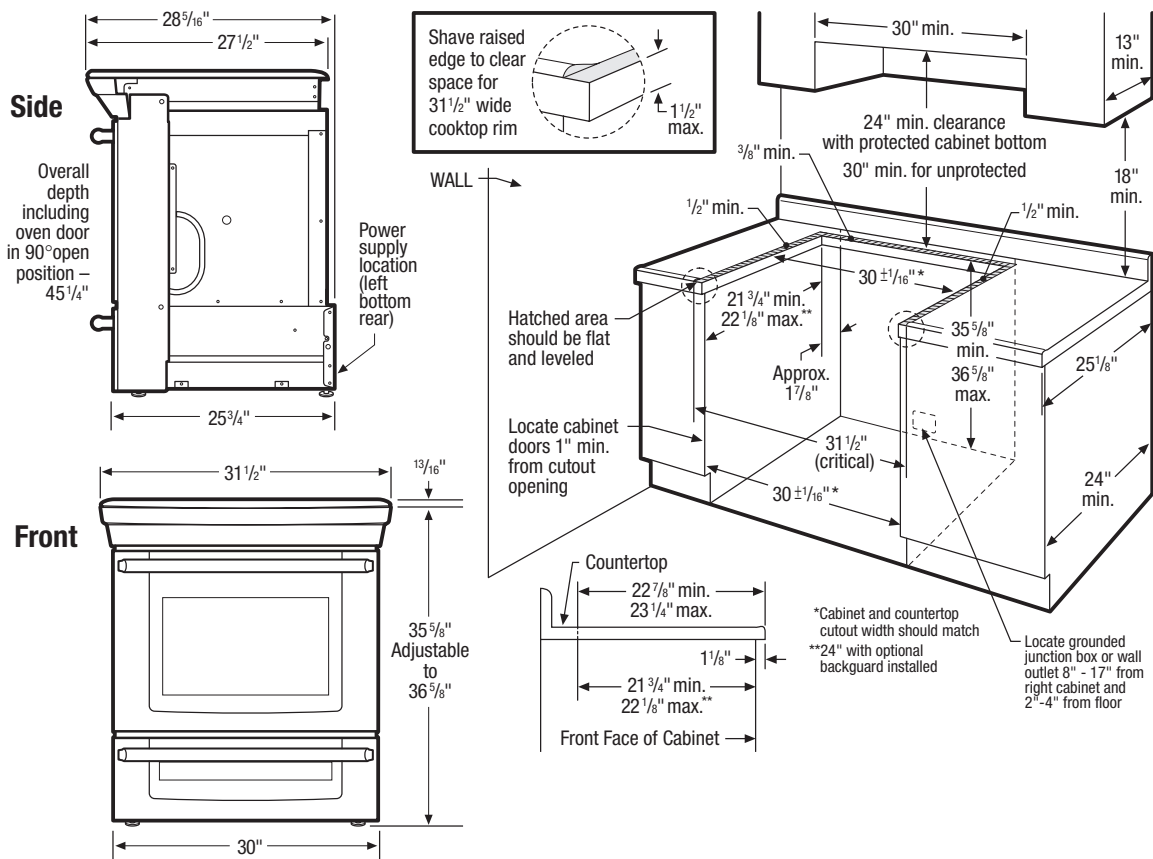
Color / UPC (0-57112-)

Stainless Steel (S)	09700-8
White (W)	09860-9
Black (B)	09694-0

Specifications

Oven Cavity Dimensions –	
Height	16-1/2"
Width	24-1/8"
Depth	18-1/32"
Overall Exterior Dimensions –	
Height (Adjustable)	36-7/16" – 37-7/16"
Width	31-1/2"
Depth (to Center of Arc) (with 90° Door Open)	28-5/16" / 45-1/4"
Power Supply Connection Location	Left Bottom Rear
Connected Load (kW Rating) @ 240/208 Volts	14.5/10.9
Amps @ 240/208 Volts	60.5/52.4
Minimum Circuit Required (Amps)	50
Product Weight	238 Lbs.
Shipping Weight (Approx.)	258 Lbs.

NOTE: Always consult local and/or national electric codes. Refer to Product Installation Guide for detailed installation instructions on the web at www.electroluxappliances.com. Specifications subject to change.



30" Electric Built-In Range Specifications

- Product Weight – 238 Lbs.
- Single phase 3- or 4-wire cable, 120/240 or 120/208 Volt, 60 Hertz, fused on both sides of line with ground. (If local code permits, range may be connected by hard-wiring or by means of power supply cord kit.)
- Connected Load (kW Rating) @ 240/208 Volts = 14.5/10.9 kW
- Amps @ 240/208 Volts = 60.5/52.4 Amps
- Recommended Circuit Breaker – 50 Amps
- Always consult local and/or national electric codes.
- Countertop MUST be level in all directions and adjustable range height at least 1/16" greater than tallest cabinet height, to ensure metal rangetop flange will fit properly on countertop edge.
- When installing optional Backguard Kit, cutout depth of 21-3/4" minimum / 22-1/8" maximum needs increased to 24".
- Overhead cabinetry should not exceed a 13" maximum depth.
- Absolute minimum horizontal distance between overhead cabinets installed to either side of appliance must be no less than maximum width of appliance.
- Allow 24" minimum clearance between rangetop and bottom of cabinet when bottom of wood or metal cabinet is protected by not less than 1/4" flame-retardant millboard covered with not less than No. 28 MGS sheet steel, 0.015" stainless steel, 0.024" aluminum or 0.020" copper. Allow 30" minimum clearance when cabinet is unprotected.
- To reduce risk of fire when using overhead cabinetry, install range hood that projects horizontally a recommended minimum of 5" beyond bottom of cabinets.

Countertop Preparation

- For detailed preparation instructions, refer to installation guide on the web.
- Flat square-finish (flat) countertop requires no preparation since rangetop flange lays directly on countertop edge.
 - Formed front-edged countertops require front molded edge to be shaved flat 3/4" from each front corner of opening.
 - Tile countertops may need cut back 3/4" from each front corner of opening and/or rounded edge flattened.
 - For existing cutout width greater than 30-1/16" reduce the 3/4" overlap dimension or for cutout width of 29", replace actual side trim panels with smaller side trim panels, available with optional Side Filler Kit (refer to detailed kit installation instructions).

Note: For planning purposes only. Refer to Product Installation Guide on the web at electroluxappliances.com for detailed instructions.

Optional Accessories

- Rear Filler Kit: S – (903113-901S), W – (903113-9011), B – (903113-9010).
- Side Panel Kit: S – (903102-901S), W – (903102-9011), B – (903102-9010).
- Backguard Kit: S – (903111-901S), W – (903111-9011), B – (903111-9010).
- Side Trim Kit: S – (903110-901S), W – (903110-9011), B – (903110-9010).