

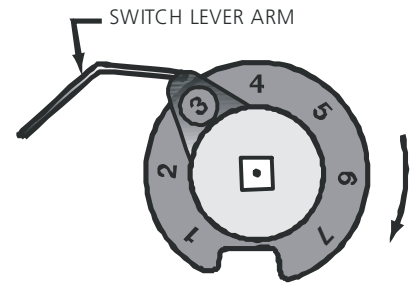
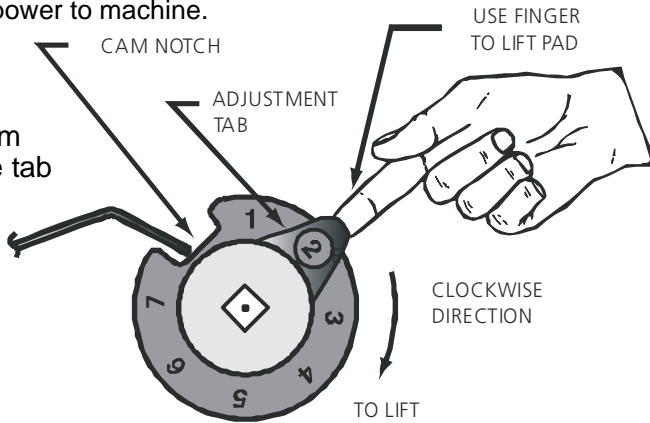
# Meter Case Instructions

## INSTRUCTIONS TO CHANGE THE NUMBER OF COIN SLIDE INSERTIONS TO START APPLIANCE.

1. Disconnect power from machine.
2. Turn Shaft & Cam Assembly in a clockwise direction until switch lever arm drops into cam notch (Fig. 2).
3. Lift Adjusting Tab away from cam with finger and turn Tab to desired number. Make sure Tab locks into place in new position.
4. Turn Shaft & Cam Assembly in a clockwise direction until switch lever arm is on top of Tab to assure that both mechanism switches are open (Fig. 3).
5. Reconnect power to machine.

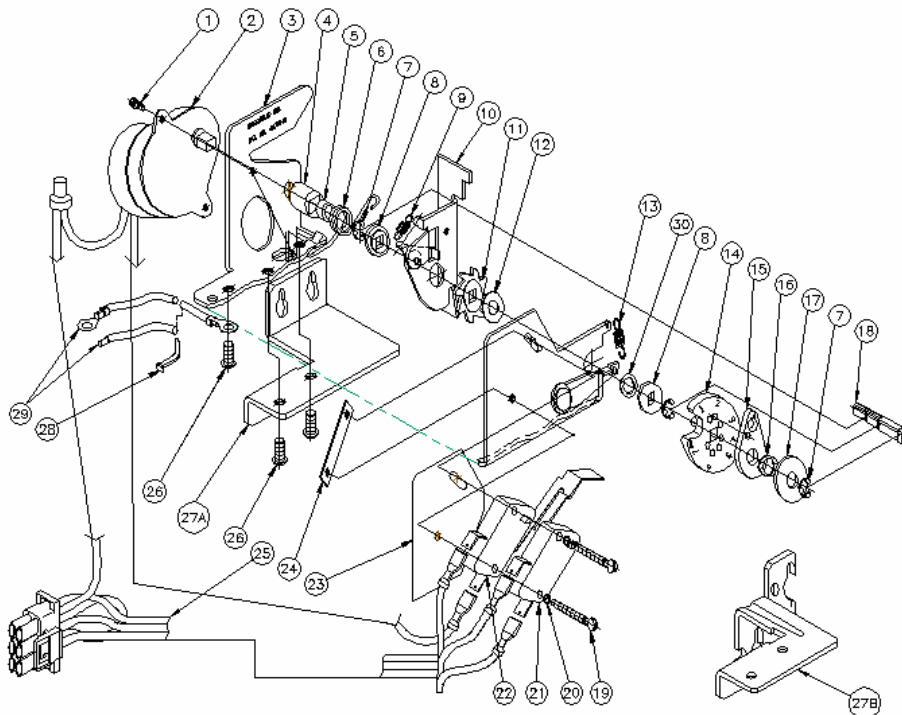
### EXAMPLE:

To change from \$1 to \$2 move tab from 1 to 2.



FIGURE

## Parts List for series 7682 "Quick-Change" Start Mechanism



Item 27A: Models 76-1030-21 (115v-60Hz),  
76-1030-22 (230v-60Hz)  
Item 27B: Models 76-1030-11 (115v-60Hz),  
76-1030-12 (230v-60Hz)

ITEM	REQ'D	PART NO	DESCRIPTION	ITEM	REQ'D	PART NO	DESCRIPTION
1	2	00-7185	#4-40 SELF-TAPPING SC.	18	1	76-2026	DRIVE SHAFT
2	1	76-6009-*	TIMER MOTOR ASS'Y	19	2	00-7458	#4-40 3/16 PAN HD SC.
3	1	76-1037	SWITCH & BRACKET SUB-ASS'Y	20	2	00-7097	#4 SPLIT LOCKWASHER
4	1	76-5014	DRIVE SLEEVE	21	1	00-6189	SNAP SWITCH
5	1	76-2033	SLEEVE	22	1	00-6190	SNAP SW. & LEVER ARM ASS'Y
6	1	00-8149	TORSION SPRING	23	1	76-5009	SWITCH INSULATOR
7	3	00-7070	RETAINING RING	24	1	76-2035	NUT PLATE
8	2	76-5013	DRIVE BUSHING	25	1	76-6000	WIRE HARNESS ASS'Y
9	1	00-8003	SPRING	26	2	02-0810-00	#8-32x5/16 SEMS SCREW
10	1	76-1036	RACHTET ARM & PAWL ASS'Y	27A	1	76-2059	MOUNTING BRACKET
11	1	76-5017	RACHET WHEEL	27B	1	76-2027	MOUNTING BRACKET
12	1	76-2003	WASHER	28	1	59-0314	CABLE TIE
13	1	59-204	SPRING	29	1	58-172-*	GROUND WIRE
14	1	76-5012	CAM	30	1	00-7558	WASHER
15	1	76-5010	ADJUSTER TAB				
16	1	00-7055	SPRING WASHER				
17	1	00-7047	WASHER				

## CHANGING THE VEND PRICE ON A GREENWALD V8 COIN CHUTE

### CHANGING THE PRICE OF A V8 COIN CHUTE ID# 20-3000

1. Remove slide return spring (#15).
2. Remove slide stop (#22).
3. Remove slide (#12) from chute.
4. Turn slide upside down and remove screw (#38). DO NOT REMOVE COIN RECEIVER BLOCK.
5. Turn slide and block right side up and lay on a flat surface.
6. Lift slide clear of block and set aside.
7. To change prices, add or remove blockout keys (#24) or inserts (#20).
8. Replace coin receiver block into slide and reinstall into coin chute.
9. FOR 10¢ PRICING:
  - A. Remove top housing (#3).
  - B. Install correct coin sizing block (#31) or (#36).
  - C. Reinstall top housing and return spring.
10. Install appropriate price decals (#10 & #13).

### CHANGING THE PRICE OF A V8 COIN CHUTE ID# 20-3020

#### A. TO CHANGE 25¢ PRICING

1. Remove slide return spring (#15).
2. Place coin(s) in coin slot(s) and push slide all the way forward.
3. Remove buffer (#28).
4. Turn coin chute upside down and install or remove the required number of blockout keys (#24). Remove keys to increase vend, add keys to lower vend.
5. Reassemble buffer.
6. Pull slide back to original position and reassemble slide return spring.
7. Install appropriate price decals (#10 & #13).

#### B. TO CHANGE 10¢ PRICING

1. Follow Steps 1, 2, 3, 4 in A above.
  2. Turn coin chute upside down. Install or remove required number of blockout keys (#24). Install or remove 10¢ insert (#20) into left hand slot of slide (right hand slot with slide turned upside down).
  3. Reassemble buffer and pull slide back.
  4. Remove top housing (#3).
  5. Remove two screws (#2) and coin sizing block (#5). Install 10¢ coin sizing block (#31).
  6. Reassemble top housing and return spring.
  7. Install appropriate price decals (#10 & #13).
- For additional information online use website, [www.greenwaldindustries.com](http://www.greenwaldindustries.com)

#### V8 Parts List

Item Description Required Part Number

1 SCREW (METRIC) 2 00-9724

2 SCREW (METRIC) 2 00-7938

3 TOP HOUSING 1 20-3019

4 SHIM 2 20-2042

5 COIN SIZING BLOCK 1 20-3006

6 GATE COVER 1 20-2043

7 GATE 1 20-2035

8 SLIDE STOP DOG 8 20-2011

9 DOG SHAFT 1 20-4004

10 DECAL,CASTING 1 00-9905

11 BODY CASTING 1 20-3020

12 COIN SLIDE 1 20-3021

13 DECAL, SLIDE 1 00-9104

14 CHUTE LOCATING SCREW 4 00-7483

15 SLIDE RETURN SPRING 1 00-8148

16 SPRING 1 20-2040

17 SPRING PROTECTOR 1 20-2038

18 RACK 1 20-2023

19 SCREW (METRIC) 2 00-7931

20 10¢ INSERT varies 20-3023

21 SCREW (METRIC) 2 00-7923

22 SLIDE STOP 1 20-2039

23 RATCHET DOG SPRING 1 00-8123

24 BLOCKOUT KEY varies 20-5002

25 SLIDE RATCHET DOG 1 20-2041

26 SCREW (METRIC) 2 00-7935

27 BUFFER 1 20-2034

28 RATCHET DOG POST 1 20-4005

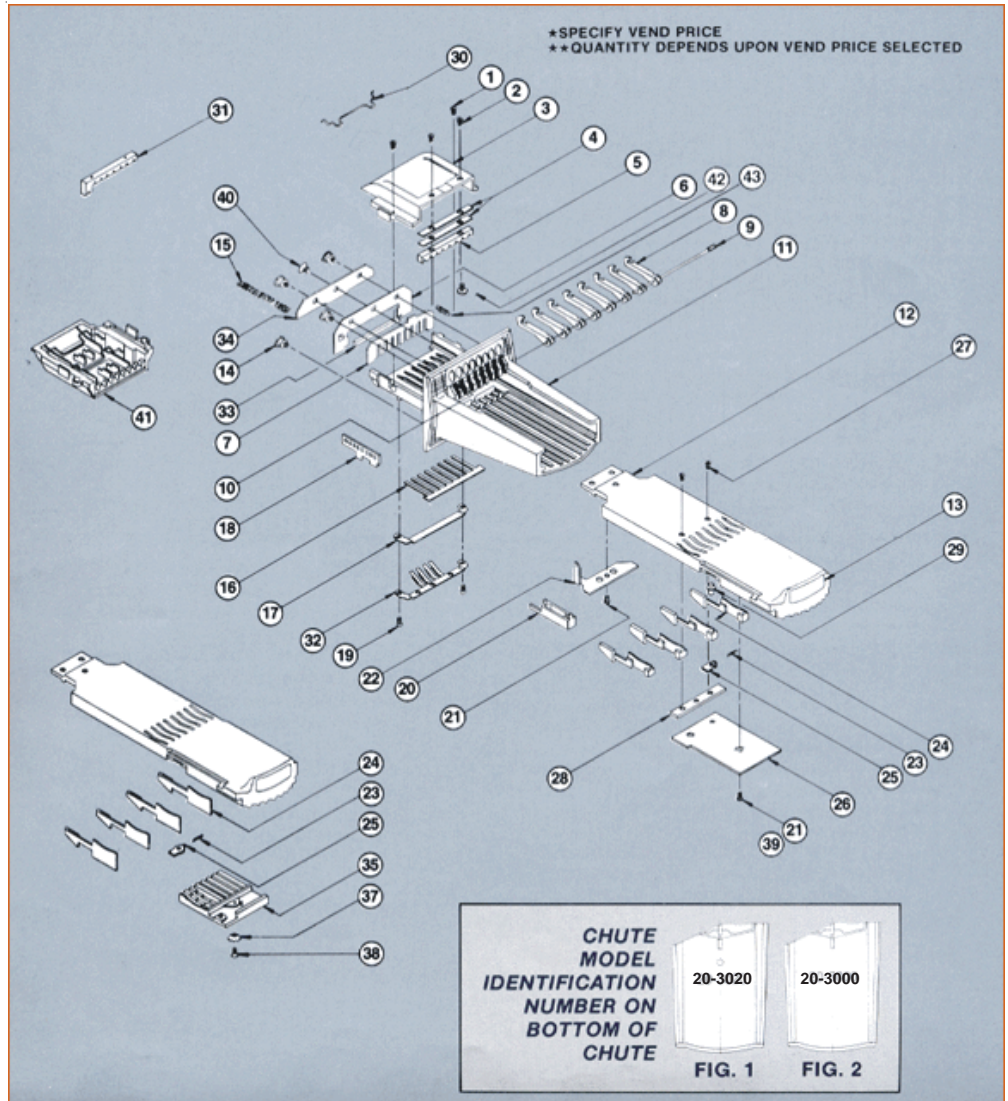
29 COIN RETAINER optional 00-8168

30 COIN SIZING BLOCK varies 20-3007

31 5¢ INSERT varies 27-5011

32 10¢ INSERT varies 20-3023

\*SPECIFY VEND PRICE  
\*\*QUANTITY DEPENDS UPON VEND PRICE SELECTED



CHUTE MODEL IDENTIFICATION NUMBER ON BOTTOM OF CHUTE

FIG. 1 20-3020

FIG. 2 20-3000

33 COIN SIZING BLOCK (5¢) varies 27-3008

34 COIN SIZING BLOCK (10¢) varies 27-3007

35 COIN SIZING BLOCK (5¢ x 10¢) varies 27-3009

36 COIN SIZING BLOCK (10¢ x 10¢) varies 27-3010

37 SCREW (METRIC) varies 00-7936

38 SIZING PLATE HOUSING —

39 SIZING PLATE (25¢) —

40 SIZING PLATE (\$1.00) —

41 INSERT (25¢) —

42 MAGNET optional 00-9255

43 PRESSURE SPRING ASSEMBLY optional 27-1016

44 SCREW optional 00-7541

45 TOP HOUSING ASSEMBLY (U.S.) optional 27-1027-1

46 TOP HOUSING ASSEMBLY (Canada 0-\$2.75) —

47 SPRING