

Frigidaire

Factory Parts Catalog

Product No.	FCCW3000ES0
Series	Frigidaire
Market	Commercial
Color	white
Volts	120
Wiring Diagram	134581100
Installation Instructions	134589200



Electrolux Major Appliances
North & Latin America
P.O. BOX 212378
AUGUSTA, GA 30917

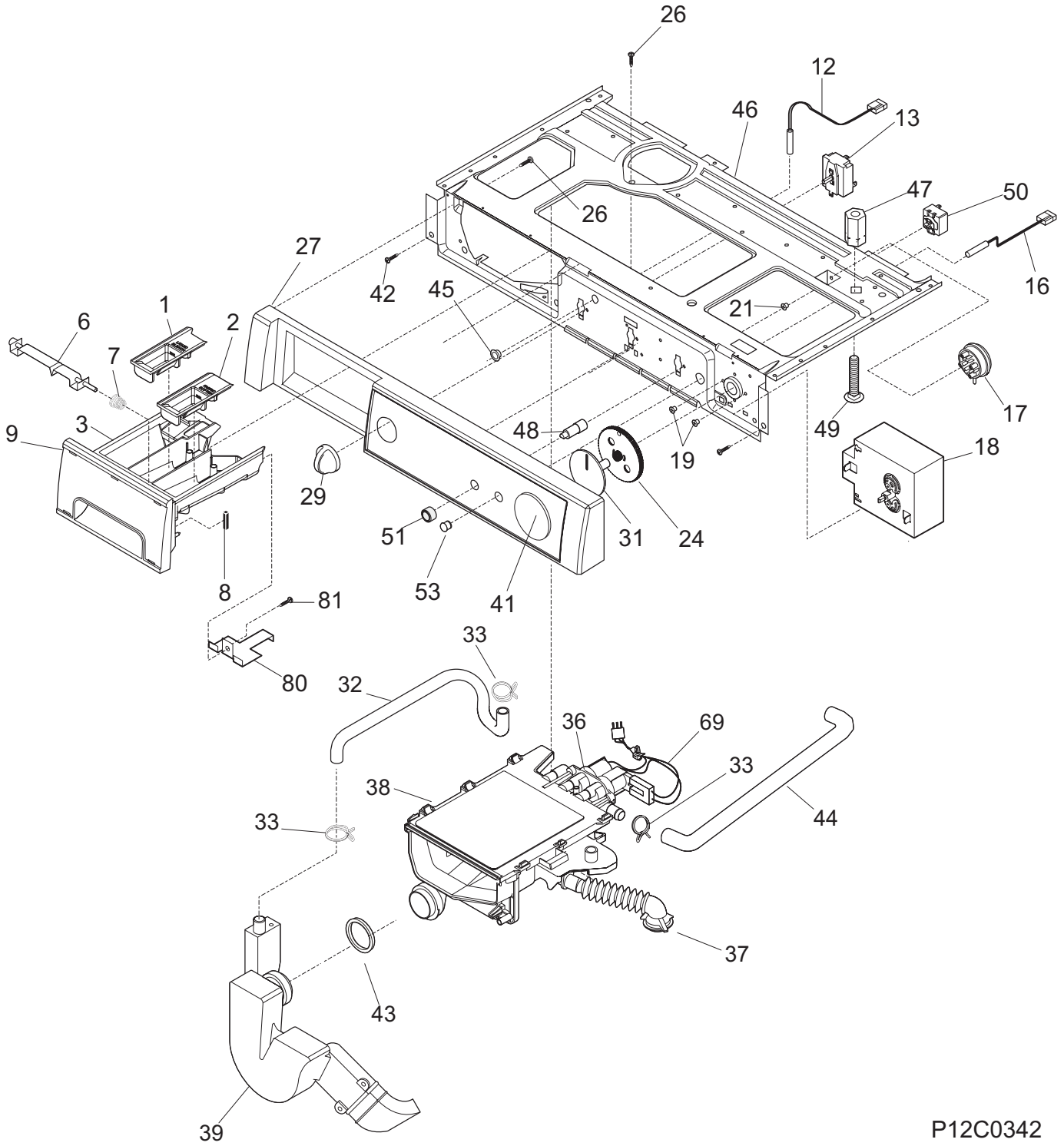
Publication No.
5995456067
05/12/13
(EN/SERVICE/KC)
361

**FRONT-LOAD
WASHING MACHINE**

Model No.
FCCW3000E

Copyright © 2005 Electrolux Home Products, Inc.
All rights reserved.

CONTROL PANEL

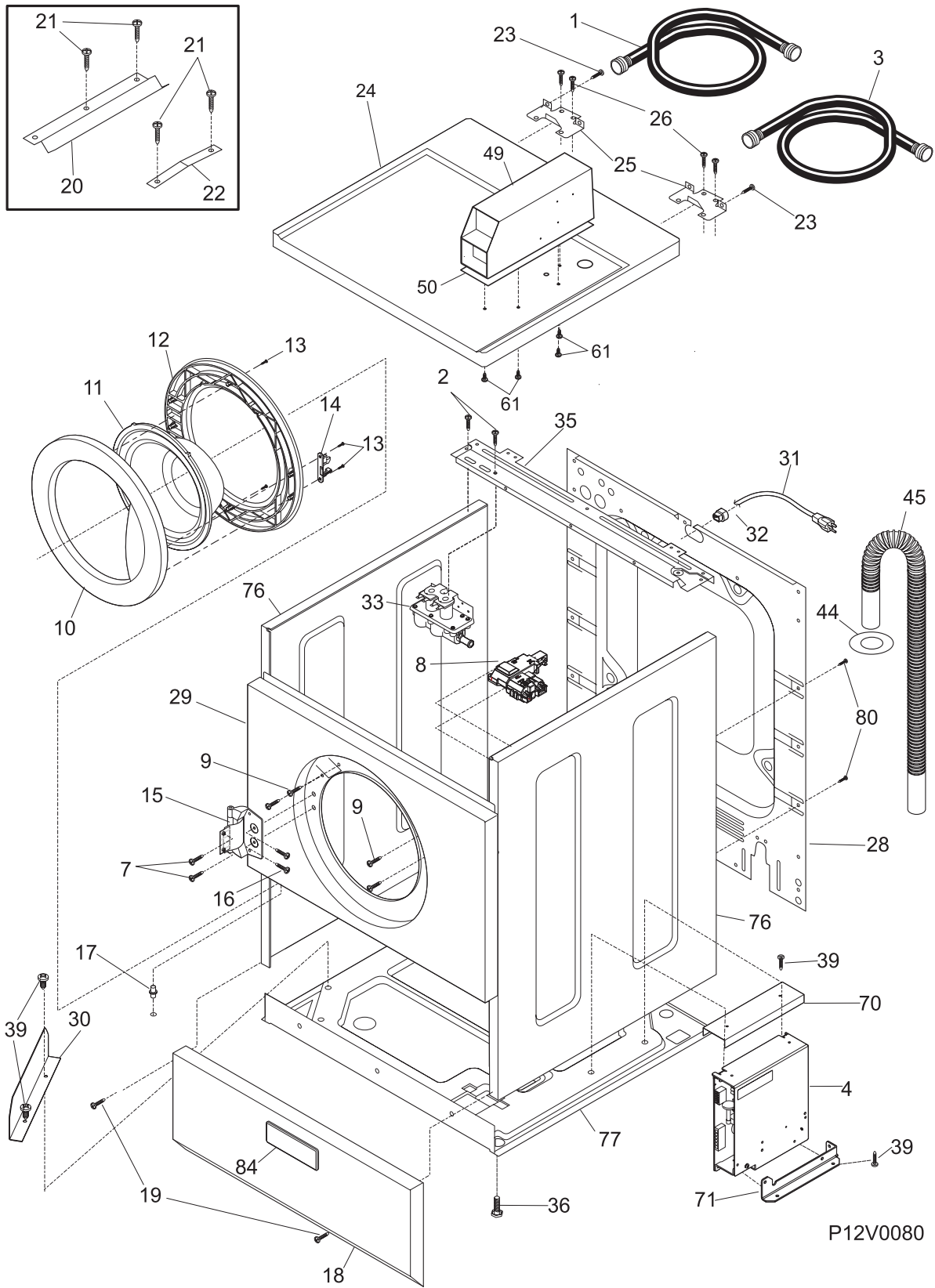


P12C0342

CONTROL PANEL

POS. NO	PART NO.	DESCRIPTION
1	131272100	Cover, bleach
2	131272000	Cover, softener
3	131271910	Drawer, dispenser
6	131374500	Latch, disp drawer hdl
7	131427500	Spring
8	131373800	Magnet
9	131691266	Handle/Drawer Assy, w/trim
12 #	131505902	Switch, reed
13 #	131656600	Switch, water temp.
16	131724700	Lamp, status light
17 #	134433701	Switch, pressure
18 #	134568800	Timer
19	131243800	Screw, pan hd locking, 8-32CA x 0.375, cup point
21	131243700	Screw, pan head, 8-18AB x 0.375, cr/sq drive
24	134549100	Cam, timer
26	131823400	Screw, 8-18 x 2.00
27	131691033	Console, frame/trim assy
29	131264500	Knob, rotary, white
31	134549201	Dial, timer indicator
32	131786100	Hose, siphon/valve
33	131306216	Clamp
36 #	131974700	Valve, dispenser, w/seal
37	131271600	Hose, tub
38	131803710	Dispenser Assy
39	131863300	Siphon
39*	131307900	Clamp, siphon/bellows
41	131696601	Lens, timer pointer
42	131168200	Screw, pan head, 8-18B x 0.31
43	131749200	Gasket, seal
44	131786000	Hose, dispenser
45	5303321107	Bushing, idler
46	134191412	Panel, control mtg., wing bend
*	131931201	Dampener, vibration, 3.5 x 2 x 2 in., foam
47	131981900	Spacer, security
48	131686000	Extension, switch shaft, push-to-start
49	131686601	Bolt, carriage, 3/8-16 x 3.50
50 #	131048000	Switch, push-to-start
51	131970200	Button, push/start, white
53	131724800	Lens, status light, clear
69 #	134580400	Wiring Harness, main
80	131734300	Catch, drawer
81	131302800	Screw, 10-16AB x 0.375

CABINET/TOP



P12V0080

CABINET/TOP

POS. NO	PART NO.	DESCRIPTION
1	131279602	Hose, water inlet, cold
2	131168200	Screw, pan head, 8-18B x 0.31
3	131279603	Hose, water inlet, hot
4 #	134149200	Controller Assy, speed, w/base & shield
7	131205300	Screw, 10-16 x 0.750
8 #	131763200	Door Lock/Switch Assy
9	131303300	Screw, pan head, 10-16AB x 0.500, locking
10	131278700	Frame, outer door, white
11	131278800	Panel, door glass
12	131278900	Frame, inner door, white
13	131302901	Screw, 10-16 x 0.750
14	131763310	Striker, door/lock/sw
15	134264600	Hinge, door
16	131696300	Screw, quad pan head, 10-16 x 0.312
17	131346400	Pin, panel locator
18	131279300	Panel, service, white, front
19	131358400	Screw, hex washer hd, 8-18AB x 1.125
20	131460900	Bracket, top panel mtg., front
21	131243700	Screw, pan head, 8-18AB x 0.375, cr/sq drive
22	131279500	Retainer, spring steel
23	131243800	Screw, pan hd locking, 8-32CA x 0.375, cup point
24	134086852	Panel, white, top, coin-op
25	131668200	Bracket, top panel mtg.
26	131662200	Screw, 8-18AB x 0.500, 6 lobe
28	131978500	Panel, back
29	131752030	Panel, cabinet front, white
30	131859600	Shield, overflow
31 #	134501000	Power Cord, electric svce
32	5303209428	Bushing, power cord
33 #	5303207418	Valve, water
35	131732902	Bracket, reinforcement, top rear
36	131841600	Leveling Leg Assy, bolt, pad & nut
39	134178901	Screw, 8-18AB x 0.455
44	131707800	Ring, drain hose
45	134049200	Hose, drain
49 #	134308600	Housing, meter assy, white, coin box
50	134028000	Gasket, meter housing
61	131901700	Screw, mc n point, 1/4-20, (4)
70	134048600	Shield, drip protector
71	134048400	Base, controller mtg
76	134390701	Panel, side, white, RS/LS, (2)
77	131458240	Base Plate
80	134547800	Screw, 10-16AB x 0.375
84	297073400	Nameplate, Commercial, stainless
*	5303937142	Shipping Brace Kit

MOTOR/TUB

POS. NO	PART NO.	DESCRIPTION
3	131793302	Bolt, carriage, 1/4-20 x 4.00
6	131975300	Counterweight, one piece
7	131277300	Spring, boot retainer
8	134177600	Bellows, door boot
10	131304700	Nut, hex, 1/4-20 UNC-2B, (2)
11	131276900	Washer, Bellville, spring steel
12	131793500	Plate, counterweight
13	131618600	Shell, outer tub, front
14	134144700	Spring Assy, suspension, w/sleeves
14*	131592200	Sleeve, protector, upr spring hook
14*	131560000	Sleeve, protector, lwr spring hook
15	131303900	Screw, hex washer head, 1/4-10A x 2.165
16	131618500	Drum Assy, spin basket
17	131274600	Vane
18	131302800	Screw, 10-16AB x 0.375
19 #	131770600	Motor
20	131303500	Screw, 12-14AB x 1.50, motor mtg.
21	134146100	O-ring, tub
22	131462800	Shell, outer tub, rear, with bearing
23	134125900	Counterweight, drum rear
25 #	134051000	Belt, drive, 6-rib
26 #	131883400	Pulley, drum drive, large, rear
27	131304400	Washer, 0.41 x 1.50, 0.12 thick
28	131304500	Washer, lock, 3/8
29	131303700	Screw, pulley mtg., m10 x 0.92, metric
30	131268200	Shock Absorber, air, stabilizer
31	131268300	Pin, shock mtg.
32	131268100	Bracket, shock mtg.
33	134532200	Screw, 10-16AB x 0.500
35 #	134051100	Pump, drain
41	134044200	Coin Trap
42	131333101	Clamp
43	131277500	Chamber, air
44	131277600	Hose, air pressure
45	131306202	Clamp, hose
48	131306234	Clamp, pump to trap
49	134266500	Clamp, bellows/boot, 0.059 OD wire, spring held
58	134160900	Screw, quadrex, 10-16AB X 0.750

WIRING DIAGRAM

