

FRIGIDAIRE

GALLERY



Side-by-Side Refrigerators

FGHS2669K P/E

26 Cu. Ft. Standard-Depth



Signature Features



Largest Adjustable Crisper Drawers¹

Store more in our adjustable crisper drawers.



SpaceWise™ Organization System

Our SpaceWise™ Organization system makes it easy to keep food organized and easy to find when you need it.



Best-in-Class Ice & Water Filtration²

PureSource Ultra™ Water Filtration offers best-in-class water filtration so you get cleaner, better-tasting water at your fingertips.



Quick Ice³

Quick Ice delivers up to 37 percent more ice.

Powerful Performance

- Quick Freeze
- PureAir Ultra™ Air Filter
- Energy Saver Plus Technology
- Quiet Pack

Performance-Driven Style

- Express-Select™ Controls
- Temp/Door Ajar/Power Failure Alerts
- Designer Lighting
- Tall, 13-Button Water & Ice Dispenser
- Digital Electronic Temperature Controls
- Textured Cabinet

SpaceWise™ Design

Refrigerator -

- 3 Sliding SpillSafe™ Glass Shelves
- Chill Drawer
- 2 Clear Crispers (1 Divided) with 3 Adjustable Humidity Controls
- Wine Rack/Can Dispenser
- 3 Adjustable Clear Gallon Door Bins
- 2 Fixed Clear 2-Liter Door Bins

Freezer -

- 2 Fixed Glass Shelves
- Pizza Shelf
- Tall Plastic Basket
- Regular Basket
- Half Basket
- 4 Fixed White Door Bins
- Tilt-Out Wire Door Shelf

ENERGY STAR®

Sabbath Mode (Star-K® Certified)



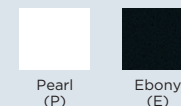
Capacities

Total Capacity	26.0 Cu. Ft.
Refrigerator Volume	16.5 Cu. Ft.
Freezer Volume	9.5 Cu. Ft.

Overall Exterior Dimensions

Height (Including Hinges & Rollers)	69-3/8"
Width	35-5/8"
Depth	31-3/4"

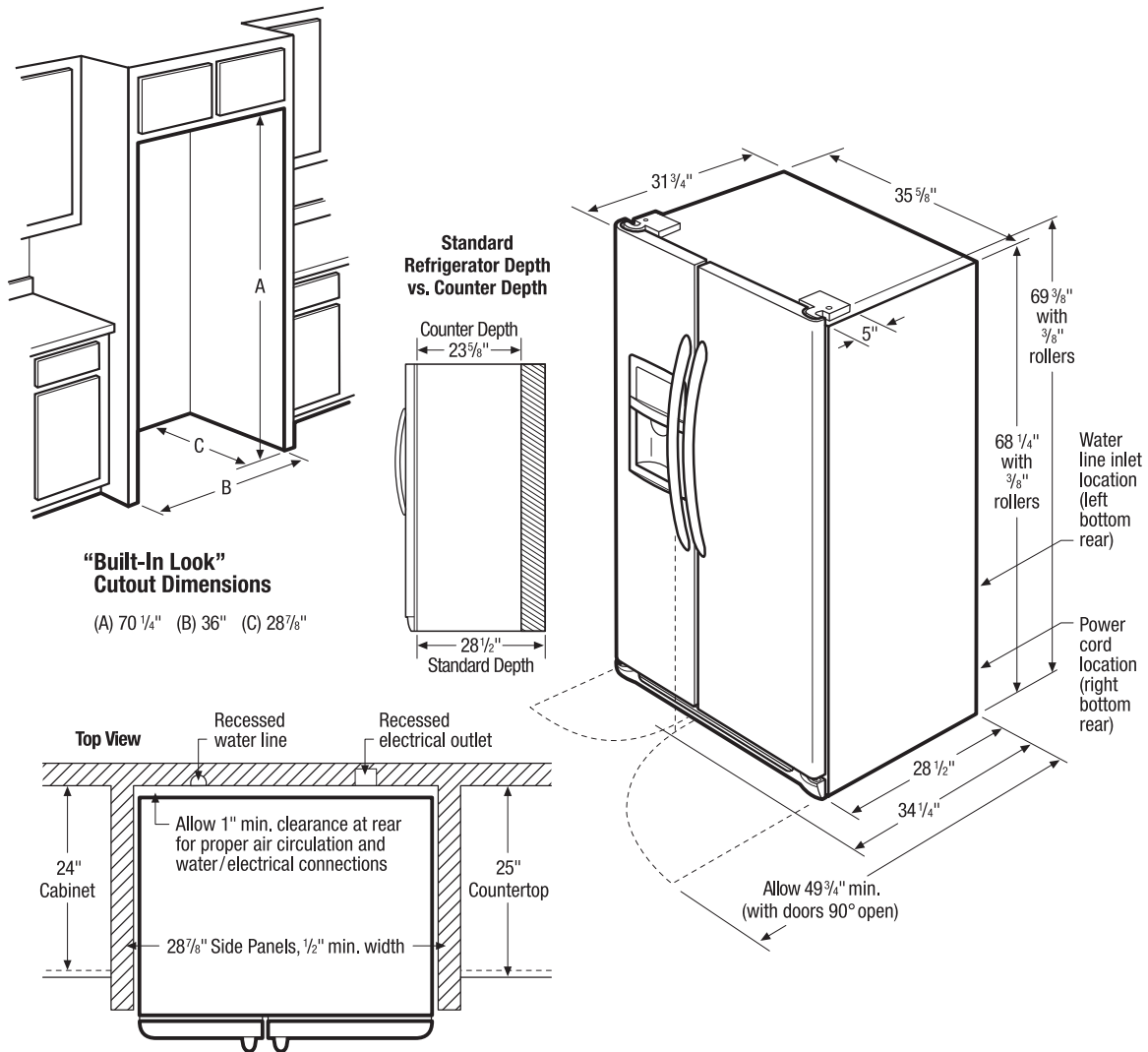
Available in:



¹As compared to other side-by-side models.

²As compared to other consumer refrigeration water filtration systems.

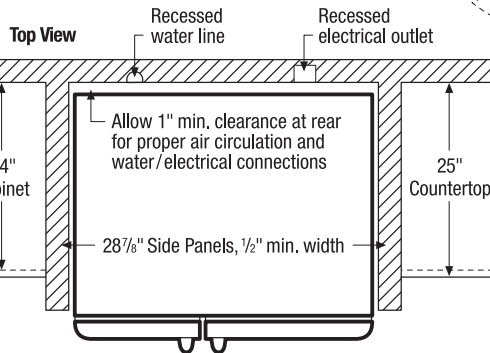
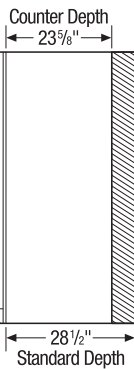
³In a 24-hour period.



**“Built-In Look”
Cutout Dimensions**

(A) 70 1/4" (B) 36" (C) 28 7/8"

**Standard
Refrigerator Depth
vs. Counter Depth**



Side-by-Side Refrigerator Specifications

- Product Shipping Weight (approx.) - 300 Lbs.
- Voltage Rating - 120V/60 Hz/15 or 20 Amps
- Connected Load (kW Rating) @ 120 Volts = 1.02 kW (For use on adequately wired 120V, dedicated circuit having 2-wire service with a separate ground wire. Appliance must be grounded for safe operation.)
- Amps @ 120 Volts = 8.5 Amps
- Always consult local and national electric & plumbing codes.
- Floor should be level surface of hard material, capable of supporting fully loaded refrigerator.
- When installing refrigerator adjacent to wall, cabinet or other appliance that extends beyond front edge of unit, 20" minimum clearance recommended to allow for optimum 120° to 180° door swing, providing complete drawer/crisper access and removal. (*Absolute 4-1/2" minimum clearance will ONLY allow for 90° door swing which will provide drawer/crisper access with restricted removal.*)
- To ensure optimum performance, avoid installing in direct sunlight or close proximity to range, dishwasher or other heat source.
- For proper ventilation, front grille MUST remain unobstructed.

- Recess electrical outlet when possible.
- Water recess on rear wall recommended to prevent water line damage.
- Water Pressure - Cold water line must provide between 30 and 100 pounds per square inch (psi).
- Copper tubing with 1/4" O.D. recommended for water supply line with length equal to distance from rear of unit to household water supply line plus 7 additional feet. Optional Water Supply Installation Kits available.
- Adjustable front rollers to assist with door alignment.

“Built-In Look” Specifications

- Minimum opening of 70-1/4" H x 36" W x 28-7/8" D required to allow for ease of installation, proper air circulation, and plumbing/electrical connections.
- Remove all wall/floor molding prior to installation.

Note: For planning purposes only. Refer to Product Installation Guide on the web at frigidaire.com for detailed instructions.