

*Frigidaire*

Factory Parts Catalog

|                    |               |               |               |               |
|--------------------|---------------|---------------|---------------|---------------|
| Product No.        | FGHS2367KB1   | FGHS2367KE1   | FGHS2367KP1   | FGHS2367KW1   |
| Series             | Gallery       | Gallery       | Gallery       | Gallery       |
| Color              | black         | black         | white         | white         |
| Volts              | 115           | 115           | 115           | 115           |
| Wiring Diagram     | 241912901     | 241912901     | 241912901     | 241912901     |
| Owner's Guide      | 241979200     | 241979200     | 241979200     | 241979200     |
| Market             | North America | North America | North America | North America |
| Energy Guide       | 241935569     | 241935569     | 241935569     | 241935569     |
| Service Data Sheet | 240389638     | 240389638     | 240389638     | 240389638     |

 **Electrolux**

Electrolux Major Appliances  
 North & Latin America  
 P.O. BOX 212378  
 AUGUSTA, GA 30917

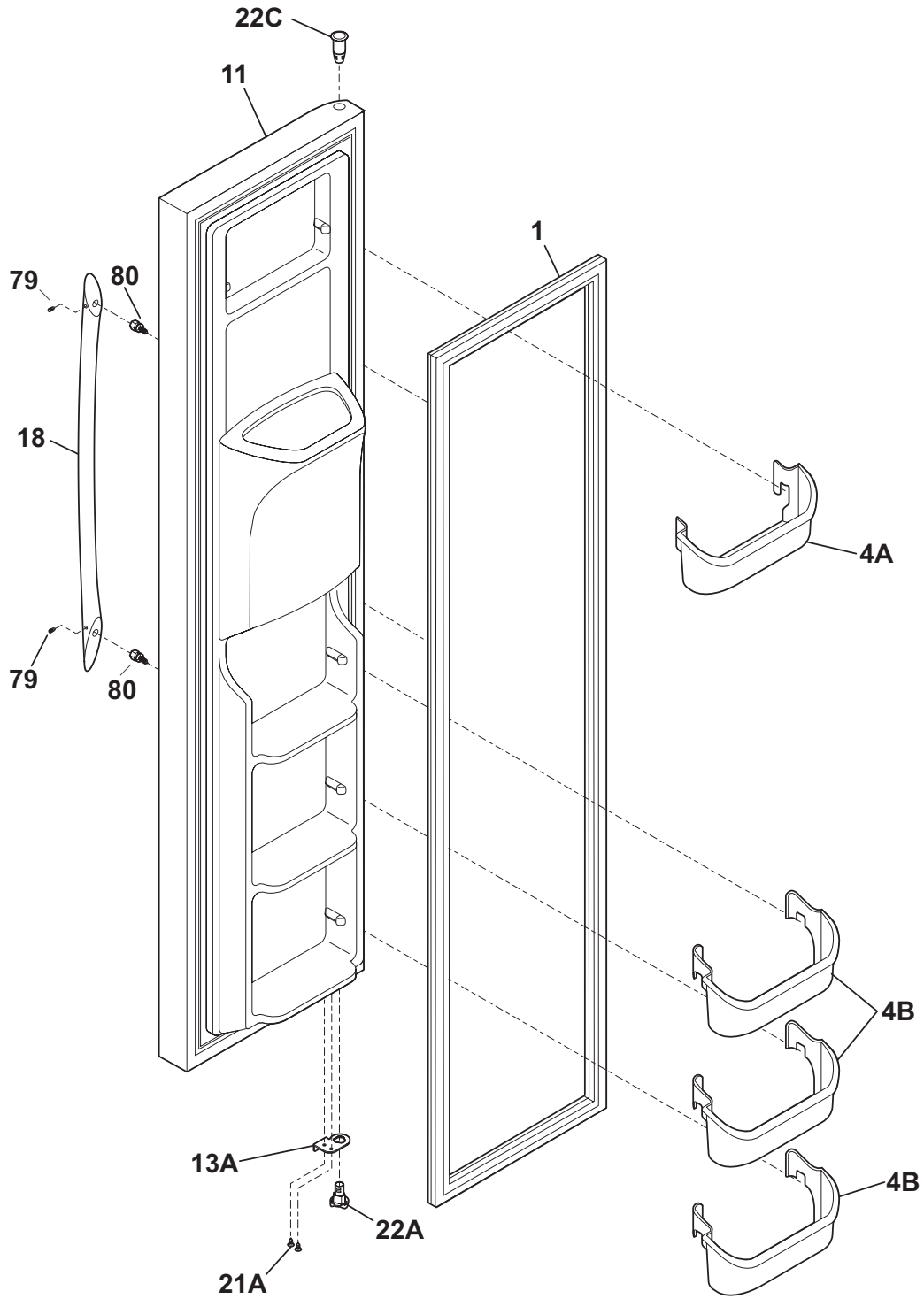
Publication No.  
**5995538419**  
 09/04/17  
 (EN/SERVICE/DCS)  
 137

**SIDE-BY-SIDE  
 REFRIGERATOR**

**Model No.  
 FGHS2367K**

Copyright © 2009 Electrolux Home Products, Inc.  
 All rights reserved.

**FREEZER DOOR**



**F58FFDEAA0**

---

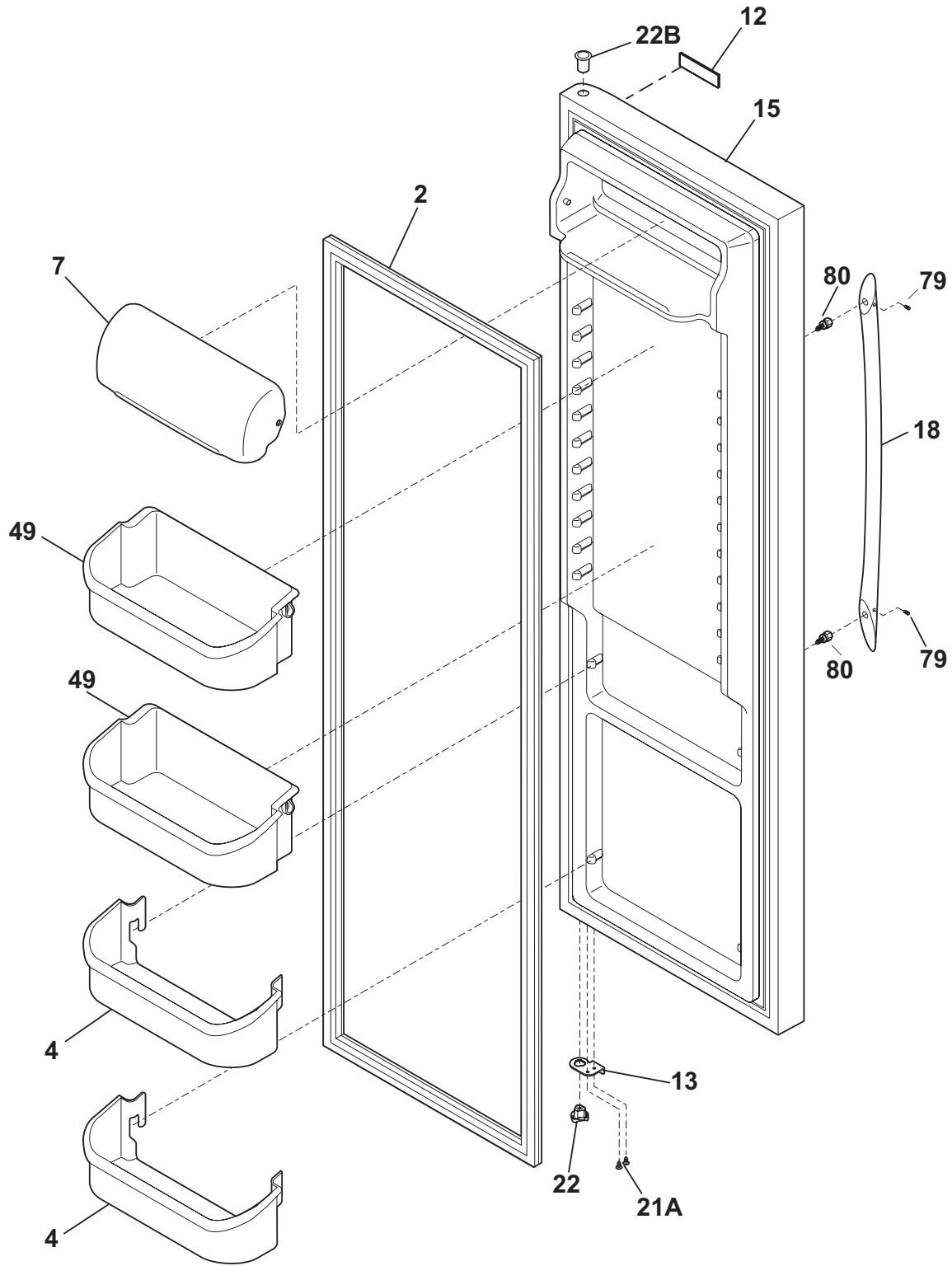
**FREEZER DOOR**


---

*Model Index:* A FGHS2367K (FGHS2367KB1)  
 B FGHS2367K (FGHS2367KE1)  
 C FGHS2367K (FGHS2367KP1)  
 D FGHS2367K (FGHS2367KW1)

| POS. NO | PART NO.   |         | DESCRIPTION                                   |
|---------|------------|---------|---|
| 1       | 241786008  | A B - - | Gasket-frzr door, black, magnetic             |
| 1       | 241786004  | - - C D | Gasket-frzr door, white, magnetic             |
| 4A      | 240367301  | A B C D | Bin-door, frzr-upper                          |
| 4B      | 240359001  | A B C D | Bin-door                                      |
| 11      | 241837197  | A - - - | Door-frzr, black, complete assy               |
| 11      | 241993808  | - B - - | Door-frzr, smooth, black, complete assy       |
| 11      | 241993803  | - - C - | Door-frzr, smooth, white, complete assy       |
| 11      | 241837183  | - - - D | Door-frzr, white, complete assy               |
| 13A     | 241942604  | A B C D | Door Stop, black, frzr                        |
| 18      | 241930103  | A B - - | Handle-door, black                            |
| 18      | 241930102  | - - C D | Handle-door, white                            |
| 21A     | 240442706  | A B C D | Screw-#10-32 X 3/4, zinc                      |
| 22A     | 241990302  | A B C D | Bearing-hinge(frz), closer                    |
| 22C     | 241760402  | A B - - | Bearing, hinge, top                           |
| 22C     | 241760401  | - - C D | Bearing, hinge, top                           |
| 79      | 218755405  | A B C D | Screw-set, 10-32 x 0.650                      |
| 80      | 218755504  | A B C D | Screw-shoulder, #10 AB, handle mounting       |
| *       | 240352102  | A B C D | Connector-water, straight                     |
| *       | 240451503  | A B C D | Screw, ind hex wshr hd, 8-32 x 0.375, trilobe |
| *       | 5303918371 | A B C D | Dispenser heater kit, 115                     |
| * #     | 241834703  | A B C D | Harness-wiring, door                          |

REFRIGERATOR DOOR



N58RFDAAB4

---

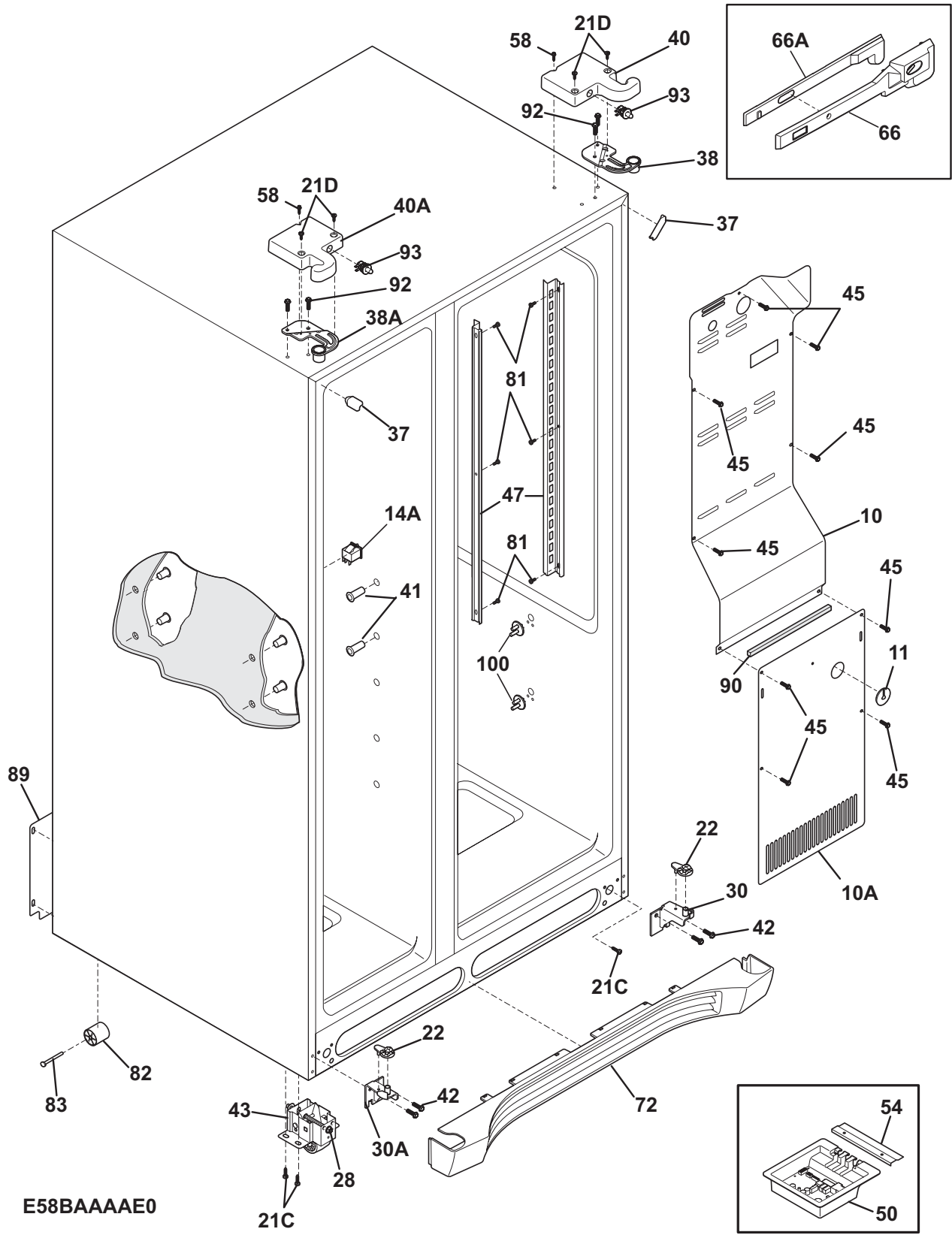
**REFRIGERATOR DOOR**


---

*Model Index:* A FGHS2367K (FGHS2367KB1)  
 B FGHS2367K (FGHS2367KE1)  
 C FGHS2367K (FGHS2367KP1)  
 D FGHS2367K (FGHS2367KW1)

| POS. NO | PART NO.  |         | DESCRIPTION                             |
|---------|-----------|---------|---|
| 2       | 241786007 | A B - - | Gasket-refr door, black, magnetic       |
| 2       | 241786003 | - - C D | Gasket-refr door, white, magnetic       |
| 4       | 240363702 | A B C D | Bin-door, 2-liter                       |
| 7       | 240338303 | A B C D | Door, dairy, clear                      |
| 12      | 242015201 | A B C D | Label-nameplate                         |
| 13      | 241942603 | A B C D | Door Stop, black, ref                   |
| 15      | 241837274 | A - - - | Door-refr, black, complete assy         |
| 15      | 241837283 | - B - - | Door-refr, smooth, black, complete assy |
| 15      | 241837278 | - - C - | Door-refr, smooth, white, complete assy |
| 15      | 241837265 | - - - D | Door-refr, white, complete assy         |
| 18      | 241930103 | A B - - | Handle-door, black                      |
| 18      | 241930102 | - - C D | Handle-door, white                      |
| 21A     | 240442706 | A B C D | Screw-#10-32 X 3/4, zinc                |
| 22      | 241990301 | A B C D | Bearing-hinge, gray                     |
| 22B     | 241760404 | A B - - | Bearing, hinge, top                     |
| 22B     | 241760403 | - - C D | Bearing, hinge, top                     |
| 49      | 241808226 | A B C D | Bin-door, gallon, w/trim                |
| 79      | 218755405 | A B C D | Screw-set, 10-32 x 0.650                |
| 80      | 218755504 | A B C D | Screw-shoulder, #10 AB, handle mounting |

**CABINET**

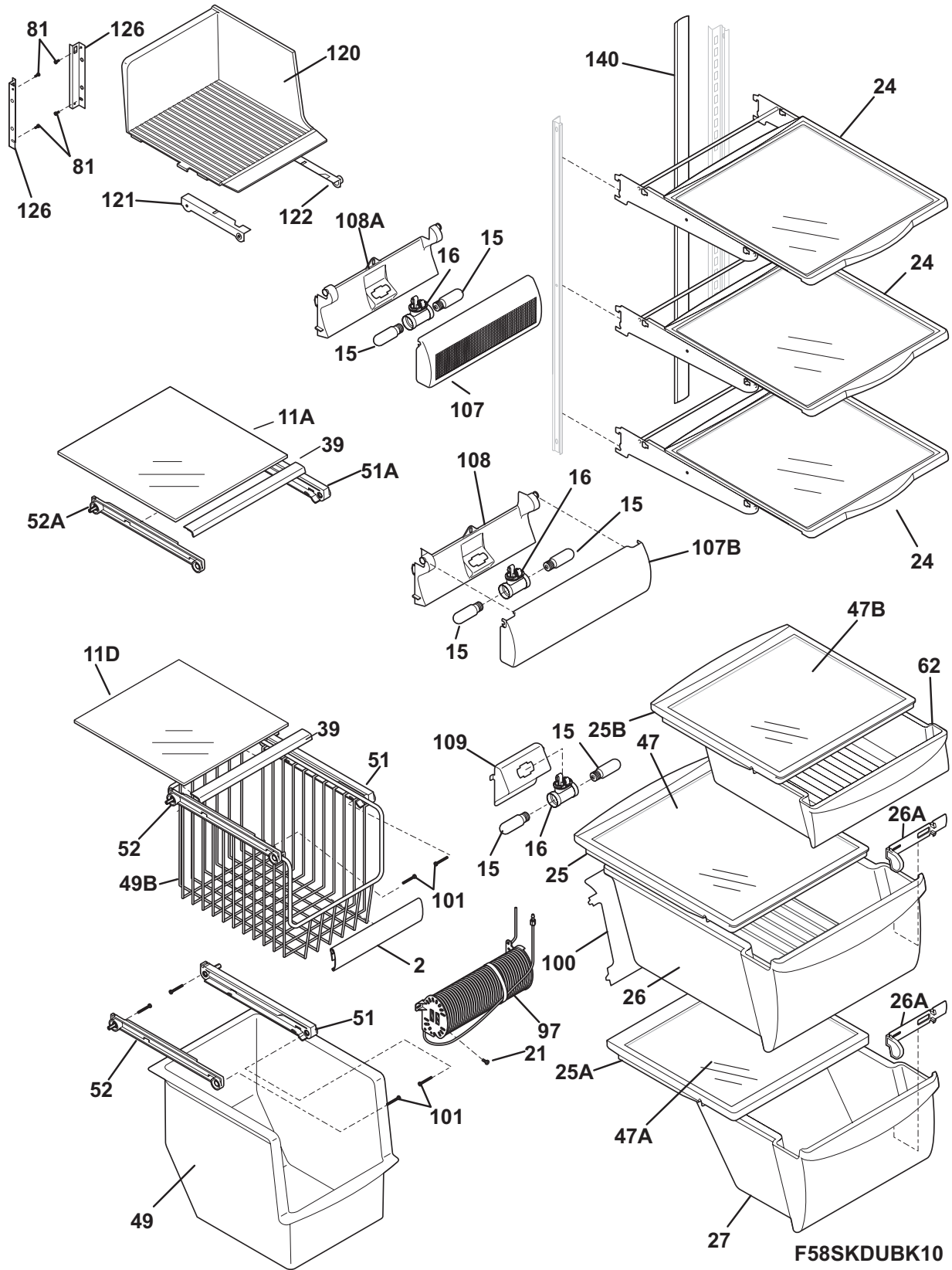


**CABINET**

Model Index: A FGHS2367K (FGHS2367KB1)  
 B FGHS2367K (FGHS2367KE1)  
 C FGHS2367K (FGHS2367KP1)  
 D FGHS2367K (FGHS2367KW1)

| POS. NO | PART NO.   |         | DESCRIPTION  |
|---------|------------|---------|--|
| 10      | 240435913  | A B C D | Cover-air duct   |
| 10A     | 241719710  | A B C D | Cover-evap coil, lower   |
| 11      | 5303208309 | A B C D | Plug-hole, factory test  |
| 14A#    | 241547901  | A B C D | Switch-light/lamp, frzr door                                   |
| 21C     | 218252201  | A B C D | Screw, #8 truss hd, 10-32CA x 0.500                            |
| 21D     | 241548003  | A B C D | Screw, 10-32 x 3/8   |
| 22      | 241917801  | A B C D | Plate-door closer  |
| 22*     | 218755402  | A B C D | Screw-set, 10-32 x 0.375                                       |
| 28      | 240335502  | A B C D | Bolt-roller adj, hex washer head, 1/4-20 x 4.020, (2), special |
| 30      | 241917901  | A B C D | Bracket-lower hinge, RH, w/hinge pin                           |
| 30A     | 241917902  | A B C D | Bracket-lower hinge, LH, w/hinge pin                           |
| 37      | 240337610  | A B - - | Trim-cabinet corner, black, (2)                                |
| 37      | 240337608  | - - C D | Trim-cabinet corner, white, (2)                                |
| 38      | 241761301  | A B C D | Bracket-upper hinge, RH  |
| 38A     | 241761302  | A B C D | Bracket-upper hinge, LH  |
| 40      | 241946705  | A B - - | Cover-upper hinge, black, RH                                   |
| 40      | 241946701  | - - C D | Cover-upper hinge, white                                       |
| 40*     | 241835801  | A B C D | Harness-wiring   |
| 40A     | 241946706  | A B - - | Cover-upper hinge, black, LH                                   |
| 40A     | 241946702  | - - C D | Cover-upper hinge, white, LH                                   |
| 40A*    | 241891901  | A B C D | Harness-wiring, freezer  |
| 41      | 241550801  | A B C D | Grommet-shelf mtg, 1.40" long                                  |
| 41*     | 241550701  | A B C D | Grommet-shelf mtg, .96" long                                   |
| 42      | 240578902  | A B C D | Screw, hex head, 1/4-20 x 5/8                                  |
| 43      | 240335006  | A B C D | Roller Assy, front, (2)  |
| 45      | 241500303  | A B C D | Screw, hex washer head, 8-18AB x 0.500                         |
| 47      | 241513001  | A B C D | Channel-shelf mtg, side, (2)                                   |
| 50      | 242000406  | A B C D | Board-main power   |
| 50*     | 241867901  | A B C D | Harness-wiring   |
| 54      | 241532401  | A B C D | Channel  |
| 58      | 218781101  | A B C D | Screw, pan head, 8-18 x 0.625                                  |
| 66      | 241756801  | A B C D | Damper-meat keeper   |
| 66*     | 241512807  | A B C D | Seal   |
| 66A     | 241756901  | A B C D | Housing-damper   |
| 72      | 241972903  | A B - - | Grille/Kickplate, black  |
| 72      | 241972901  | - - C D | Grille/Kickplate, white  |
| 81      | 5304455650 | A B C D | Screw, hex washer head, 8-15A x 0.625, low profile             |
| 82      | 5304418225 | A B C D | Roller, compressor base, rear, (2)                             |
| 83      | 5304455655 | A B C D | Rivet, flat head, 1/4 OD x 1-3/4, roller pin                   |
| 89      | 241733904  | A B C D | Cover-access, w/label  |
| 90      | 218249807  | A B C D | Seal-coil cover  |
| 92      | 241710601  | A B C D | Screw, hex washer hd, 1/4 x 7/8, hinge mtg                     |
| 93      | 241911704  | A B - - | Switch, plunger style  |
| 93      | 241911701  | - - C D | Switch, plunger style  |
| 100     | 240423701  | A B C D | Support, crisper cover, front, (4)                             |
| 100*    | 240350802  | A B C D | Support, crisper cover, rear, (4)                              |
| *       | 240396801  | A B C D | Clamp, tube/wiring, nylon, black/natural                       |
| *       | 241781601  | A B C D | Seal-return air  |
| *       | 241852501  | A B C D | Clip, wiring harness   |
| *       | 241868101  | A B C D | Air Guide  |
| *       | 5303321321 | A B - - | Paint, touch-up, black   |
| *       | 5303321319 | - - C D | Paint, touch-up, white   |

**SHELVES**



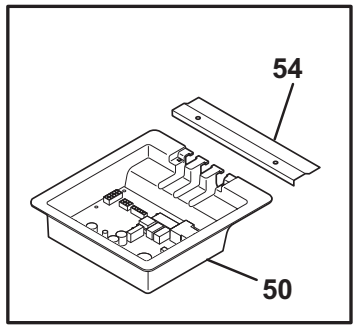
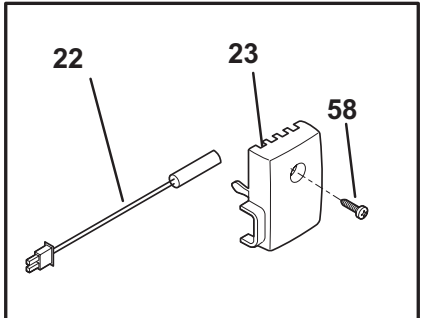
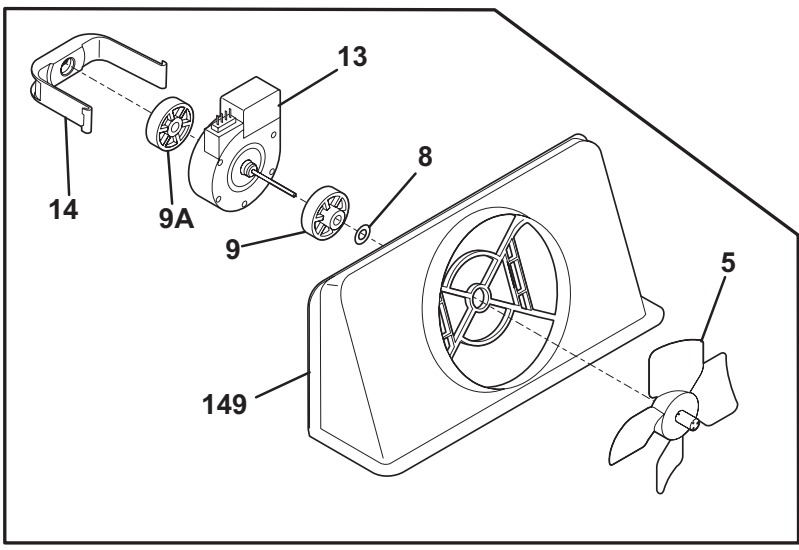
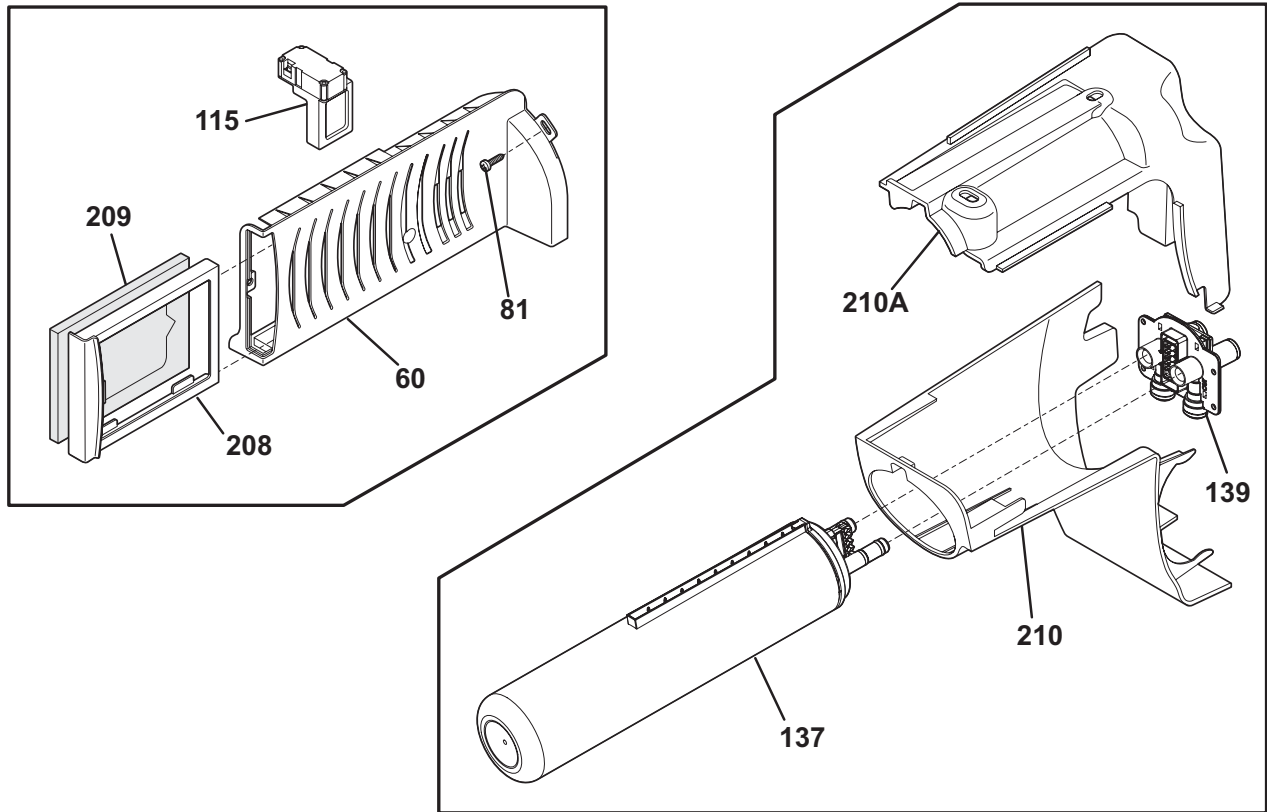


**SHELVES**

*Model Index:* A FGHS2367K (FGHS2367KB1)  
 B FGHS2367K (FGHS2367KE1)  
 C FGHS2367K (FGHS2367KP1)  
 D FGHS2367K (FGHS2367KW1)

| POS. NO | PART NO.   |         | DESCRIPTION  |
|---------|------------|---------|--|
| 2       | 241510609  | A B C D | Trim-basket  |
| 11A     | 241992913  | A B C D | Shelf-freezer, glass, upper                        |
| 11D     | 241992914  | A B C D | Shelf-freezer, glass, lower                        |
| 15      | 241552801  | A B C D | Light Bulb   |
| 16      | 241622802  | A B C D | Socket-light, frz light                            |
| 16*#    | 241797601  | A B C D | Harness-wiring                                     |
| 21      | 5304455658 | A B C D | Screw, hx wshr hd sems, 8-15A x 0.625              |
| 24      | 240350142  | A B C D | Shelf-"Spill-Safe", cantilever, sliding            |
| 25      | 241974201  | A B C D | Cover-crisper pan, upper                           |
| 25*     | 240362101  | A B C D | Clip-slide, cover-crisper                          |
| 25A     | 241974301  | A B C D | Cover-crisper pan, lower                           |
| 25B     | 241973101  | A B C D | Cover-meat pan                                     |
| 26      | 240354723  | A B C D | Pan-crisper, upper                                 |
| 26*     | 240349801  | A B C D | Clip-slide, pan-crisper                            |
| 26A     | 240351101  | A B C D | Control-humidity                                   |
| 27      | 240354826  | A B C D | Pan-crisper, lower                                 |
| 39      | 240367606  | A B C D | Trim-shelf, front                                  |
| 47      | 241992910  | A B C D | Insert-pan cover, glass                            |
| 47A     | 240350614  | A B C D | Insert-pan cover, glass                            |
| 47B     | 241992909  | A B C D | Insert-pan cover, glass                            |
| 49      | 240564301  | A B C D | Basket-sliding                                     |
| 49B     | 240530503  | A B C D | Basket-sliding, upper, full                        |
| 51      | 240343002  | A B C D | Hanger-basket, RH                                  |
| 51A     | 240395502  | A B C D | Hanger-basket, RH                                  |
| 52      | 240343102  | A B C D | Hanger-basket, LH                                  |
| 52A     | 240395602  | A B C D | Hanger-basket, LH                                  |
| 62      | 241974401  | A B C D | Pan-meat   |
| 81      | 5304455650 | A B C D | Screw, hex washer head, 8-15A x 0.625, low profile |
| 97      | 241532007  | A B C D | Water Tank   |
| 100     | 240326303  | A B C D | Cover-water tank                                   |
| 101     | 218493101  | A B C D | Screw, hex washer head, 8-18AB x 1-3/4             |
| 107     | 241753501  | A B C D | Shield-light, refr                                 |
| 107B    | 241947502  | A B C D | Shield-light, meat pan                             |
| 108     | 241513301  | A B C D | Cover-wiring, meat pan light                       |
| 108A    | 241753701  | A B C D | Housing-light, upper, fresh food                   |
| 109     | 241513202  | A B C D | Base-crisper light socket                          |
| 120     | 241740701  | A B C D | Shelf-ice cream                                    |
| 121     | 241561001  | A B C D | Rail-ice cream shelf, LH                           |
| 122     | 241561101  | A B C D | Rail-ice cream shelf, RH                           |
| 126     | 241674401  | A B C D | Channel, auger mtg, LH                             |
| 126     | 241674402  | A B C D | Channel, auger mtg, RH                             |
| 140     | 241812501  | A B C D | Channel, wtr tube cover                            |
| *       | 241781601  | A B C D | Seal-return air                                    |
| *       | 241868101  | A B C D | Air Guide  |
| *       | 241935569  | A B C D | Energy Guide                                       |

**CONTROLS**



**F58TEBCAE0**

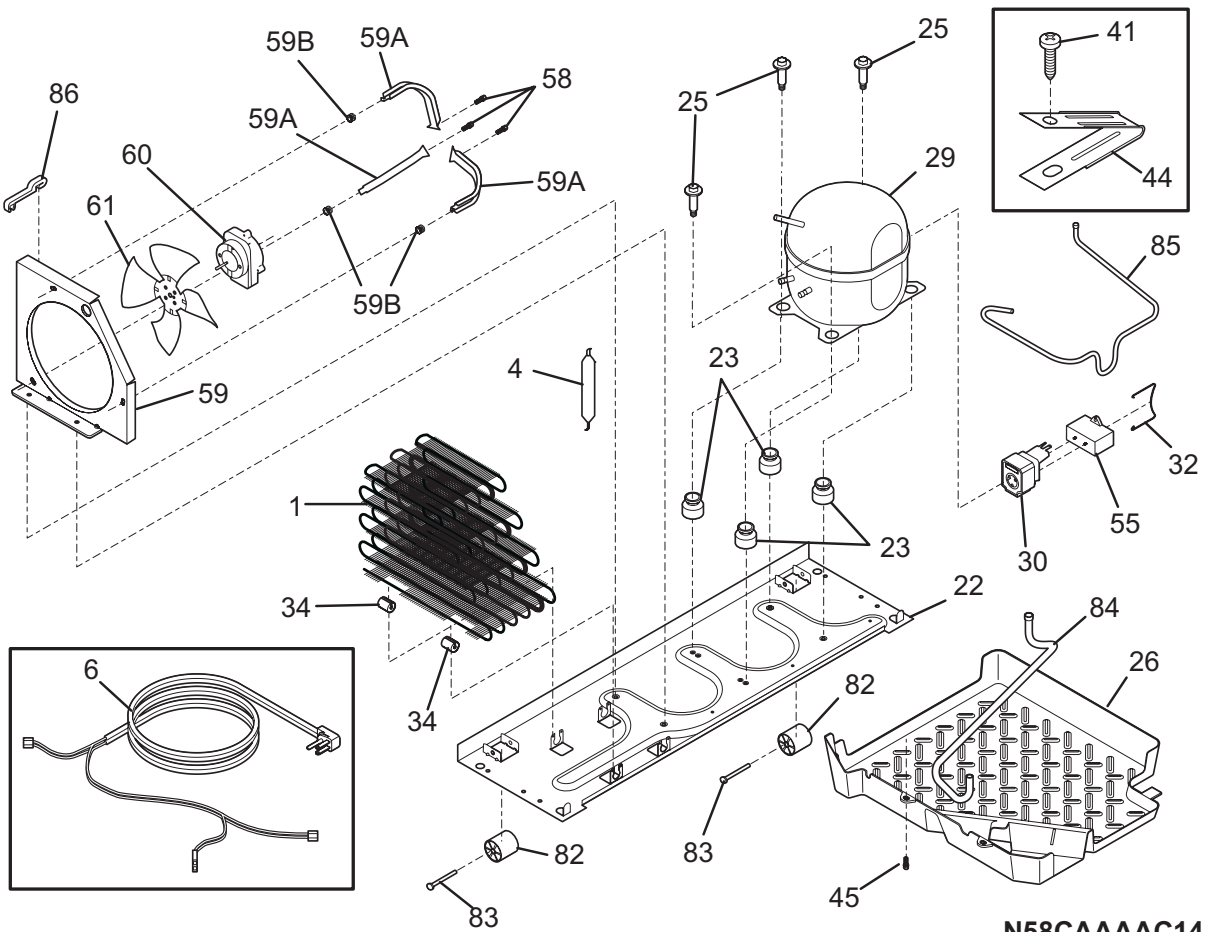
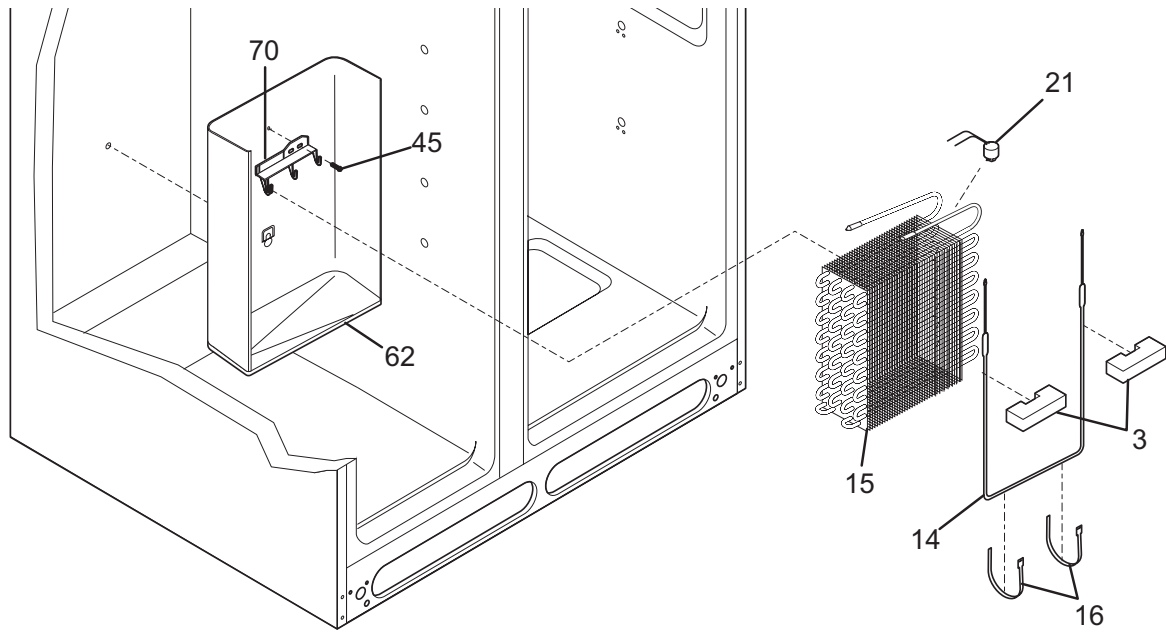
## CONTROLS

---

*Model Index:*   A FGHS2367K (FGHS2367KB1)  
                       B FGHS2367K (FGHS2367KE1)  
                       C FGHS2367K (FGHS2367KP1)  
                       D FGHS2367K (FGHS2367KW1)

| POS. NO | PART NO.   |         | DESCRIPTION  |
|---------|------------|---------|--|
| 5 #     | 5308000010 | A B C D | Fan Blade, red, evaporator fan                     |
| 8       | 215474201  | A B C D | Washer, "slinger", nylon, evap fan shaft           |
| 9       | 241563601  | A B C D | Bushing-motor mtg                                  |
| 9A      | 241845301  | A B C D | Bushing-motor mtg                                  |
| 13      | 241509402  | A B C D | Motor, evaporator fan                              |
| 14      | 241517701  | A B C D | Clip, evap fan motor                               |
| 22      | 240597203  | A B C D | Sensor   |
| 23      | 241845401  | A B C D | Housing-sensor                                     |
| 50      | 242000406  | A B C D | Board-main power                                   |
| 50*     | 241867901  | A B C D | Harness-wiring                                     |
| 54      | 241532401  | A B C D | Channel  |
| 58      | 5304455650 | A B C D | Screw, hex washer head, 8-15A x 0.625, low profile |
| 60      | 242010601  | A B C D | Housing-diffuser & air filter                      |
| 60*     | 241945101  | A B C D | Insulation-air duct                                |
| 81      | 5304455658 | A B C D | Screw, hx wshr hd sems, 8-15A x 0.625              |
| 115     | 241853801  | A B C D | Damper Assy, w/seal                                |
| 137     | 241791601  | A B C D | Filter-water, carbon                               |
| 139     | 242009601  | A B C D | Base-water filter                                  |
| 149     | 241563401  | A B C D | Shroud-fan orifice                                 |
| 149*    | 241528305  | A B C D | Seal, shroud                                       |
| 208     | 241754301  | A B C D | Sleeve, air filter, front                          |
| 209     | 241754002  | A B C D | Filter-air   |
| 210     | 241983801  | A B C D | Housing-water filtr                                |
| 210A    | 241998301  | A B C D | Mount-water filter                                 |
| *       | 3205266    | A B C D | Edge Protector, wiring harness                     |
| *       | 241852501  | A B C D | Clip, wiring harness                               |

**SYSTEM**



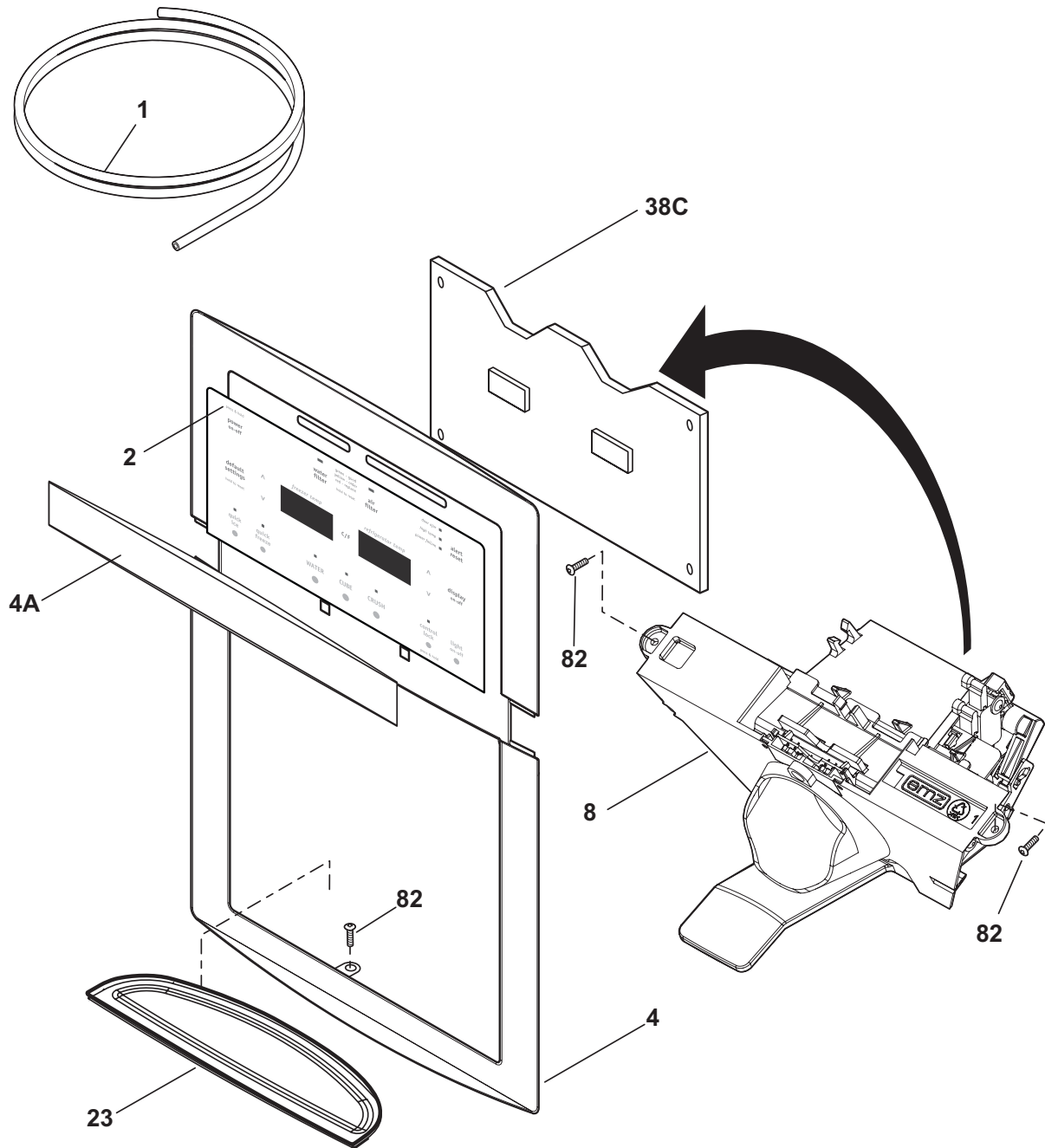
**N58CAAAC14**

**SYSTEM**

*Model Index:* A FGHS2367K (FGHS2367KB1)  
 B FGHS2367K (FGHS2367KE1)  
 C FGHS2367K (FGHS2367KP1)  
 D FGHS2367K (FGHS2367KW1)

| POS. NO | PART NO.   |         | DESCRIPTION  |
|---------|------------|---------|--|
| 1       | 240333602  | A B C D | Condenser  |
| 3       | 218679606  | A B C D | Block-evap coil, styrofoam, (2)                    |
| 4 #     | 218944001  | A B C D | Drier-filter, R134a System                         |
| 6 #     | 241516901  | A B C D | Cord-service                                       |
| 6* #    | 241519902  | A B C D | Harness-wiring                                     |
| 6* #    | 241834802  | A B C D | Harness-wiring, machine compt                      |
| 14 #    | 240316107  | A B C D | Heater-defrost                                     |
| 15 #    | 5303918286 | A B C D | Evaporator Kit                                     |
| 16      | 5308000110 | A B C D | Strap-evap/heater, aluminum, (2)                   |
| 21      | 5303918214 | A B C D | Thermostat-defrost, kit                            |
| 22      | 240330010  | A B C D | Base-compressor                                    |
| 22*     | 218252201  | A B C D | Screw, #8 truss hd, 10-32CA x 0.500                |
| 23      | 241659701  | A B C D | Grommet, compressor                                |
| 25      | 240491503  | A B C D | Screw-compressor mtg, 1/4-28 x 1.16, (4)           |
| 26      | 241697602  | A B C D | Pan-defrost  |
| 29 #    | 5303918359 | A B C D | Compressor, w/o electricals                        |
| 29*     | 240433204  | A B C D | Screw, hex washer head, 8-18 x 5/16                |
| 30 #    | 241707712  | A B C D | Starter, PTC                                       |
| 32      | 241650901  | A B C D | Clamp, elec cont mtg, compressor                   |
| 34      | 240405201  | A B C D | Grommet, rubber, black, cond tube/wire             |
| 41      | 240555002  | A B C D | Screw-#8-32 X 3/8                                  |
| 44      | 215174700  | A B C D | Clamp-service cord, strain relief, galv steel      |
| 45      | 5304455650 | A B C D | Screw, hex washer head, 8-15A x 0.625, low profile |
| 55      | 218909913  | A B C D | Capacitor, run, 220 VAC, 15 microfarad             |
| 58      | 240569201  | A B C D | Screw, 8-18 x 0.500                                |
| 59      | 240315506  | A B C D | Shroud, cond fan motor                             |
| 59*     | 240346701  | A B C D | Tape-foam seal, shroud                             |
| 59*     | 240359403  | A B C D | Screw-fan shroud, (2)                              |
| 59A     | 240346501  | A B C D | Bracket-support, cond mtr, (3)                     |
| 59B     | 240346601  | A B C D | Grommet-bracket, (3)                               |
| 60      | 241584301  | A B C D | Motor-condenser fan                                |
| 61      | 241639501  | A B C D | Blade-condenser fan                                |
| 62      | 240429401  | A B C D | Trough-drain                                       |
| 70      | 218990801  | A B C D | Bracket-evap/cvr mtg                               |
| 82      | 5304418225 | A B C D | Roller, compressor base, rear, (2)                 |
| 83      | 5304455655 | A B C D | Rivet, flat head, 1/4 OD x 1-3/4, roller pin       |
| 84      | 241957901  | A B C D | Tube-drain, lower                                  |
| 85      | 241844801  | A B C D | Tube-connector, suction                            |
| 86      | 240409302  | A B C D | Spacer-cond tube, black                            |
| *       | 241852501  | A B C D | Clip, wiring harness                               |
| *       | 5303918222 | A B C D | Hot Tube Repair Kit, service                       |
| * #     | 5303918328 | A B C D | Heat Exchanger Kit, suction line, service          |

ICE & WATER DISPENSER



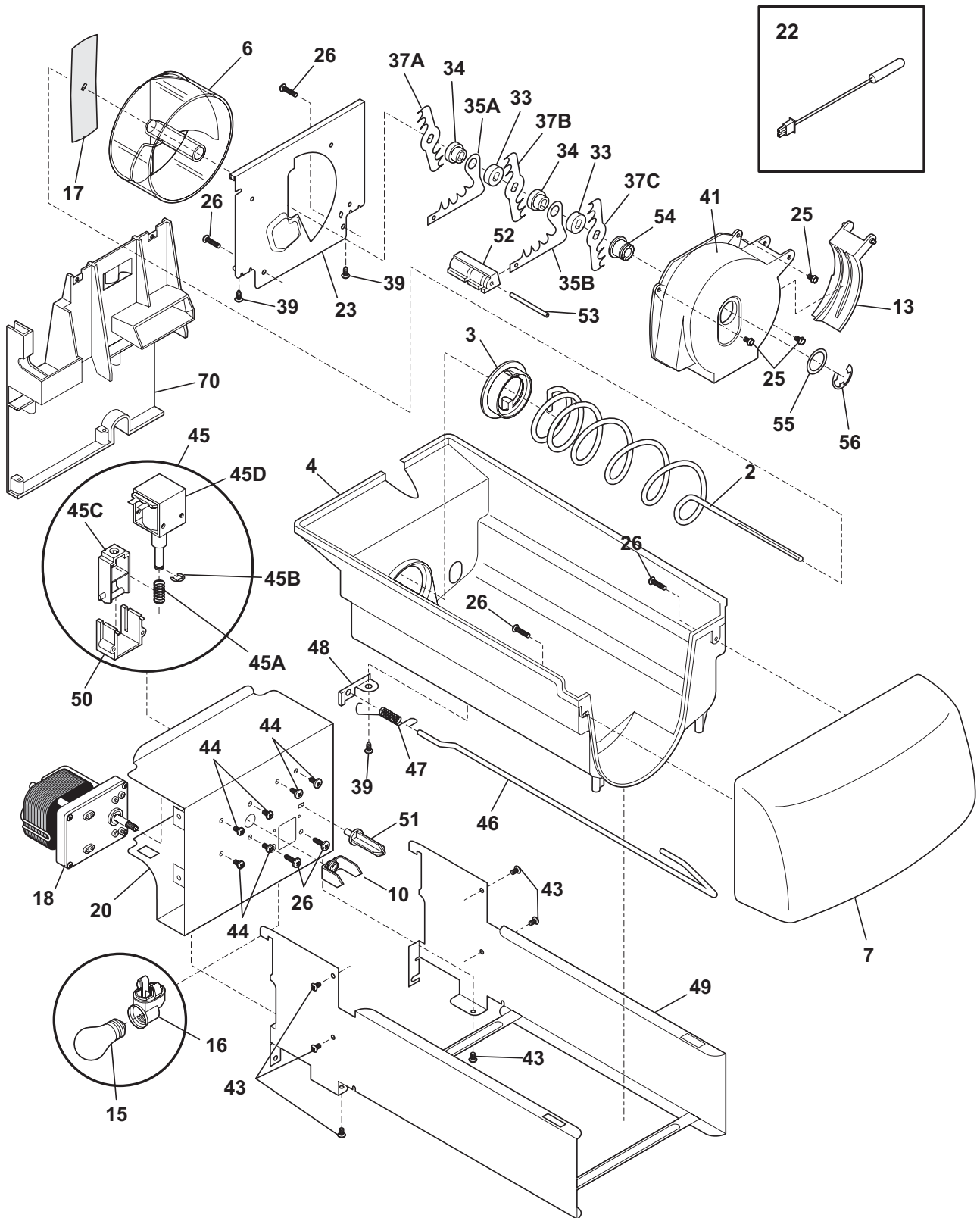
F58XFAAAA0

**ICE & WATER DISPENSER**

*Model Index:* A FGHS2367K (FGHS2367KB1)  
 B FGHS2367K (FGHS2367KE1)  
 C FGHS2367K (FGHS2367KP1)  
 D FGHS2367K (FGHS2367KW1)

| POS. NO | PART NO.   |         | DESCRIPTION                                 |
|---------|------------|---------|---|
| 1       | 218976419  | A B C D | Tube-water inlet, valve to door             |
| 1*      | 218976429  | A B C D | Tube-water inlet, 97.50", brown/tan         |
| 1*      | 218976915  | A B C D | Tube-water inlet, inlet valve, to filter    |
| 1*      | 240561703  | A B C D | Seal-water inlet, inlet valve, to ice maker |
| 2       | 241973811  | A B - - | Switch Assembly, overlay, black             |
| 2       | 241973812  | - - C D | Switch Assembly, overlay, white, top        |
| 4       | 241946803  | A B - - | Cover-module, black                         |
| 4       | 241946801  | - - C D | Cover-module, white                         |
| 4A      | 241946901  | A B C D | Trim, Facade                                |
| 8       | 241753413  | A B C D | Module-dispenser, clear                     |
| 23      | 241947003  | A B - - | Drip Tray, black                            |
| 23      | 241947001  | - - C D | Drip Tray, white                            |
| 38C#    | 241973702  | A B C D | Board-control                               |
| 82      | 240363402  | A B C D | Screw-#8-18 X 1/2, #6 hd plask              |
| *       | 5303918371 | A B C D | Dispenser heater kit, 115                   |

ICE CONTAINER



N58YDAAAC4

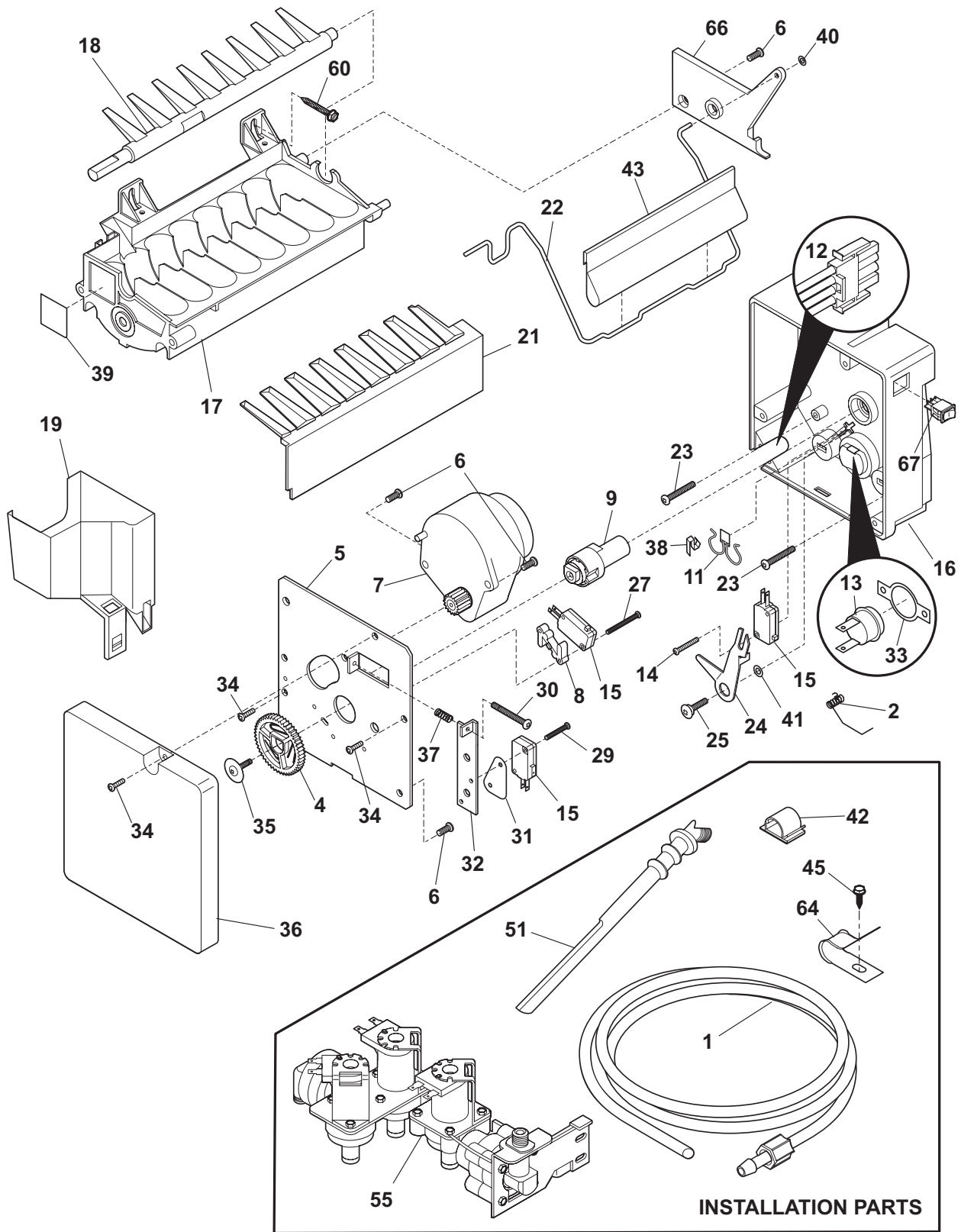


**ICE CONTAINER**

*Model Index:* A FGHS2367K (FGHS2367KB1)  
 B FGHS2367K (FGHS2367KE1)  
 C FGHS2367K (FGHS2367KP1)  
 D FGHS2367K (FGHS2367KW1)

| POS. NO | PART NO.  | A | B | C | D | DESCRIPTION                          |
|---------|-----------|---|---|---|---|--------------------------------------|
| 2       | 241716101 | A | B | C | D | Auger-ice                            |
| 3       | 241685201 | A | B | C | D | Cam-drive                            |
| 4       | 241561302 | A | B | C | D | Container-ice, bucket only           |
| 6       | 241685101 | A | B | C | D | Drum-ice disp                        |
| 7       | 241561402 | A | B | C | D | Front-ice container                  |
| 10      | 241726501 | A | B | C | D | Bar-drive                            |
| 13      | 241685301 | A | B | C | D | Gate                                 |
| 15      | 241555401 | A | B | C | D | Light Bulb                           |
| 16      | 241559801 | A | B | C | D | Socket-light                         |
| 17      | 241684501 | A | B | C | D | Drive Blade                          |
| 18 #    | 241676201 | A | B | C | D | Motor-auger                          |
| 18*     | 241522901 | A | B | C | D | Harness-wiring, icmkr/container      |
| 20      | 241734702 | A | B | C | D | Cover-motor                          |
| 22      | 240597203 | A | B | C | D | Sensor                               |
| 22*     | 241519401 | A | B | C | D | Clip, sensor                         |
| 23      | 241684001 | A | B | C | D | Plate-front                          |
| 25      | 241690701 | A | B | C | D | Screw, hex washer head, 8-32 x 0.375 |
| 26      | 215503203 | A | B | C | D | Screw, cr pan hd, 10-16 x 0.500      |
| 33      | 241684801 | A | B | C | D | Spacer                               |
| 34      | 241689801 | A | B | C | D | Spacer                               |
| 35A     | 241684301 | A | B | C | D | Fixed Blade, round                   |
| 35B     | 241684201 | A | B | C | D | Fixed Blade, square                  |
| 37A     | 241684101 | A | B | C | D | Blade, crusher #1                    |
| 37B     | 241684102 | A | B | C | D | Blade, crusher #2                    |
| 37C     | 241684103 | A | B | C | D | Blade, crusher #3                    |
| 39      | 241690501 | A | B | C | D | Screw                                |
| 41      | 241685601 | A | B | C | D | Housing-crusher                      |
| 43      | 218359202 | A | B | C | D | Screw, pan head, 8-32 x 0.250        |
| 44      | 241842101 | A | B | C | D | Screw, 8-32 x 1/4                    |
| 45      | 241675701 | A | B | C | D | Solenoid Assy, 115V                  |
| 45A     | 241675901 | A | B | C | D | Spring-solenoid                      |
| 45B     | 241676001 | A | B | C | D | E-Ring-solenoid                      |
| 45C     | 241676101 | A | B | C | D | Actuator-solenoid                    |
| 45D     | 241675801 | A | B | C | D | Solenoid, 115V                       |
| 46      | 241716002 | A | B | C | D | Control Rod                          |
| 47      | 241731801 | A | B | C | D | Spring-control rod                   |
| 48      | 241684602 | A | B | C | D | Bracket-control rod                  |
| 49      | 241734401 | A | B | C | D | Rail Assy                            |
| 50      | 241675601 | A | B | C | D | Guide-solenoid                       |
| 51      | 241676301 | A | B | C | D | Rotation Stop                        |
| 52      | 241684901 | A | B | C | D | Spacer-fixed blades                  |
| 53      | 241690402 | A | B | C | D | Pin-spiral, fixed blades             |
| 54      | 241685001 | A | B | C | D | Nut-auger                            |
| 55      | 241690306 | A | B | C | D | Washer                               |
| 56      | 241690201 | A | B | C | D | E-ring                               |
| 70      | 241561501 | A | B | C | D | Plate-mounting                       |
| 70*     | 241551602 | A | B | C | D | Screw, hex head, 8-18B x 0.875       |
| 70*     | 241716801 | A | B | C | D | Clip                                 |
| 70*     | 215005101 | A | B | C | D | Screw, hanger/rlr mtg, 8-10 x 7/16   |
| *       | 218817300 | A | B | C | D | Shield-light                         |
| *       | 241860810 | A | B | C | D | Ice Container Assy, w/moving parts   |

**ICE MAKER**



**N581115TServo**

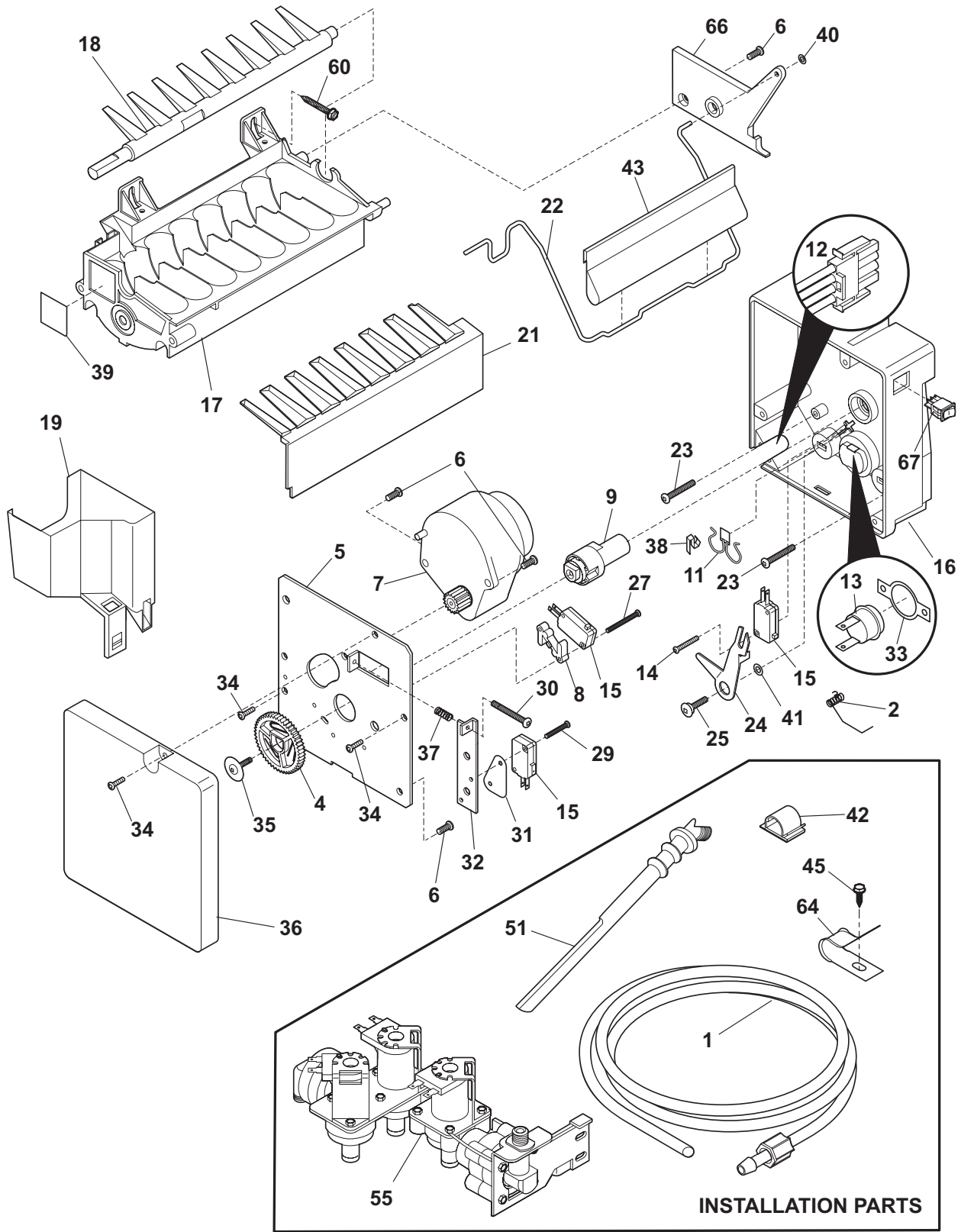
## ICE MAKER

---

*Model Index:*   A FGHS2367K (FGHS2367KB1)  
                       B FGHS2367K (FGHS2367KE1)  
                       C FGHS2367K (FGHS2367KP1)  
                       D FGHS2367K (FGHS2367KW1)

| POS. NO | PART NO.   |         | DESCRIPTION  |
|---------|------------|---------|--|
| 1       | 218976419  | A B C D | Tube-water inlet, valve to door                    |
| 1*      | 218976429  | A B C D | Tube-water inlet, 97.50", brown/tan                |
| 1*      | 218976915  | A B C D | Tube-water inlet, inlet valve, to filter           |
| 1*      | 240561703  | A B C D | Seal-water inlet, inlet valve, to ice maker        |
| 2       | 5304456650 | A B C D | Spring-shutoff arm, ice maker                      |
| 4       | 5304458380 | A B C D | Gear   |
| 5       | 5304458383 | A B C D | Plate-mounting                                     |
| 6       | 5304458386 | A B C D | Screw  |
| 7 #     | 5304458382 | A B C D | Motor-ice maker Svo                                |
| 8       | 5304458388 | A B C D | Spacer-hold switch                                 |
| 9       | 5304456662 | A B C D | Cam  |
| 11 #    | 5304458400 | A B C D | Thermal Cutoff, ice maker                          |
| 12      | 5304458379 | A B C D | Harness-wiring                                     |
| 13      | 5304456665 | A B C D | Thermostat, ice maker                              |
| 14      | 5304458384 | A B C D | Screw  |
| 15 #    | 5304456667 | A B C D | Switch-micro, (3)                                  |
| 16      | 5304458395 | A B C D | Housing, control                                   |
| 17      | 5304456669 | A B C D | Mold-ice maker, w/therm cut off                    |
| 18      | 5304458377 | A B C D | Ejector-ice  |
| 18*     | 241522901  | A B C D | Harness-wiring, icmkr/container                    |
| 19      | 5304458378 | A B C D | Cup-water inlet                                    |
| 21      | 5304458390 | A B C D | Ice Stripper                                       |
| 22      | 5304458375 | A B C D | Shut-off Arm                                       |
| 23      | 5304458394 | A B C D | Screw  |
| 24      | 5304458391 | A B C D | Lever Arm  |
| 25      | 5304456676 | A B C D | Screw, M 4x12.8 #2, lever arm/sprt                 |
| 27      | 5304458385 | A B C D | Screw  |
| 29      | 5304458393 | A B C D | Screw  |
| 30      | 5304458387 | A B C D | Screw  |
| 31      | 5304458381 | A B C D | Insulator  |
| 32      | 5304456681 | A B C D | Plate-valve switch                                 |
| 33      | 5304456682 | A B C D | Spring, timing adjust                              |
| 34      | 5304455684 | A B C D | Screw, plazscrew, 8-10 x 1/2, (3)                  |
| 35      | 5304456684 | A B C D | Screw  |
| 36      | 5304458376 | A B C D | Cover-ice maker                                    |
| 37      | 5304408583 | A B C D | Spring-timing adj                                  |
| 38      | 5304458398 | A B C D | Clip   |
| 39      | 5304458399 | A B C D | Conductor-heat                                     |
| 40      | 5304458401 | A B C D | Clip-retainer                                      |
| 41      | 5304456689 | A B C D | Washer, nylon                                      |
| 42      | 218515403  | A B C D | Clip-grille  |
| 43      | 241720601  | A B C D | Extension  |
| 45      | 5304455650 | A B C D | Screw, hex washer head, 8-15A x 0.625, low profile |
| 51      | 241796403  | A B C D | Tube-water fill, extension                         |
| 55 #    | 241734301  | A B C D | Valve-water, triple solenoid                       |
| 55*     | 218709101  | A B C D | Screw, hex head, 10-32 x 0.500                     |
| 55*     | 240363602  | A B C D | Screw-shoulder                                     |

ICE MAKER



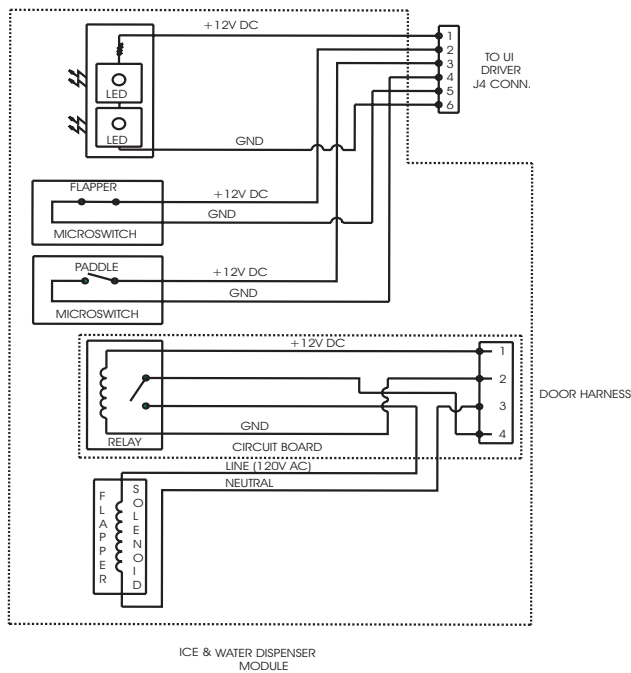
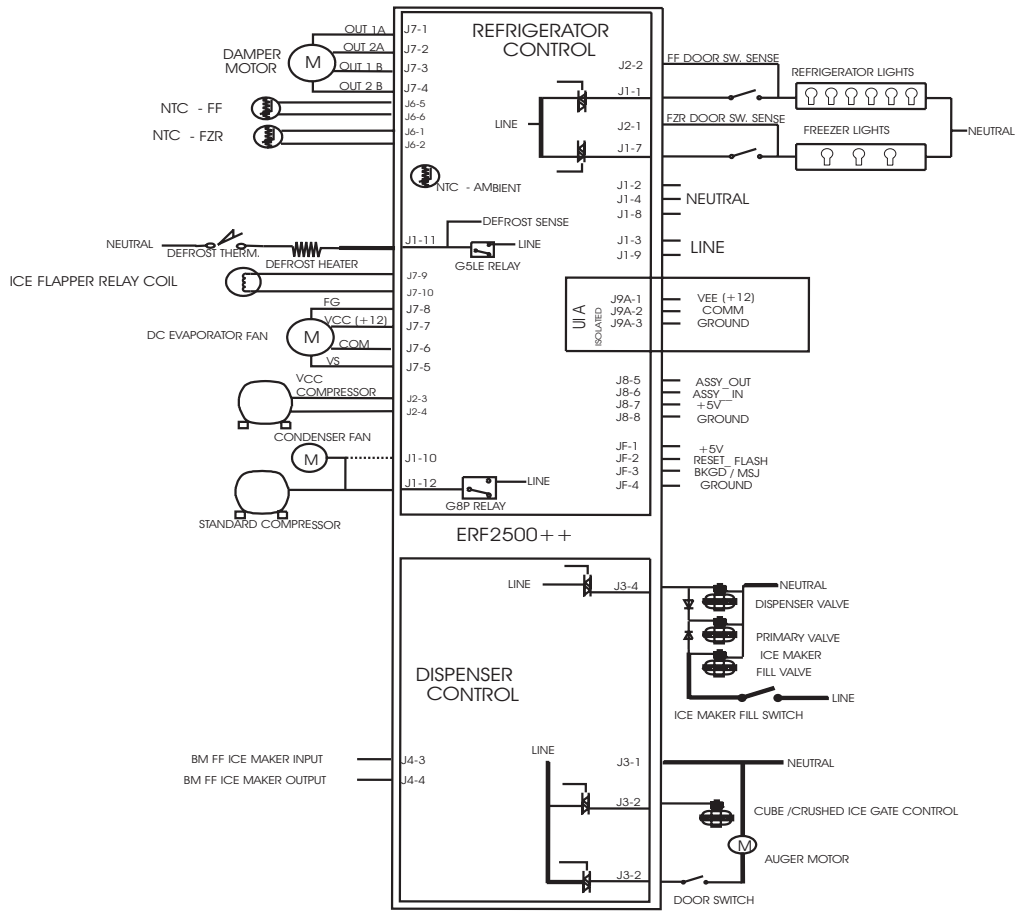
N581115TServo

**ICE MAKER**

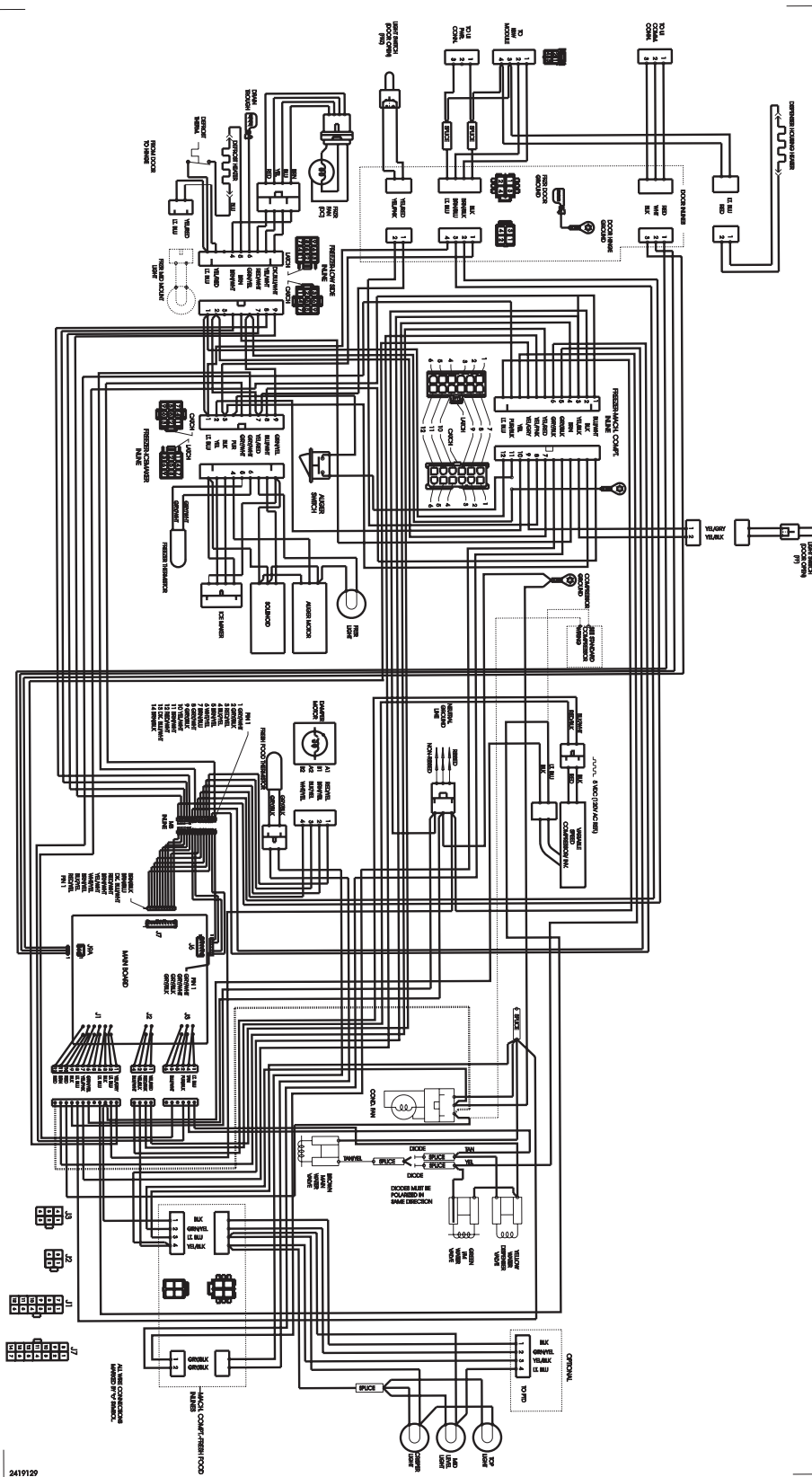
*Model Index:*    **A** FGHS2367K (FGHS2367KB1)  
                           **B** FGHS2367K (FGHS2367KE1)  
                           **C** FGHS2367K (FGHS2367KP1)  
                           **D** FGHS2367K (FGHS2367KW1)

| POS. NO | PART NO.   |         | DESCRIPTION                                   |
|---------|------------|---------|---|
| 60      | 5304455651 | A B C D | Screw, hex washer head, 8-15A x 0.500         |
| 64      | 5304455846 | A B C D | Clamp, .31 ID, steel, water tube              |
| 66      | 5304458374 | A B C D | Bracket-ice maker                             |
| 67      | 5304458392 | A B C D | Switch-on/off                                 |
| *       | 240352102  | A B C D | Connector-water, straight                     |
| *       | 241583301  | A B C D | Deflector-air, ice maker                      |
| *       | 241587402  | A B C D | Deflector-ice                                 |
| *       | 5304458389 | A B C D | Screw   |
| * #     | 241709801  | A B C D | Ice Maker, radius cube, 115 V, no instl parts |

WIRING SCHEMATIC



WIRING DIAGRAM



2419129