

Frigidaire

Factory Parts Catalog

Product No.	F24WR01ES	F30WR01EB	F30WR01EC	F30WR01EQ	F30WR01ES
Market	North America	North America	North America	North America	North America
Color	white	black	stainless steel	bisque	white
Exhaust-CFM	2850 RPM	2850 RPM	2850 RPM	2850 RPM	2850 RPM
Volts	120	120	120	120	120
Owner's Guide	99043804	99043804	99043804	99043804	99043804
Installation Instructions	99043804	99043804	99043804	99043804	99043804
Wiring Diagram	5995459129	5995459129	5995459129	5995459129	5995459129



Electrolux Major Appliances
 North & Latin America
 P.O. BOX 212378
 AUGUSTA, GA 30917

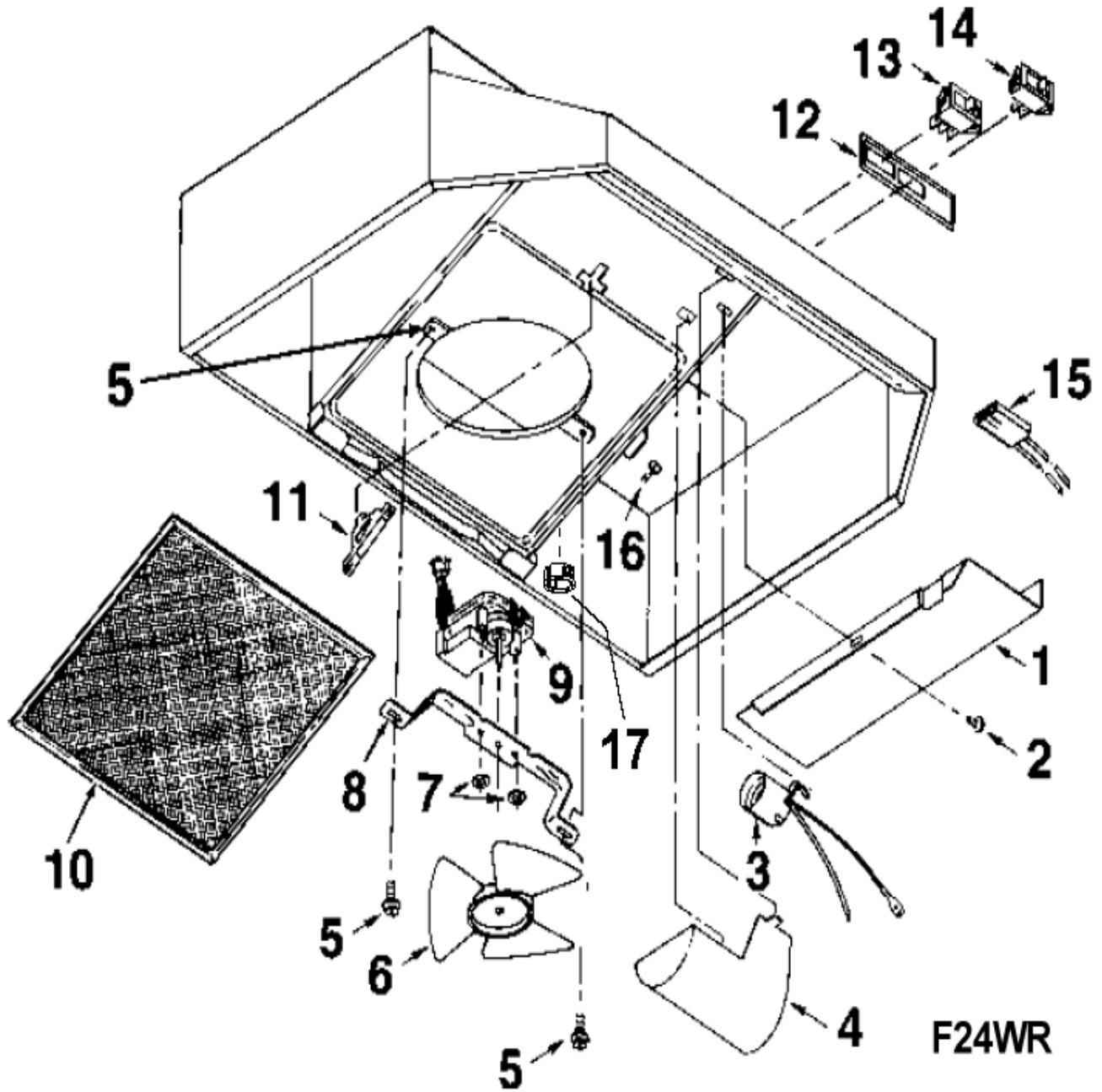
Publication No.
5995459129
 06/02/03
 (EN/SERVICE/KC)
 099

RANGE HOOD

Model No.
F24WR01E
F30WR01E

Copyright © 2006 Electrolux Home Products, Inc.
 All rights reserved.

REPLACEMENT PARTS



F24WR

REPLACEMENT PARTS

Model Index: A F24WR01E (F24WR01ES)
 B F30WR01E (F30WR01EB)
 C F30WR01E (F30WR01EC)
 D F30WR01E (F30WR01EQ)
 E F30WR01E (F30WR01ES)

POS. NO	PART NO.	A	B	C	D	E	DESCRIPTION
1	5304452355	A	B	C	D	E	Cover, outlet box
2	5303281950	A	B	C	D	E	Screw, sheet metal, 8-18 x 0.375
3 #	5304452356	A	B	C	D	E	Receptacle, Lamp holder, w/wires
4	3051767	A	B	C	D	E	Lens, lamp, glass
5	5304452357	A	B	C	D	E	Fastener Kit, 2-screw & 2-nut
6 #	5304452367	A	B	C	D	E	Fan Blade
7	5304452359	A	B	C	D	E	Nut, locking, 6-32, (2)
8	3051766	A	B	C	D	E	Bracket, motor mount
9 #	5304452368	A	B	C	D	E	Motor Assy, fan, includes 6, 7, 8
10 #	5304454054	A	B	C	D	E	Filter, duct-free, charcoal, 6-pk
11	5304413743	A	B	C	D	E	Clip, filter retainer
12	5304452371	A	-	-	-	E	Nameplate, white
12	5304452370	-	B	C	-	-	Nameplate, black
12	5304452681	-	-	-	D	-	Nameplate, bisque
13 #	5304452393	A	-	-	-	E	Switch, motor, white, 2 speed
13 #	5304452392	-	B	C	-	-	Switch, motor, black, 2 speed
13 #	5304452394	-	-	-	D	-	Switch, motor, bisque, 2 speed
14 #	5304452396	A	-	-	-	E	Switch, lamp, white
14 #	5304452395	-	B	C	-	-	Switch, lamp, black
14 #	5304452397	-	-	-	D	-	Switch, lamp, bisque
15 #	5304452366	A	B	C	D	E	Receptacle, motor, with wires
16	5303282015	A	B	C	D	E	Screw, ground, 10-32 x 0.500
17	5303282136	A	B	C	D	E	Bushing, grommet, 7/8 inch

WIRING DIAGRAM

