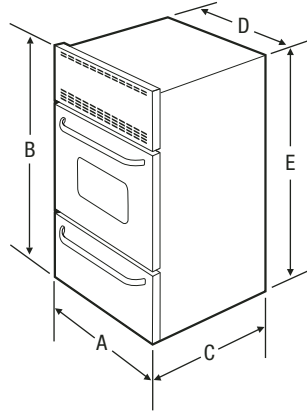


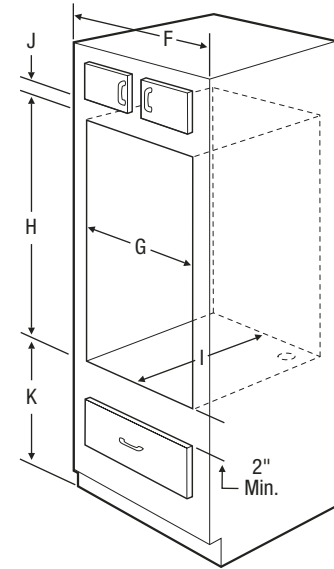
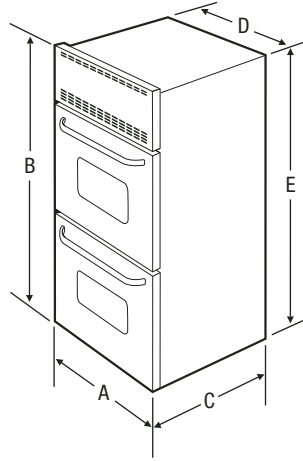
INSTALLATION

The following dimension and cutout information is for planning purposes only. For complete installation details consult manual packed with product, or download manual at Customer Service, online at www.frigidaire.com.

1-1/2 Oven Cavity Models



2 Oven Cavity Models



Oven Door Swing Clearances –

- 2 Oven Cavity Model – Allow 17-5/8"
- 1-1/2 Oven Cavity Model – Allow 19-3/8"

DIMENSIONS

Models	Exterior Dimensions			Wrapper Dimensions		Cabinet	Cutout Dimensions				Clearances		
	A - Width	B - Height	C - Depth	D - Width	E - Height	F - Size	G - Width Minimum Maximum		H - Height Minimum Maximum		I - Depth Minimum	J - Height Minimum	K - To Floor
FGB2455DC	23-7/8"	38-7/16"	25-3/8"	21-11/16"	37-3/8"	24"	22"	22"	37-1/2"	39"	23-1/2"	1-1/2"	10" - 27-1/2"
FGB2455A	23-7/8"	38-7/16"	25-3/8"	21-11/16"	37-3/8"	24"	22"	22"	37-1/2"	39"	23-1/2"	1-1/2"	10" - 27-1/2"
FGB24T3A	23-17/32"	42-3/8"	21"	22-5/16"	41-13/16"	24"	22-1/2"	22-1/2"	42-1/8"	42-1/8"	24"	2-1/2"	19-1/2"
FGB24T3E	23-17/32"	42-3/8"	21"	22-5/16"	41-13/16"	24"	22-1/2"	22-1/2"	42-1/8"	42-1/8"	24"	2-1/2"	19-1/2"
FGB24L2A	23-7/8"	38-7/16"	25-3/8"	21-11/16"	37-3/8"	24"	22"	22"	37-1/2"	39"	23-1/2"	1-1/2"	10" - 27-1/2"
FGB24L2E	23-7/8"	38-7/16"	25-3/8"	21-11/16"	37-3/8"	24"	22"	22"	37-1/2"	39"	23-1/2"	1-1/2"	10" - 27-1/2"
Lower Broil Cavity													
FGB24T3A (only)	19"	14"	17-5/8"										

Specifications subject to change.