

This Data Sheet Includes Information On

Jenn-Air

• **Product Model Number (s):** •

30" Electric Double Ovens:
JJW9630DDB, JJW9630DDQ, JJW9630DDS and
JJW9630DDW

• **Dimensions (Actual Size)** •

Cutout width: 28 1/2"

Cutout height: 51 7/8"

Minimum cabinet width: 30"

Minimum cabinet depth: 24"

Recommended cutout location from floor : 4" to 10"

Distance from face of cabinet to
outer edge of open doors (door swing): 21"

Distance from face of cabinet to
front of closed door handle: 3 7/8"

Overall unit width: 29 3/4"

Overall unit height: 52 1/4"

Penetration into cabinet: 24"

Oven overlap distances when using
cutout dimensions listed above:

Top overlap: 1/4"

Bottom overlap: 1/8"

Right side overlap: 5/8"

Left side overlap: 5/8"

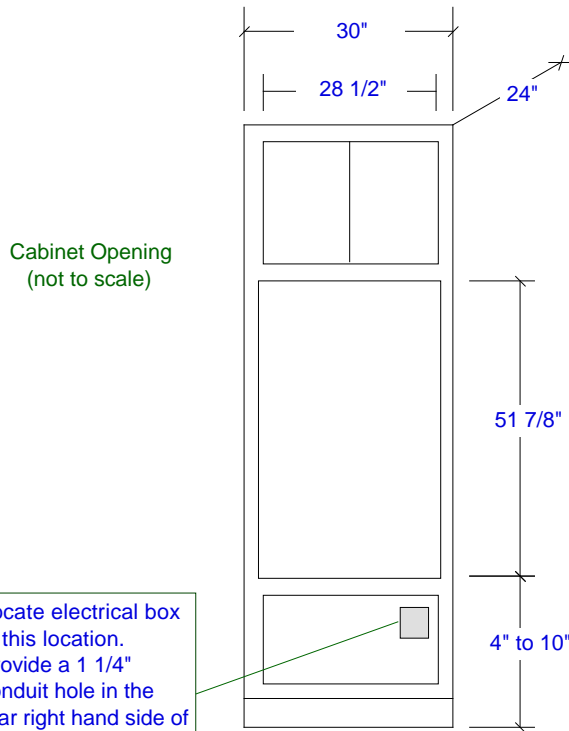
• **Additional Information** •

- Cutout height and width are ± 1/16".
- Cutout in cabinet should be level and straight. There are no provisions to level the unit after it is installed.
- Construct 5/8" minimum plywood floor flush with bottom of opening. Floor must be level and straight and capable of supporting 250 lbs.
- A three-wire, single phase, A.C. 120/208-240 volt, 60Hz cycle electrical system must be provided (Load @ 120/240VAC). 40 amp circuit recommended. 7/8" O.D. flexible cable 4 feet long is furnished by manufacturer. Mount junction box in area under plywood floor if adequate lower cabinet space is available. Locate 1 1/4" conduit access hole in the back right hand side of the plywood floor.
- For European style cabinets (flush front) the required clearance for operation of the oven door is a minimum spacing of 7/8" between the cutout and the door, hinge or drawer of the cabinet.

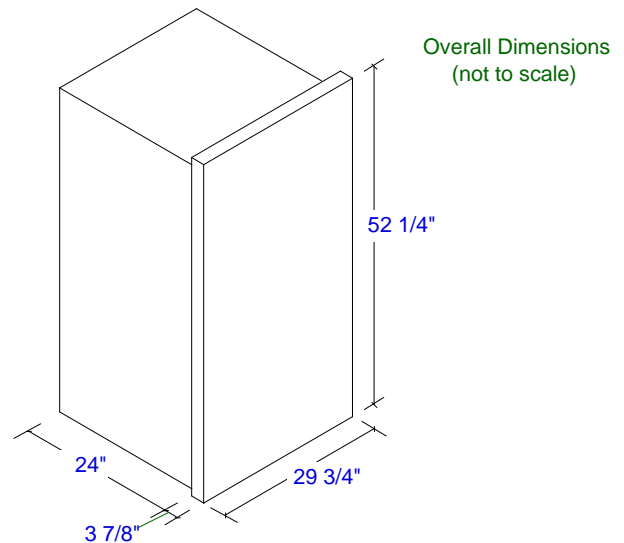
Subject to change without notice. This system is designed to be updated daily if necessary. Dimension Express is not responsible for use of superseded, voided, or outdated data sheets. Because of the difficulty or impracticability of determining actual damages, liability of Dimension Express shall not exceed \$50.00.

Copyright © Dimension Express, 2003.

466



Locate electrical box in this location. Provide a 1 1/4" conduit hole in the rear right hand side of opening floor.



Overall Dimensions (not to scale)

• NEVER reuse Data Sheets. Data Sheets are subject to change without notice. Dimension Express is a FREE service bureau and is updated daily, it makes far more sense to spend the time necessary to request new Data Sheets for each project, as opposed to the problems, time, costs, and risks associated with reusing old Data Sheets.

- Call Dimension Express if you have any questions at (775) 833-3633 •
- Always refer to a current Code at a Glance or manufacturer directory •
- Data Sheet codes change on the first of odd numbered months at 12:01am •

BN207.5 • A466 • •031211 • 101433 • 28439