

*Frigidaire*

Factory Parts Catalog

Product No.	FRS3HF55KB0	FRS3HF55KM0	FRS3HF55KQ0	FRS3HF55KS0	FRS3HF55KW0
Series	R134a	R134a	R134a	R134a	R134a
Color	black	silver mist	bisque	stainless	white
Volts	115	115	115	115	115
Wiring Diagram	241970401	241970401	241970401	241970401	241970401
Owner's Guide	241856000	241856000	241856000	241856000	241856000
Market	North America	North America	North America	North America	North America
Energy Guide	242028506	242028506	242028506	242028506	242028506
Service Data Sheet	240389636	240389636	240389636	240389636	240389636



Electrolux Major Appliances  
 North & Latin America  
 P.O. BOX 212378  
 AUGUSTA, GA 30917

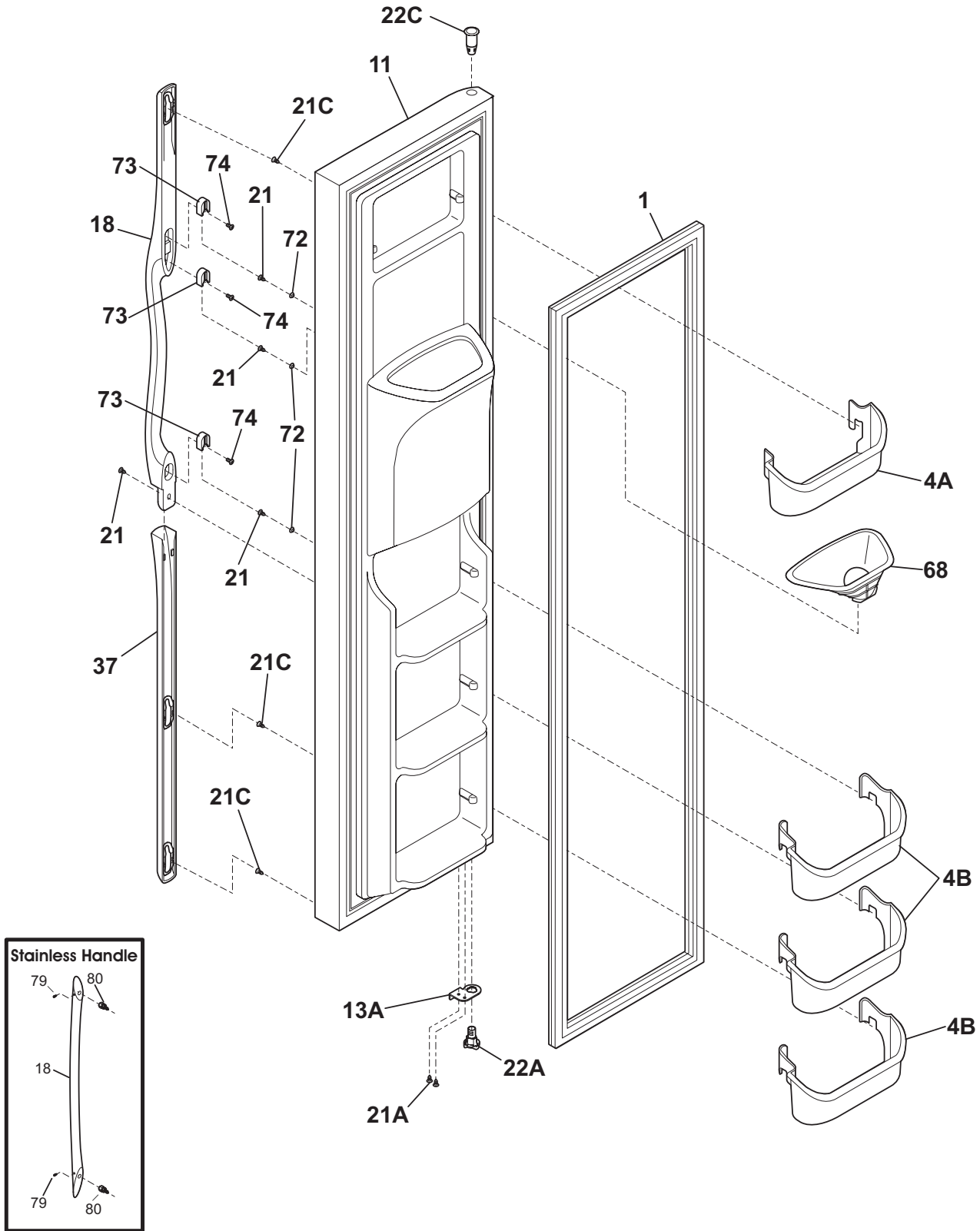
Publication No.  
**5995540464**  
 09/05/15  
 (EN/SERVICE/DCS)  
 137

**SIDE-BY-SIDE  
 REFRIGERATOR**

Model No.  
**FRS3HF55K**

Copyright © 2009 Electrolux Home Products, Inc.  
 All rights reserved.

**FREEZER DOOR**



**N58FCCBBC5**

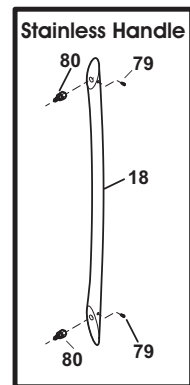
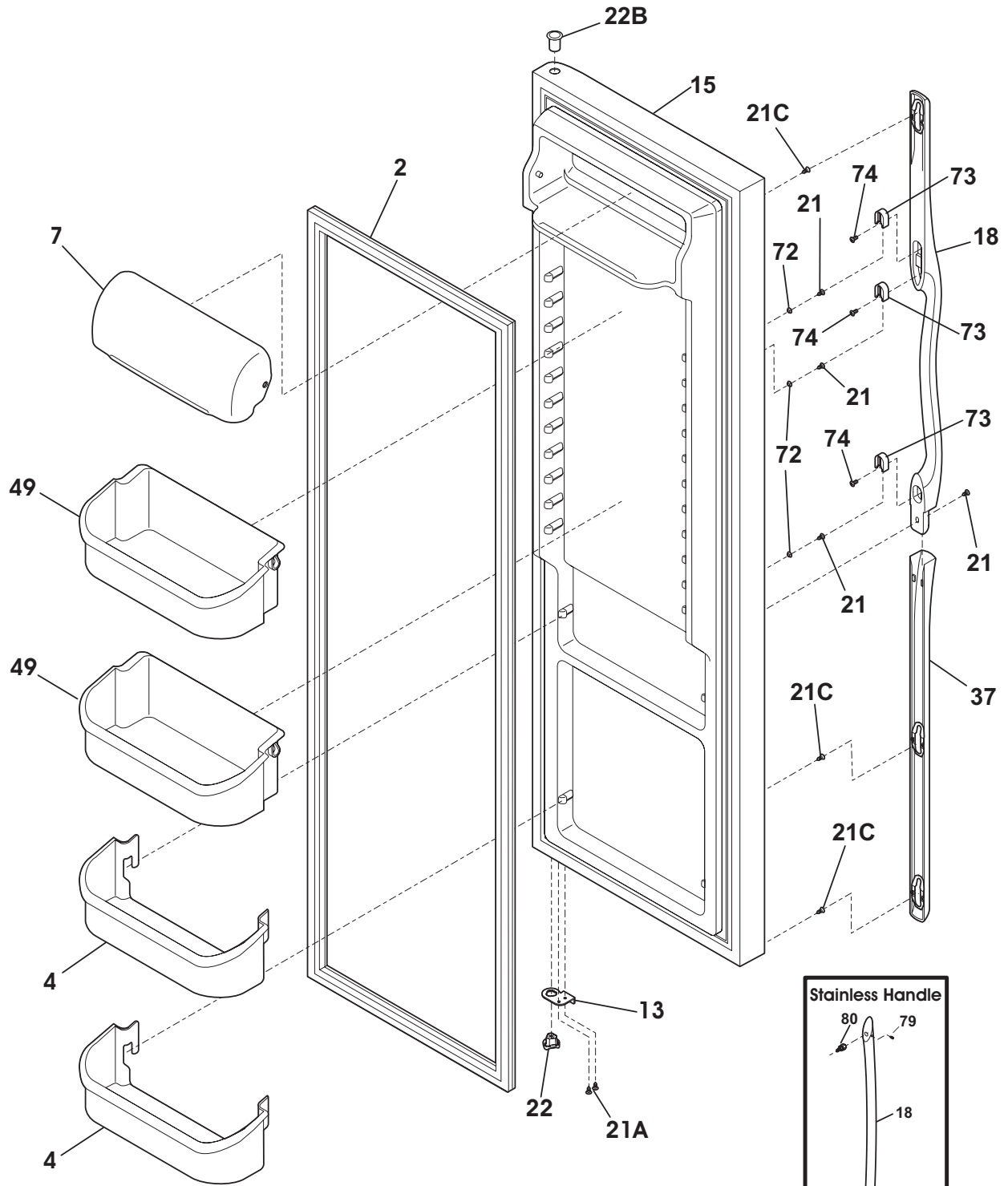
## FREEZER DOOR

---

*Model Index:*    A FRS3HF55K (FRS3HF55KB0)  
                           B FRS3HF55K (FRS3HF55KM0)  
                           C FRS3HF55K (FRS3HF55KQ0)  
                           D FRS3HF55K (FRS3HF55KS0)  
                           E FRS3HF55K (FRS3HF55KW0)

POS. NO	PART NO.		DESCRIPTION
1	241786008	A B - D -	Gasket-frzr door, black, magnetic
1	241786004	- - C - E	Gasket-frzr door, white, magnetic
4A	240367301	A B C D E	Bin-door, frzr-upper
4B	240359001	A B C D E	Bin-door
11	241668153	A - - - -	Door-frzr, black, complete assy
11	241668506	- B - - -	Door-frzr, silver mist, complete assy
11	241668129	- - C - -	Door-frzr, bisque, complete assy
11	241837139	- - - D -	Door-frzr, stainless, complete assy
11	241668104	- - - - E	Door-frzr, white, complete assy
13A	240581906	A B - D -	Door Stop, black, frzr
13A	240581904	- - C - -	Door Stop, bisque, frzr
13A	240581902	- - - - E	Door Stop, white, frzr
18	241934305	A B - - -	Handle-door, black
18	241934306	- - C - -	Handle-door, bisque
18	240536818	- - - D -	Handle-door, stainless steel, with insert, & set screw
18	241934304	- - - - E	Handle-door, white
21	218781101	A B C - E	Screw, pan head, 8-18 x 0.625
21A	240598402	A B C D E	Screw, 10-32 x 1/2
21C	240521304	A B C - E	Screw, #8-18 x 3/4
22A	242000502	A B - D -	Bearing-hinge, black, lower
22A	242000501	- - C - E	Bearing-hinge, natural, lower
22C	240328404	A B - D -	Bearing-hinge, black, upper
22C	240328402	- - C - E	Bearing-hinge, natural, upper
37	241927002	A B - - -	Trim-door handle, black, bottom
37	241927003	- - C - -	Trim-door handle, bisque, bottom
37	241927001	- - - - E	Trim-door handle, white, bottom
68	241525101	A B C D E	Chute-ice
72	240421701	A B C - E	Button-handle mtg, dovetail
73	218396700	A B C - E	Block-handle mtg, dovetail
74	215503204	A B C - E	Screw, cr pan hd, 10-16
79	218755402	- - - D -	Screw-set, 10-32 x 0.375
80	218755504	- - - D -	Screw-shoulder, #10 AB, handle mounting
*	240552102	A B C D E	Harness-wiring, door
*	240451503	A B C D E	Screw, ind hex wshr hd, 8-32 x 0.375, trilobe
*	241806601	A B C D E	Connector-water, straight
*	5303918256	A B C D E	Dispenser heater kit

REFRIGERATOR DOOR



N58RCCBBB17

## REFRIGERATOR DOOR

---

*Model Index:* A FRS3HF55K (FRS3HF55KB0)  
 B FRS3HF55K (FRS3HF55KM0)  
 C FRS3HF55K (FRS3HF55KQ0)  
 D FRS3HF55K (FRS3HF55KS0)  
 E FRS3HF55K (FRS3HF55KW0)

POS. NO	PART NO.		DESCRIPTION
2	241786007	A B - D -	Gasket-refr door, black, magnetic
2	241786003	- - C - E	Gasket-refr door, white, magnetic
4	240363702	A B C D E	Bin-door, 2-liter
7	240338303	A B C D E	Door, dairy, clear
13	240581905	A B - D -	Door Stop, black, ref
13	240581903	- - C - -	Door Stop, bisque, ref
13	240581901	- - - - E	Door Stop, white, refr
15	240451919	A - - - -	Door-refr, black, complete assy
15	241534554	- B - - -	Door-refr, silver mist, complete assy
15	240451917	- - C - -	Door-refr, bisque, complete assy
15	241534569	- - - D -	Door-refr, stainless, complete assy
15	240451913	- - - - E	Door-refr, white, complete assy
18	241934302	A B - - -	Handle-door, black
18	241934303	- - C - -	Handle-door, bisque
18	240536818	- - - D -	Handle-door, stainless steel, with insert, & set screw
18	241934301	- - - - E	Handle-door, white
21	218781101	A B C - E	Screw, pan head, 8-18 x 0.625
21A	240598402	A B C D E	Screw, 10-32 x 1/2
21C	240521304	A B C - E	Screw, #8-18 x 3/4
22	240328206	A B - D -	Bearing-hinge, black, closer
22	240328205	- - C - E	Bearing-hinge(ref), closer
22B	240328404	A B - D -	Bearing-hinge, black, upper
22B	240328402	- - C - E	Bearing-hinge, natural, upper
37	241927002	A B - - -	Trim-door handle, black, bottom
37	241927003	- - C - -	Trim-door handle, bisque, bottom
37	241927001	- - - - E	Trim-door handle, white, bottom
49	240324502	A B C D E	Bin-door, gallon
72	240421701	A B C - E	Button-handle mtg, dovetail
73	218396700	A B C - E	Block-handle mtg, dovetail
74	215503204	A B C - E	Screw, cr pan hd, 10-16
79	218755402	- - - D -	Screw-set, 10-32 x 0.375
80	218755504	- - - D -	Screw-shoulder, #10 AB, handle mounting

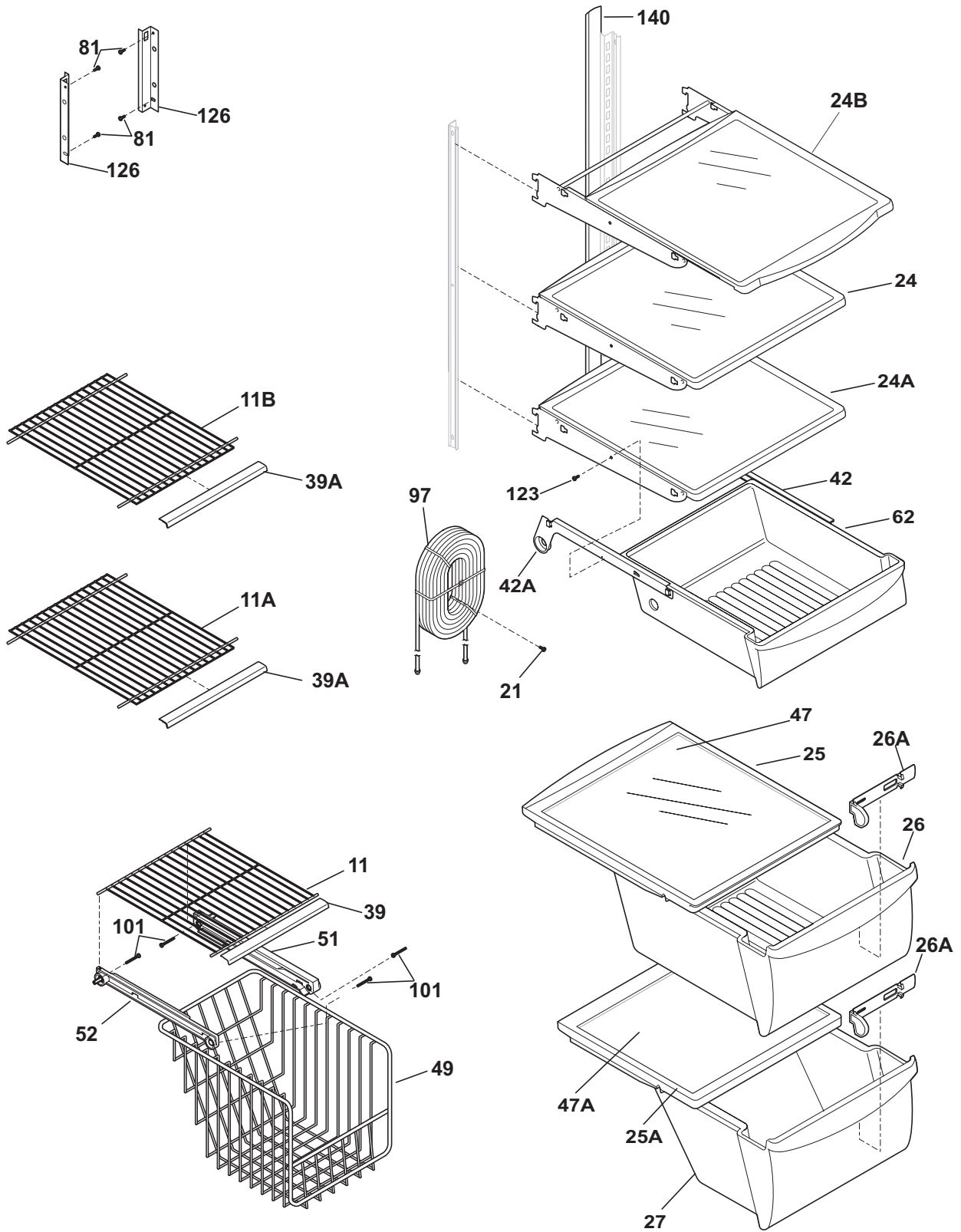


**CABINET**

*Model Index:* A FRS3HF55K (FRS3HF55KB0)  
 B FRS3HF55K (FRS3HF55KM0)  
 C FRS3HF55K (FRS3HF55KQ0)  
 D FRS3HF55K (FRS3HF55KS0)  
 E FRS3HF55K (FRS3HF55KW0)

POS. NO	PART NO.	A	B	C	D	E	DESCRIPTION
10	240435911						Cover-air duct
10A	241719710						Cover-evap coil, lower
11	5303208309						Plug-hole, factory test
14 #	240505801						Switch, light/lamp
14A	241547901						Switch-light/lamp, frzr door
21C	218252201						Screw, #8 truss hd, 10-32CA x 0.500
22	240457702						Plate-door closer
22	240457701	-	-				Plate-door closer
23	240402702						Screw-#10-32 x 1/4 flat hd
28	240335502						Bolt-roller adj, hex washer head, 1/4-20 x 4.020, (2), special
30	241603703						Bracket-lower hinge, ref
30A	241603704						Bracket-lower hinge
37	240337610						Trim-cabinet corner, black, (2)
37	240337611	-	-				Trim-cabinet corner, bisque, (2)
37	240337608	-	-				Trim-cabinet corner, white, (2)
38	240327207						Bracket-upper hinge
40	240327007						Cover-upper hinge, black
40	240327006	-	-				Cover-upper hinge, bisque
40	240327005	-	-				Cover-upper hinge, white
41	241550801						Grommet-shelf mtg, 1.40" long
41*	241550701						Grommet-shelf mtg, .96" long
42	240578902						Screw, hex head, 1/4-20 x 5/8
43	240335006						Roller Assy, front, (2)
45	241500303						Screw, hex washer head, 8-18AB x 0.500
47	240349402						Channel-shelf mtg, side, (2)
58	218781101						Screw, pan head, 8-18 x 0.625
66	5304424968						Damper Cover Assy
66*	240518802						Pin-push, push-in, plastic
72	240324405						Grille/Kickplate, black
72	240324403	-	-				Grille/Kickplate, bisque
72	240324401	-	-				Grille/Kickplate, white
81	5304455650						Screw, hex washer head, 8-15A x 0.625, low profile
82	5304418225						Roller, compressor base, rear, (2)
83	5304455655						Rivet, flat head, 1/4 OD x 1-3/4, roller pin
89	241733901						Cover-access, w/label
90	218249807						Seal-coil cover
91	240380101						Duct-ice maker
92	241710601						Screw, hex washer hd, 1/4 x 7/8, hinge mtg
100	241993101						Support-crisper cvr
100*	241993001						Support-crisper cvr
150	240368701						Guide-control bulb
*	240396801						Clamp, tube/wiring, nylon, black/natural
*	240479601						Plug, button, cab liner holes
*	5303321321						Paint, touch-up, black
*	5304414035	-	-				Paint, touch-up, bisque
*	5303321319	-	-				Paint, touch-up, white

### SHELVES



N58SJCABD11

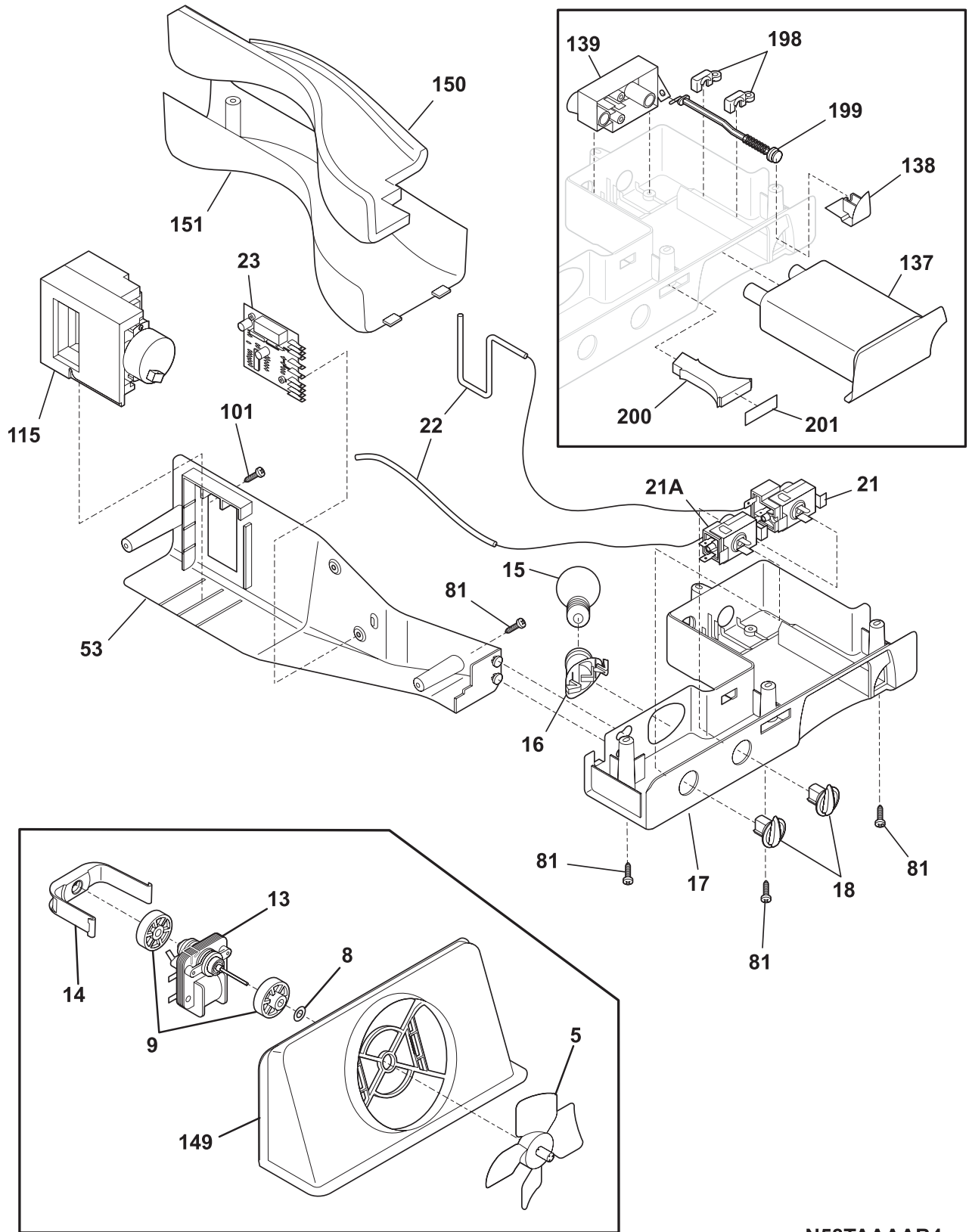


**SHELVES**

*Model Index:* A FRS3HF55K (FRS3HF55KB0)  
 B FRS3HF55K (FRS3HF55KM0)  
 C FRS3HF55K (FRS3HF55KQ0)  
 D FRS3HF55K (FRS3HF55KS0)  
 E FRS3HF55K (FRS3HF55KW0)

POS. NO	PART NO.	A	B	C	D	E	DESCRIPTION
11	241657601	A	B	C	D	E	Shelf, flip up, wire
11A	241657501	A	B	C	D	E	Shelf, fixed, freezer
11B	241657503	A	B	C	D	E	Shelf, fixed upper, freezer
21	5304455658	A	B	C	D	E	Screw, hx wshr hd sems, 8-15A x 0.625
24	240355211	A	B	C	D	E	Shelf-"Spill-Safe", fixed
24A	240355209	A	B	C	D	E	Shelf-"Spill-Safe", fixed
24B	240350107	A	B	C	D	E	Shelf-"Spill-Safe", cantilever, sliding
25	240354502	A	B	C	D	E	Cover-crisper pan, upper
25*	240362101	A	B	C	D	E	Clip-slide, cover-crisper
25A	240354602	A	B	C	D	E	Cover-crisper pan, lower
26	240354705	A	B	C	D	E	Pan-crisper, upper
26*	240349801	A	B	C	D	E	Clip-slide, pan-crisper
26A	240351101	A	B	C	D	E	Control-humidity
27	240354805	A	B	C	D	E	Pan-crisper, lower
39	240430705	A	B	C	D	E	Trim-shelf, front
39A	240430701	A	B	C	D	E	Trim-shelf, front
42	240356501	A	B	C	D	E	Track, meat pan hanger, RH
42A	240349701	A	B	C	D	E	Hanger-meat pan, LH
42A*	240349901	A	B	C	D	E	Block-meat pan rail, LH
42A*	240350001	A	B	C	D	E	Spring-meat pan rail
47	240350635	A	B	C	D	E	Insert-pan cover, glass
47A	240350614	A	B	C	D	E	Insert-pan cover, glass
49	240564301	A	B	C	D	E	Basket-sliding
51	240343002	A	B	C	D	E	Hanger-basket, RH
52	240343102	A	B	C	D	E	Hanger-basket, LH
62	240355505	A	B	C	D	E	Pan-meat
81	5304455650	A	B	C	D	E	Screw, hex washer head, 8-15A x 0.625, low profile
97	240545307	A	B	C	D	E	Water Tank
101	218493101	A	B	C	D	E	Screw, hex washer head, 8-18AB x 1-3/4
123	215005101	A	B	C	D	E	Screw, hanger/rlr mtg, 8-10 x 7/16
126	241674401	A	B	C	D	E	Channel, auger mtg, LH
126	241674402	A	B	C	D	E	Channel, auger mtg, RH
140	240430501	A	B	C	D	E	Channel, wtr tube cover
*	242028506	A	B	C	D	E	Energy Guide

**CONTROLS**



**N58TAAAAB4**

## CONTROLS

---

*Model Index:*   A FRS3HF55K (FRS3HF55KB0)  
                       B FRS3HF55K (FRS3HF55KM0)  
                       C FRS3HF55K (FRS3HF55KQ0)  
                       D FRS3HF55K (FRS3HF55KS0)  
                       E FRS3HF55K (FRS3HF55KW0)

POS. NO	PART NO.	A	B	C	D	E	DESCRIPTION
5 #	5308000010	A	B	C	D	E	Fan Blade, red, evaporator fan
8	215474201	A	B	C	D	E	Washer, "slinger", nylon, evap fan shaft
9	241563601	A	B	C	D	E	Bushing-motor mtg
13	241854601	A	B	C	D	E	Motor-evap fan
14	241517701	A	B	C	D	E	Clip, evap fan motor
15	241555401	A	B	C	D	E	Light Bulb
16	241513901	A	B	C	D	E	Socket-light
17	240374901	A	B	C	D	E	Box-control, front
17*#	241537804	A	B	C	D	E	Harness-wiring, control box
18	240360801	A	B	C	D	E	Knob, temp control
21 #	241586501	A	B	C	D	E	Control-temperature
21A#	5304421067	A	B	C	D	E	Control-temperature, frzr section
22	218660704	A	B	C	D	E	Tube, insulator, plastic
23 #	241508001	A	B	C	D	E	Control-defrost, adaptive timer, PC board
23*	5304455649	A	B	C	D	E	Screw, pan hd, 6-20 x 0.438
53	240369501	A	B	C	D	E	Box-control
81	5304455650	A	B	C	D	E	Screw, hex washer head, 8-15A x 0.625, low profile
101	241637202	A	B	C	D	E	Screw, #8AB x 1 3/4"
115	241600902	A	B	C	D	E	Damper Assy, w/seal
137	240396401	A	B	C	D	E	Filter, water, carbon cassette, front, with o'rings
137*	240396701	A	B	C	D	E	Bypass, water filter, Optional Part
138	240397301	A	B	C	D	E	Button-filter release
139	240396002	A	B	C	D	E	Base-water filter
139*	240526901	A	B	C	D	E	O-ring, wtr filter base
149	241563401	A	B	C	D	E	Shroud-fan orifice
149*	241528305	A	B	C	D	E	Seal, shroud
150	240394203	A	B	C	D	E	Insulation-water tube cover
151	240373805	A	B	C	D	E	Cover-water tube
198	240397401	A	B	C	D	E	Retainer
199	240397501	A	B	C	D	E	Rod
199*	240398401	A	B	C	D	E	Spring-filter release rod
200	240397601	A	B	C	D	E	Light Pipe
201	240398501	A	B	C	D	E	Label-control box

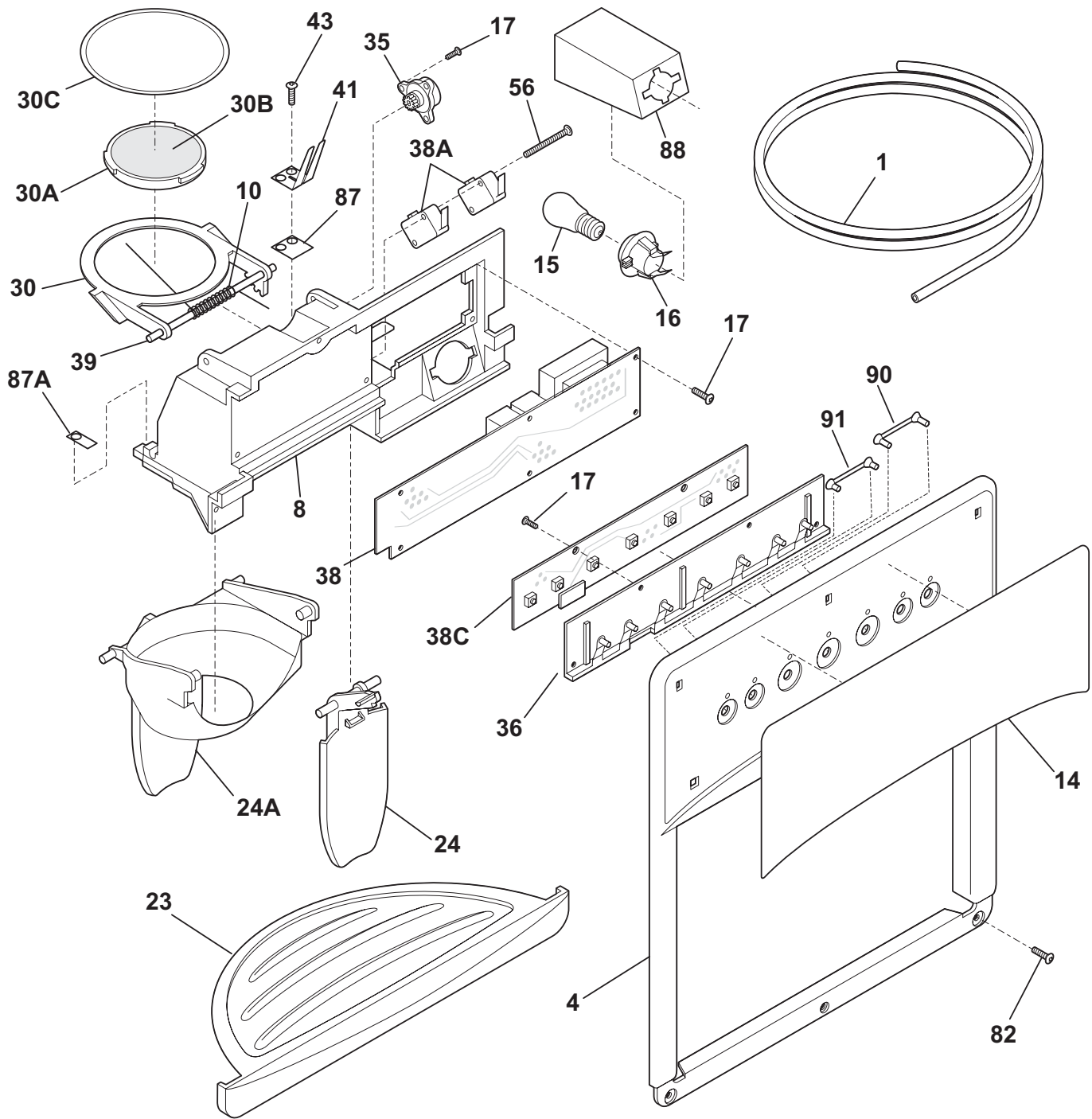


**SYSTEM**

*Model Index:* A FRS3HF55K (FRS3HF55KB0)  
 B FRS3HF55K (FRS3HF55KM0)  
 C FRS3HF55K (FRS3HF55KQ0)  
 D FRS3HF55K (FRS3HF55KS0)  
 E FRS3HF55K (FRS3HF55KW0)

POS. NO	PART NO.	A	B	C	D	E	DESCRIPTION
1	240333602	A	B	C	D	E	Condenser
3	218679606	A	B	C	D	E	Block-evap coil, styrofoam, (2)
4 #	218944001	A	B	C	D	E	Drier-filter, R134a System
6 #	241586801	A	B	C	D	E	Harness-wiring, machine compt
6*	241537804	A	B	C	D	E	Harness-wiring, control box
14 #	240316107	A	B	C	D	E	Heater-defrost
15 #	5303918286	A	B	C	D	E	Evaporator Kit
16	5308000110	A	B	C	D	E	Strap-evap/heater, aluminum, (2)
21	5303918214	A	B	C	D	E	Thermostat-defrost, kit
22	240330010	A	B	C	D	E	Base-compressor
22*	218252201	A	B	C	D	E	Screw, #8 truss hd, 10-32CA x 0.500
23	241659701	A	B	C	D	E	Grommet, compressor
25	240491503	A	B	C	D	E	Screw-compressor mtg, 1/4-28 x 1.16, (4)
26	241697601	A	B	C	D	E	Pan-defrost
29 #	5303918359	A	B	C	D	E	Compressor, w/o electricals
30 #	241707712	A	B	C	D	E	Starter, PTC
32	241650901	A	B	C	D	E	Clamp, elec cont mtg, compressor
34	240405201	A	B	C	D	E	Grommet, rubber, black, cond tube/wire
41	240555002	A	B	C	D	E	Screw-#8-32 X 3/8
44	215174700	A	B	C	D	E	Clamp-service cord, strain relief, galv steel
45	5304455650	A	B	C	D	E	Screw, hex washer head, 8-15A x 0.625, low profile
55	218909913	A	B	C	D	E	Capacitor, run, 220 VAC, 15 microfarad
58	240433203	A	B	C	D	E	Screw, hex washer head, 8-18 x 3/8
59	240315502	A	B	C	D	E	Shroud-cond fan
59*	240346701	A	B	C	D	E	Tape-foam seal, shroud
59*	240359403	A	B	C	D	E	Screw-fan shroud, (2)
59A	240346501	A	B	C	D	E	Bracket-support, cond mtr, (3)
59B	240346601	A	B	C	D	E	Grommet-bracket, (3)
60	241584301	A	B	C	D	E	Motor-condenser fan
61	241639501	A	B	C	D	E	Blade-condenser fan
62	240429401	A	B	C	D	E	Trough-drain
70	218990801	A	B	C	D	E	Bracket-evap/cvr mtg
82	5304418225	A	B	C	D	E	Roller, compressor base, rear, (2)
83	5304455655	A	B	C	D	E	Rivet, flat head, 1/4 OD x 1-3/4, roller pin
84	241957901	A	B	C	D	E	Tube-drain, lower
85	241856903	A	B	C	D	E	Tube-connector, suction
86	240409302	A	B	C	D	E	Spacer-cond tube, black
*	5303918222	A	B	C	D	E	Hot Tube Repair Kit, service
* #	5303918328	A	B	C	D	E	Heat Exchanger Kit, suction line, service

ICE & WATER DISPENSER



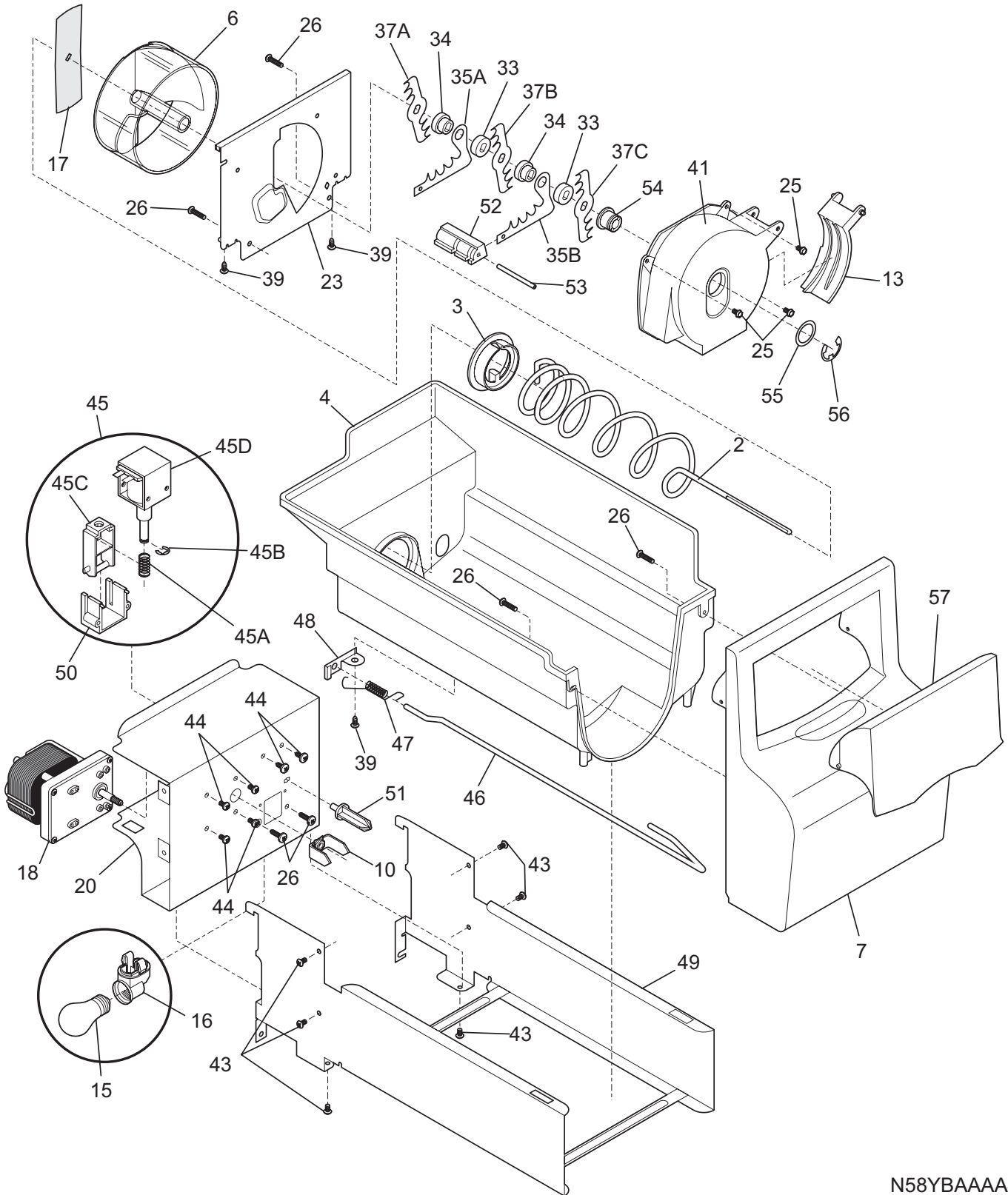
N58XBAAAB1

## ICE &amp; WATER DISPENSER

Model Index: A FRS3HF55K (FRS3HF55KB0)  
 B FRS3HF55K (FRS3HF55KM0)  
 C FRS3HF55K (FRS3HF55KQ0)  
 D FRS3HF55K (FRS3HF55KS0)  
 E FRS3HF55K (FRS3HF55KW0)

POS. NO	PART NO.	A	B	C	D	E	DESCRIPTION
1	218976409						Tube, water, door
1*	218976418						Tube-water inlet, inlet valve, to filter
1*	218976419						Tube-water inlet, valve to door
1*	218976915						Tube-water inlet, inlet valve, to filter
1*	240561701						Seal-water inlet, inlet valve, to ice maker
4	241678703						Cover-module, black
4	241678702						Cover-module, bisque
4	241678701						Cover-module, white
8	241680507						Module-dispenser
8	241680506						Module-dispenser
8	241680505						Module-dispenser
10	241688901						Spring-torsion
14	240323998						Label-module cover, black
14	241611208						Label-module cover, bisque
14	241611207						Label-module cover, white
15	241689401						Light Bulb
16	240548901						Socket-light
17	241679801						Screw
23	241649003						Drip Tray, black
23	241649002						Drip Tray, bisque
23	241649001						Drip Tray, white
24	241682003						Actuator-water, black
24	241682002						Actuator-water, bisque
24	241682001						Actuator-water, white
24A	241681903						Actuator-ice, black
24A	241681902						Actuator-ice, bisque
24A	241681901						Actuator-ice, white
30	241688401						Door Assy-ice chute
30A	241688501						Door center
30B	241688601						Insulation-door
30C	241688701						Door seal
35	241689301						Damper-rotary
36	241680301						Carrier
38 #	241708202						Board-power
38A#	241689101						Switch-micro, single pole, double throw
38C#	241708309						Board-control
38C*	241680001						Harness-ribbon cable
39	241688801						Pin-hinge
41	241689001						Spring-actuator
43	215296301						Screw, plask h/l, #6 x 3/8
56	241689201						Screw-micro switch, pan head
82	240363402						Screw-#8-18 X 1/2, #6 hd plask
87	241688302						Bearing Plate
87A	241688301						Bearing Plate
88	241686101						Shield-light
90	241680201						Light Pipe, reflector, long
91	241680101						Light Pipe, reflector, short
*	218515403						Clip-grille
*	241686201						Insulator-electrical
*	5303918256						Dispenser heater kit

ICE CONTAINER



N58YBAAAA4

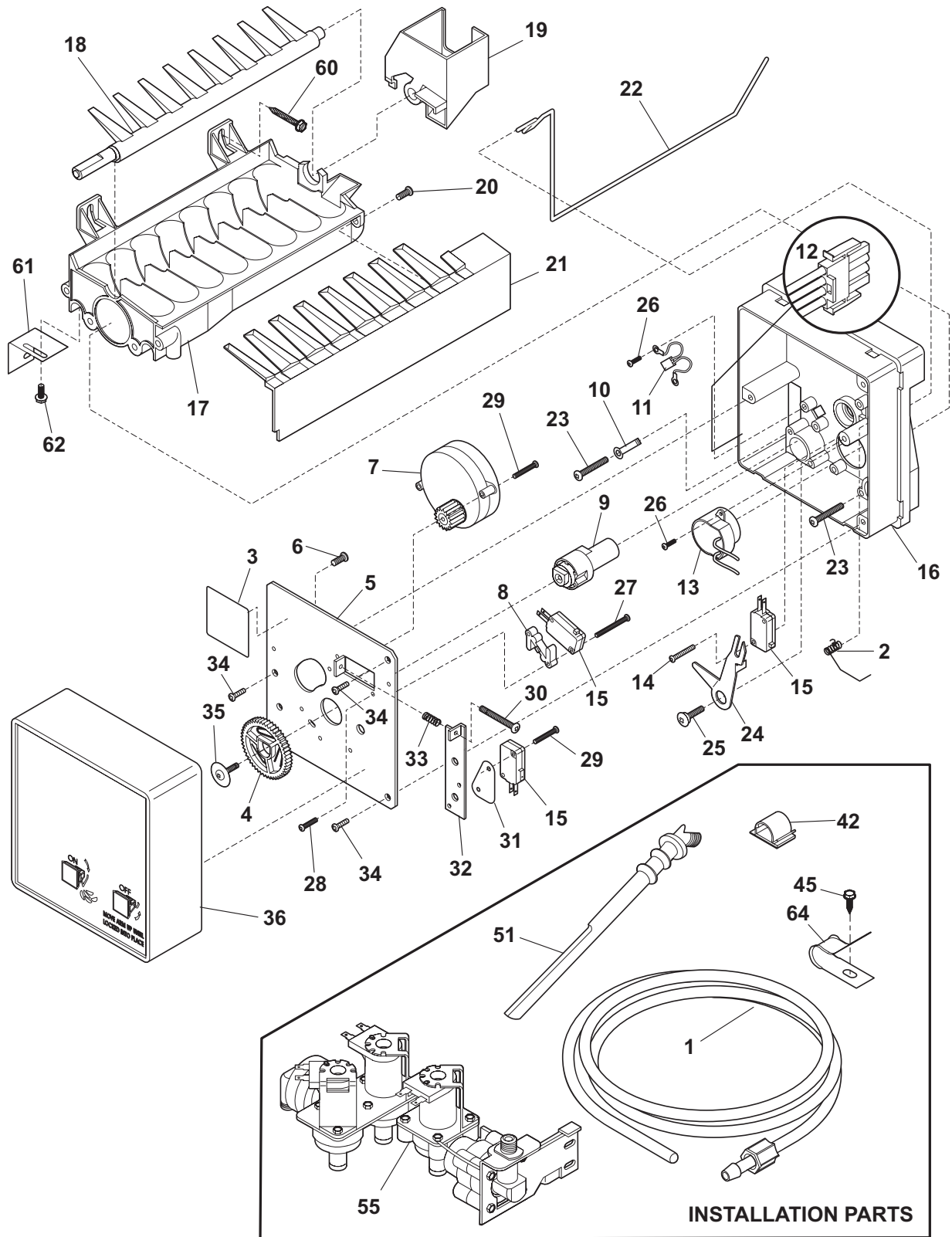


## ICE CONTAINER

Model Index: A FRS3HF55K (FRS3HF55KB0)  
 B FRS3HF55K (FRS3HF55KM0)  
 C FRS3HF55K (FRS3HF55KQ0)  
 D FRS3HF55K (FRS3HF55KS0)  
 E FRS3HF55K (FRS3HF55KW0)

POS. NO	PART NO.	A	B	C	D	E	DESCRIPTION
2	241716101						Auger-ice
3	241685201						Cam-drive
4	241734001						Container-ice, bucket only
6	241685101						Drum-ice disp
7	241734201						Front-ice container
10	241726501						Bar-drive
13	241685301						Gate
15	241555401						Light Bulb
16	241559801						Socket-light
17	241684501						Drive Blade
18	241676201						Motor-auger
18*#	241578401						Wiring Harness, auger motor
20	241734802						Cover-motor
23	241684001						Plate-front
25	241690701						Screw, hex washer head, 8-32T x 0.375
26	215503203						Screw, cr pan hd, 10-16 x 0.500
33	241684801						Spacer
34	241689801						Spacer
35A	241684301						Fixed Blade, round
35B	241684201						Fixed Blade, square
37A	241684101						Blade, crusher #1
37B	241684102						Blade, crusher #2
37C	241684103						Blade, crusher #3
39	241690501						Screw
41	241685601						Housing-crusher
43	218359202						Screw, pan head, 8-32 x 0.250
44	241842101						Screw, 8-32 x 1/4
45 #	241675701						Solenoid Assy, 115V
45A	241675901						Spring-solenoid
45B	241676001						E-Ring-solenoid
45C	241676101						Actuator-solenoid
45D#	241675801						Solenoid, 115V
46	241716002						Control Rod
47	241731801						Spring-control rod
48	241684602						Bracket-control rod
49	241734401						Rail Assy
50	241675601						Guide-solenoid
51	241676301						Rotation Stop
52	241684901						Spacer-fixed blades
53	241690402						Pin-spiral, fixed blades
54	241685001						Nut-auger
55	241690306						Washer
56	241690201						E-ring
57	241734101						Door-access
*	240507202						Deflector-ice container
*	241860803						Ice Container Assy, w/moving parts

ICE MAKER



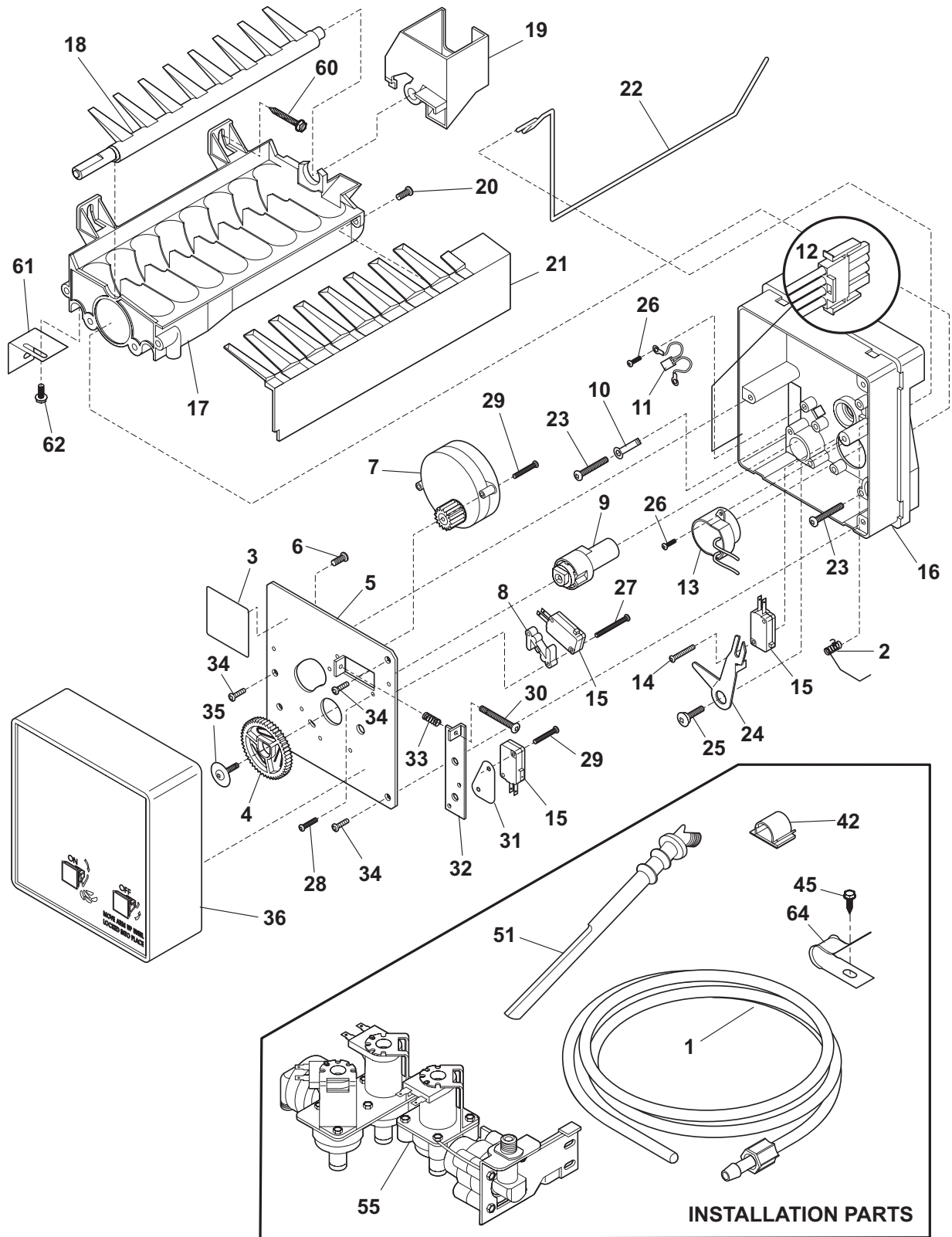
N5811151-1

**ICE MAKER**

*Model Index:* A FRS3HF55K (FRS3HF55KB0)  
 B FRS3HF55K (FRS3HF55KM0)  
 C FRS3HF55K (FRS3HF55KQ0)  
 D FRS3HF55K (FRS3HF55KS0)  
 E FRS3HF55K (FRS3HF55KW0)

POS. NO	PART NO.	A	B	C	D	E	DESCRIPTION
1	218976409	A	B	C	D	E	Tube, water, door
1*	218976418	A	B	C	D	E	Tube-water inlet, inlet valve, to filter
1*	218976419	A	B	C	D	E	Tube-water inlet, valve to door
1*	218976915	A	B	C	D	E	Tube-water inlet, inlet valve, to filter
1*	240561701	A	B	C	D	E	Seal-water inlet, inlet valve, to ice maker
2	5304456650	A	B	C	D	E	Spring-shutoff arm, ice maker
3	5304456657	A	B	C	D	E	Nameplate
4	5304456658	A	B	C	D	E	Gear
5	5304456659	A	B	C	D	E	Plate-mounting
6	5304456691	A	B	C	D	E	Screw, M 3x20 #3, valve plate
7 #	5304445222	A	B	C	D	E	Motor-ice maker Svo
7*	5304445223	A	B	C	D	E	Spring Beam
8	5304456661	A	B	C	D	E	Spacer-hold switch
9	5304456662	A	B	C	D	E	Cam
10	5304456689	A	B	C	D	E	Washer, nylon
11 #	5304456663	A	B	C	D	E	Thermal Cutoff, ice maker, complete assy
12	5304456664	A	B	C	D	E	Harness-wiring
13	5304456665	A	B	C	D	E	Thermostat, ice maker
14	5304455676	A	B	C	D	E	Screw, plask, 4x14x3/4
15 #	5304456667	A	B	C	D	E	Switch-micro, (3)
16	5304456668	A	B	C	D	E	Support
17	5304456669	A	B	C	D	E	Mold-ice maker, w/therm cut off
18 #	5304456670	A	B	C	D	E	Ejector-ice
18*	241578401	A	B	C	D	E	Wiring Harness, auger motor
19	5304456671	A	B	C	D	E	Bearing & Inlet, fill cup
20	5304455677	A	B	C	D	E	Screw, 8-32 x 3/8
21	5304456672	A	B	C	D	E	Ice Stripper
22	5304456673	A	B	C	D	E	Shut-off Arm
23	5304456674	A	B	C	D	E	Screw, M 4x25 #2, mold-to-support, (2)
24	5304456675	A	B	C	D	E	Lever Arm
25	5304456676	A	B	C	D	E	Screw, M 4x12.8 #2, lever arm/sprt
26	5304455680	A	B	C	D	E	Screw, plask, 4-14 x 3/8
27	5304456677	A	B	C	D	E	Screw, M 3x25 #3, hold switch mtg, (2)
28	5304456660	A	B	C	D	E	Screw, M 4x6 #2
29	5304456678	A	B	C	D	E	Screw, M 3x12 #3, (2)
30	5304456679	A	B	C	D	E	Screw-timing adj, M 4x25 #3
31	5304456680	A	B	C	D	E	Insulator
32	5304456681	A	B	C	D	E	Plate-valve switch
33	5304456682	A	B	C	D	E	Spring, timing adjust
34	5304456683	A	B	C	D	E	Screw, M 4x12 #2, (3)
35	5304456684	A	B	C	D	E	Screw
36	5304456685	A	B	C	D	E	Cover-ice maker
36*	5304456690	A	B	C	D	E	Label, ID plate
42	218515403	A	B	C	D	E	Clip-grille
45	5304455650	A	B	C	D	E	Screw, hex washer head, 8-15A x 0.625, low profile
51	241796401	A	B	C	D	E	Tube-water fill, extension

ICE MAKER



N5811151-1

**ICE MAKER**

*Model Index:* A FRS3HF55K (FRS3HF55KB0)  
 B FRS3HF55K (FRS3HF55KM0)  
 C FRS3HF55K (FRS3HF55KQ0)  
 D FRS3HF55K (FRS3HF55KS0)  
 E FRS3HF55K (FRS3HF55KW0)

POS. NO	PART NO.	A	B	C	D	E	DESCRIPTION
55 #	241734301	A	B	C	D	E	Valve-water, triple solenoid
55*	218709101	A	B	C	D	E	Screw, hex head, 10-32 x 0.500
55*	240363602	A	B	C	D	E	Screw-shoulder
55*	240542901	A	B	C	D	E	Cap-water valve
60	5303207328	A	B	C	D	E	Screw, hex washer head, 8-15A x 1.000, (2)
61	5304456686	A	B	C	D	E	Bracket-leveling, ice maker
62	5304456687	A	B	C	D	E	Screw-IM brkt mtg, pan hd phillips, 8-32T x 0.375
64	5303001549	A	B	C	D	E	Clamp, 0.31 ID, steel, copper wtr line
*	241642501	A	B	C	D	E	Ice Maker, radius cube, 115 V, Svce
*	241806601	A	B	C	D	E	Connector-water, straight
*	5304456666	A	B	C	D	E	Screw, M 3x20 #2, (6)
*	5304456688	A	B	C	D	E	Terminal
*	5304456692	A	B	C	D	E	Washer
*	5304456693	A	B	C	D	E	Nut, M 3.5
*	5304456737	A	B	C	D	E	Washer

### WIRING SCHEMATIC

