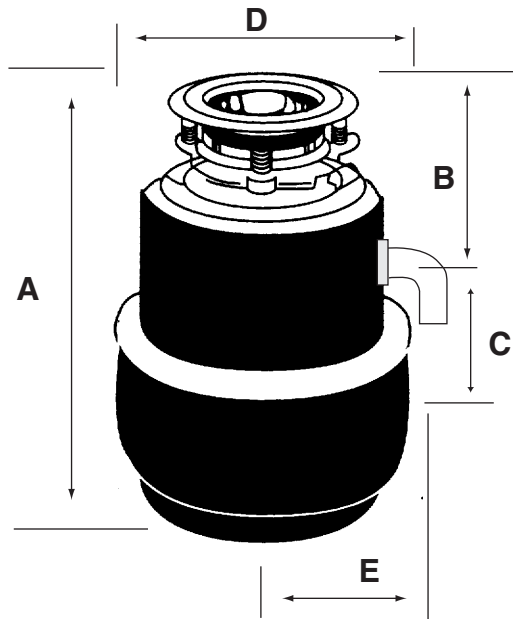




MAYTAG ONLINE <http://www.maytag.com>

## FOOD WASTE DISPOSER



### DFC7500AAX

#### Dimensions

■	Inches □	Centimeters
A □	12 3/4 □	32.4
B <sup>1</sup> □	6 7/8 □	17.5
C <sup>2</sup> □	4 □	10.2
D □	7 3/4 □	19.7
E <sup>3</sup> □	5 3/4 □	14.6

#### Notes:

1. □ Distance from bottom of sink to center line of disposer outlet. Add 1/2" (1.3 cm) when stainless steel sinks are used.

2. □ Length of discharge tube from center line of disposer outlet to end of discharge tube.

3. □ Distance from center of disposer outlet to center of disposer.

**IMPORTANT:** Plumb waste line to prevent standing water in disposer motor housing.

When routing a dishwasher drain into disposer, be sure to remove the disposer motor housing.

**Important:** Because of continuing product improvements, Maytag reserves the right to change specifications without notice. Dimensional specifications are provided for planning purposes only. For complete details see installation instructions that accompany each product before selecting cabinetry, making cutouts or beginning installation.