



Frigidaire

Factory Parts Catalog

Product No.	FGGC3665KBA	FGGC3665KSA	FGGC3665KWA
	3775642389061	37756423890S1	3775643389011
Series	36" gas	36" gas	36" gas
Color	black	stainless	white
Market	North America	North America	North America
Wiring Diagram	318047112	318047112	318047112
Owner's Guide	318203658	318203658	318203658
Installation Instructions	318201482	318201482	318201482

 **Electrolux**

Electrolux Major Appliances
North & Latin America
P.O. BOX 212378
AUGUSTA, GA 30917

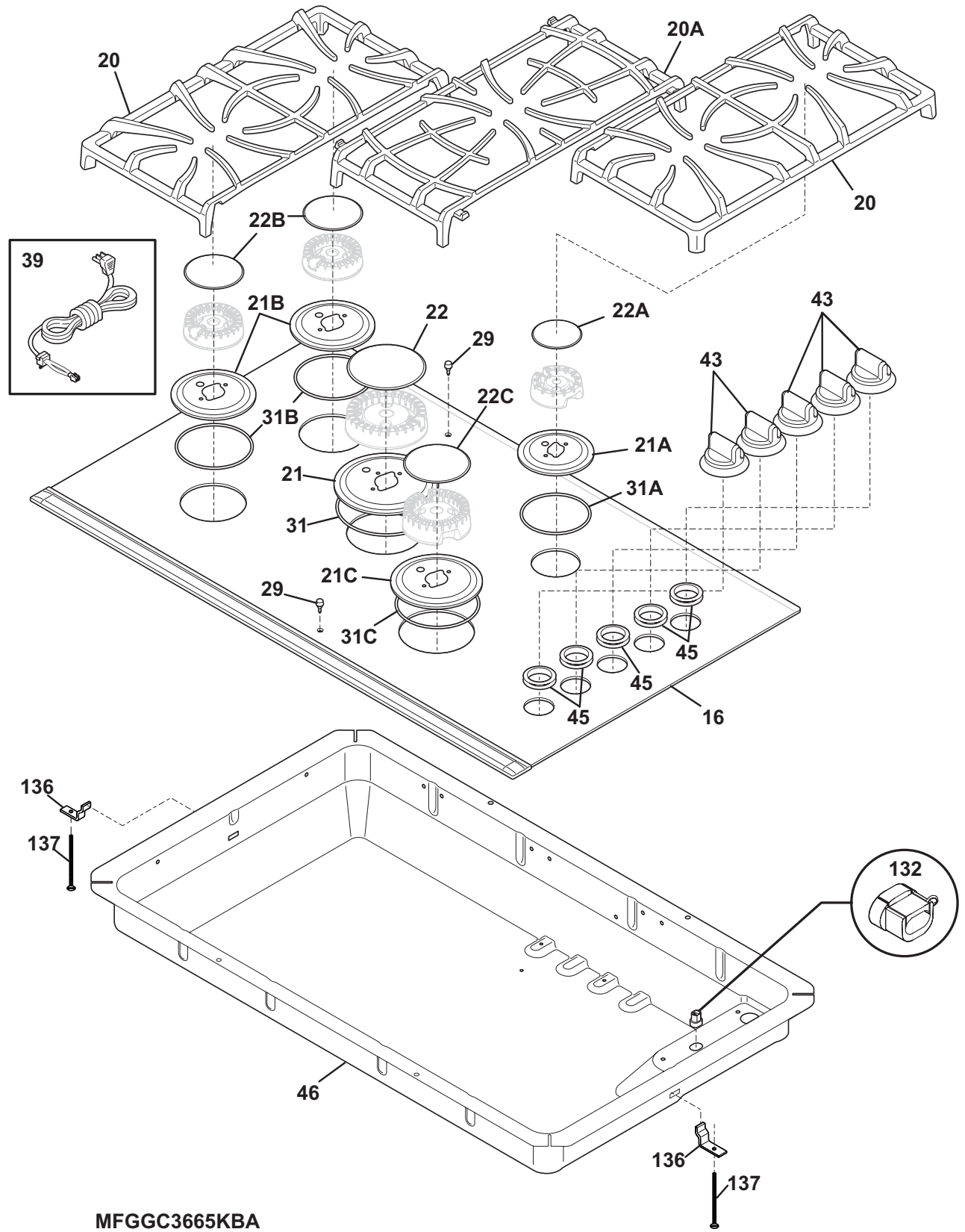
Publication No.
5995542379
09/06/08
(EN/SERVICE/ECL)
377

36" GAS COOK-TOP

Model No.
FGGC3665K

Copyright © 2009 Electrolux Home Products, Inc.
All rights reserved.

COOK TOP



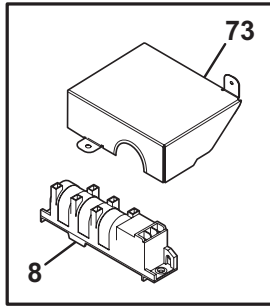
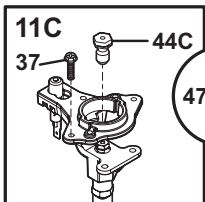
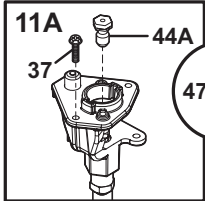
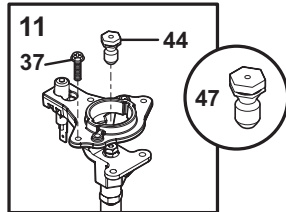
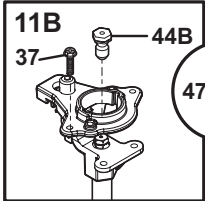
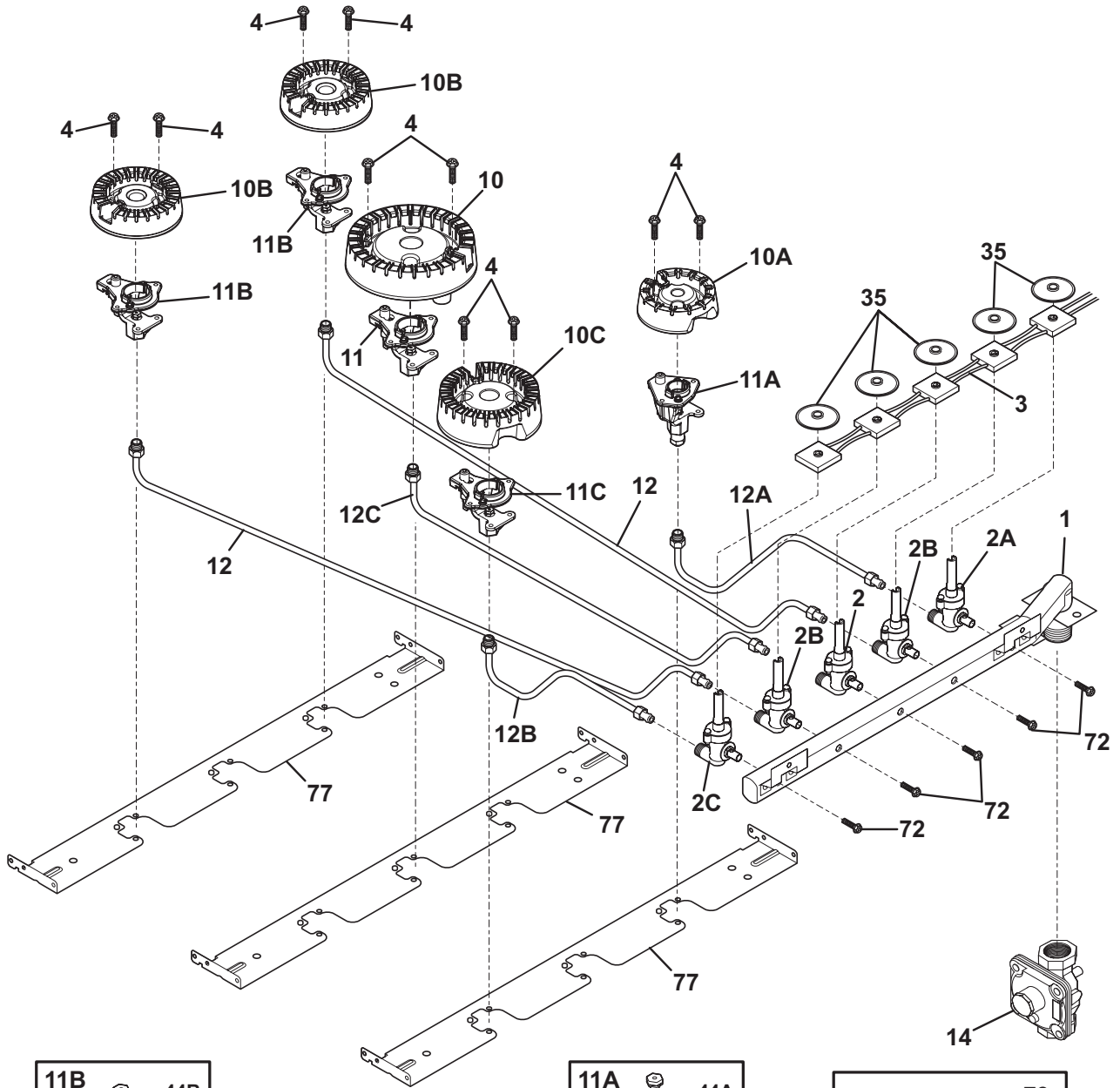
MFGGC3665KBA

COOK TOP

Model Index: A FGGC3665K (FGGC3665KBA)
 B FGGC3665K (FGGC3665KSA)
 C FGGC3665K (FGGC3665KWA)

POS. NO	PART NO.		DESCRIPTION
16	318574610	A - -	Maintop Assembly, glass/steel, black, w/frnt trim
16	318574611	- B -	Maintop Assembly, glass/steel, black/stainless, w/fnt-rear trim
16	318574612	- - C	Maintop Assembly, glass/steel, white, w/frnt trim
20	318560250	A B C	Grate, burner, black, (2)
20A	318560450	A B C	Grate, black, center
21	318293204	A B C	Skirt, 17K burner, black
21A	318293107	A B C	Skirt, 5K burner, black
21B	318293007	A B C	Skirt, 9.5K burner, black
21C	318292907	A B C	Skirt, 12K burner, black
22	316438504	A B C	Cap, 16/17K-burner, black
22A	316438304	A B C	Cap, 5K burner, black
22B	316527704	A B C	Cap, 9.5K burner, black, medium
22C	316438104	A B C	Cap, 12K-burner, black
29	318147432	A B C	Locator, grate, rubber, (4)
31	316242004	A B C	Seal, 16K/17K burner
31A	316242002	A B C	Seal, 5K/9.5K burner
31B	316242001	A B C	Seal, 9.5k/12k burner
31C	316242000	A B C	Seal, 12K/14K burner
39	318144006	A B C	Cord, service
43	316564607	A - -	Knob, top valve, black
43	316564605	- B -	Knob, control, stainless, single
43	316545104	- - C	Knob, top valve, white
45	318146201	A B C	Bushing, black
46	318279007	A B C	Box, burner
*	5303323168	A B C	Tape, aluminum, 3" wide
132	3201437	A B C	Strain relief
136	318264301	A B C	Support, box, (2)
137	5303285443	A B C	Screw, lock bracket, 10-24 x 2.00
*	318163601	A B C	Cleaner-cooktop
*	318163602	- B -	Cleaner, stainless steel
*	5303307980	A B C	Screw, 8-32 x 0.437, (8)
*	5303323140	A B C	Screw, ground, 10-32 x 0.375

BURNER



BRFGGC3665KBA

BURNER

Model Index: A FGGC3665K (FGGC3665KBA)
 B FGGC3665K (FGGC3665KSA)
 C FGGC3665K (FGGC3665KWA)

POS. NO	PART NO.		DESCRIPTION
1	318177016	A B C	Manifold Pipe
2 #	318233940	A B C	Valve, top burner, 16/17K
2A #	318233900	A B C	Valve, top burner, 5000 BTU
2B #	318233910	A B C	Valve, top burner, 9500 BTU
2C #	318233920	A B C	Valve, top burner, 12000 BTU
3 #	318232621	A B C	Wiring Harness, w/igntr switch
4	5304472956	A B C	Screw, hex wash, 6-32 x .485
8 #	318079001	A B C	Module, spark
*	5303307980	A B C	Screw, 8-32 x 0.437, (8)
10 #	316438400	A B C	Burner, sealed, 16/17K
10A#	316438200	A B C	Burner, sealed, 5K
10B#	316558300	A B C	Burner, sealed, 9.5K
10C#	316438000	A B C	Burner, sealed, 12K
11 #	316543203	A B C	Ignitor/orifice assy., top burner, 17K, w/holder
11A#	316540800	A B C	Ignitor/orifice assy., top burner, 5K, w/holder
11B#	316540700	A B C	Ignitor/orifice assy., top burner, 9.5K, w/holder
11C#	316540702	A B C	Ignitor/orifice assy., top burner, 12K, w/holder
12 #	318560710	A B C	Tube, burner, LF & LR, (2)
12A#	318560712	A B C	Tube, burner, RR
12B#	318560713	A B C	Tube, burner, RF
12C#	318560714	A B C	Tube, burner, center
14 #	318122717	A B C	Regulator, pressure
35	318146301	A B C	Bushing
37	5303323130	A B C	Screw, 8 x 1/4, (6)
44 #	316527509	A B C	Orifice, top burner, 17K
44A	316527504	A B C	Orifice, top burner, 5K
44B	316527500	A B C	Orifice, top burner, 9.5K
44C	316527502	A B C	Orifice, top burner, 12K
47 #	318565401	A B C	Conversion Kit, LP
72	316215600	A B C	Screw, valve mtg., 1/4 - 20
73	318024209	A B C	Deflector, spark module
77	318564100	A B C	Bracket, transverse
* #	318199780	A B C	Wiring Harness, ignitor
*	5303211311	A B C	Screw, 8 x 0.500
*	5303300195	A B C	Screw, 10-32 x 0.375, (2)
*	5303323140	A B C	Screw, ground, 10-32 x 0.375

WIRING DIAGRAM

