



Frigidaire

Factory Parts Catalog

Product No.	FGGC3065KBA	FGGC3065KSA	FGGC3065KWA
	3775622389061	37756223890S1	3775623389011
Series	30" gas	30" gas	30" gas
Color	black	stainless	white
Market	North America	North America	North America
Wiring Diagram	318047111	318047111	318047111
Owner's Guide	318203658	318203658	318203658
Installation Instructions	318201482	318201482	318201182

 **Electrolux**

Electrolux Major Appliances
North & Latin America
P.O. BOX 212378
AUGUSTA, GA 30917

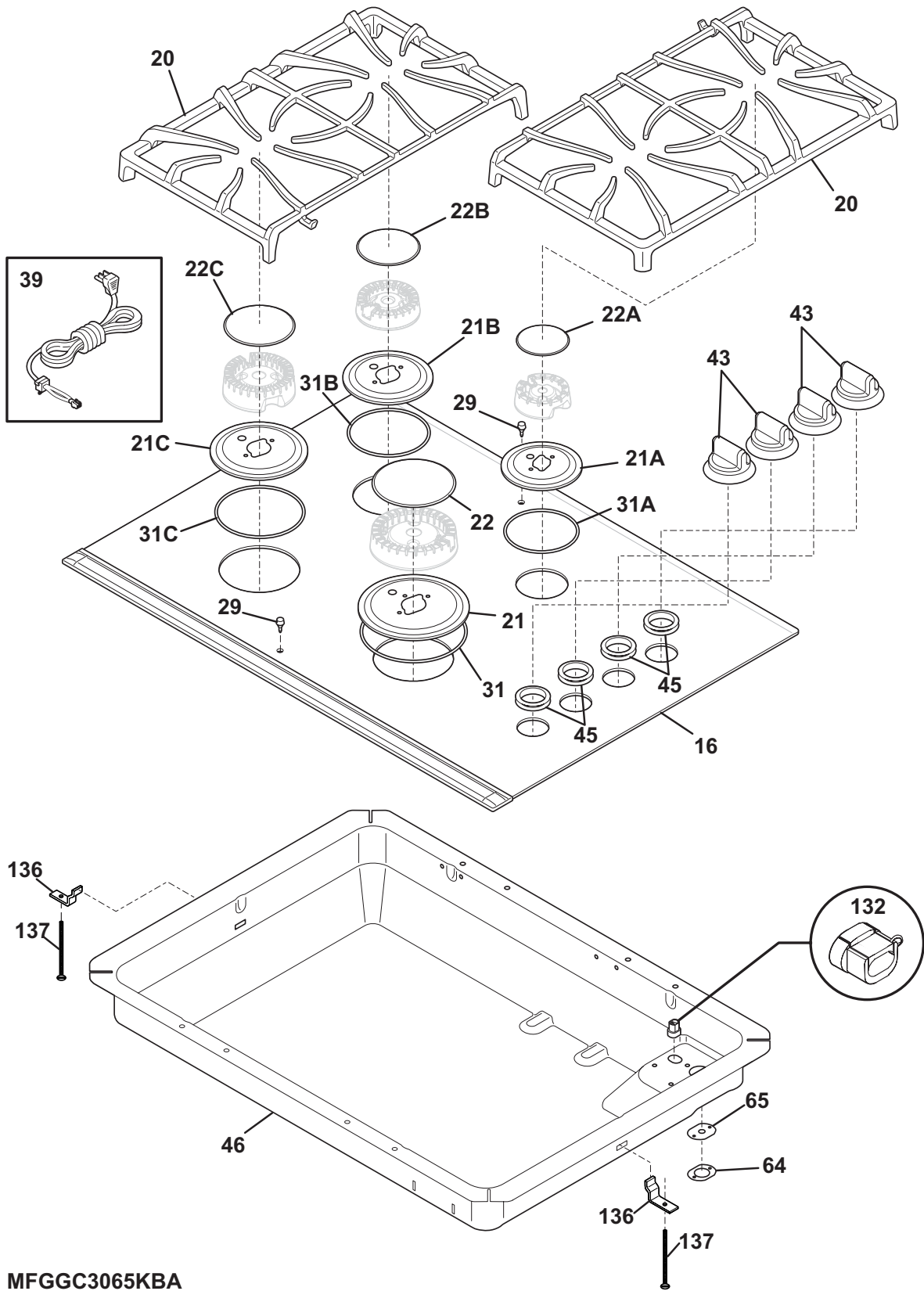
Publication No.
5995542304
09/06/08
(EN/SERVICE/ECL)
377

30" GAS COOK-TOP

Model No.
FGGC3065K

Copyright © 2009 Electrolux Home Products, Inc.
All rights reserved.

COOK TOP



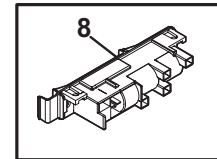
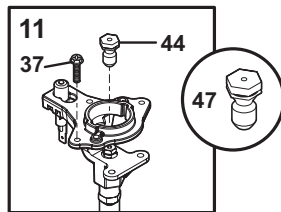
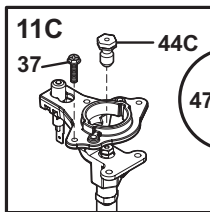
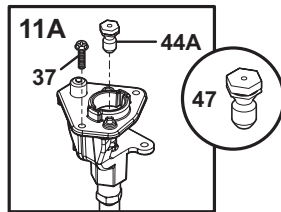
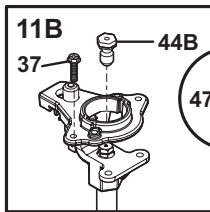
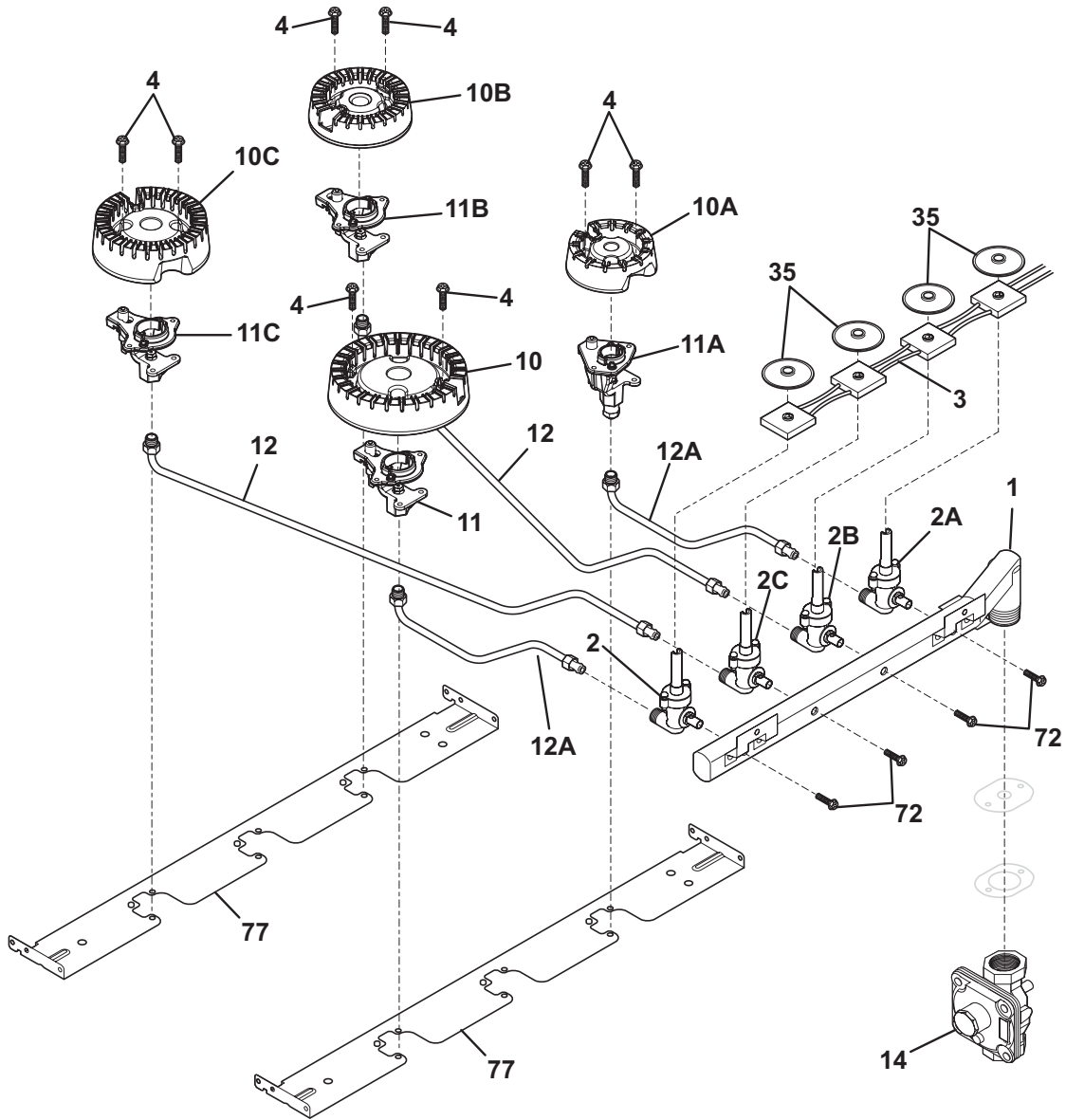
MFGGC3065KBA

COOK TOP

Model Index: A FGGC3065K (FGGC3065KBA)
 B FGGC3065K (FGGC3065KSA)
 C FGGC3065K (FGGC3065KWA)

POS. NO	PART NO.		DESCRIPTION
16	318574600	A - -	Maintop Assembly, glass/steel, black, w/frnt trim
16	318574601	- B -	Maintop Assembly, glass/steel, black/stainless, w/fnt-rear trim
16	318574602	- - C	Maintop Assembly, glass/steel, white, w/frnt trim
20	318560230	A B C	Grate, burner, black, (2)
21	318293204	A B C	Skirt, 17K burner, black
21A	318293107	A B C	Skirt, 5K burner, black
21B	318293007	A B C	Skirt, 9.5K burner, black
21C	318292907	A B C	Skirt, 12K burner, black
22	316438504	A B C	Cap, 16/17K-burner, black
22A	316438304	A B C	Cap, 5K burner, black
22B	316527704	A B C	Cap, 9.5K burner, black, medium
22C	316438104	A B C	Cap, 12K-burner, black
29	318147432	A B C	Locator, grate, rubber, (4)
31	316242004	A B C	Seal, 16K/17K burner
31A	316242002	A B C	Seal, 5K/9.5K burner
31B	316242001	A B C	Seal, 9.5k/12k burner
31C	316242000	A B C	Seal, 12K/14K burner
39	318144006	A B C	Cord, service
43	316564607	A - -	Knob, top valve, black
43	316564605	- B -	Knob, control, stainless, single
43	316545104	- - C	Knob, top valve, white
45	318146201	A B C	Bushing, black
46	318278908	A B C	Box, burner
*	5303323168	A B C	Tape, aluminum, 3" wide
64	5303304033	A B C	Bracket, retainer
*	5303307980	A B C	Screw, 8-32 x 0.437, (8)
65	5303304032	A B C	Seal, rubber
132	3201437	A B C	Strain relief
136	318264301	A B C	Support, box, (2)
137	5303285443	A B C	Screw, lock bracket, 10-24 x 2.00
*	318163601	A B C	Cleaner-cooktop
*	318163602	- B -	Cleaner, stainless steel
*	5303323140	A B C	Screw, ground, 10-32 x 0.375

BURNER



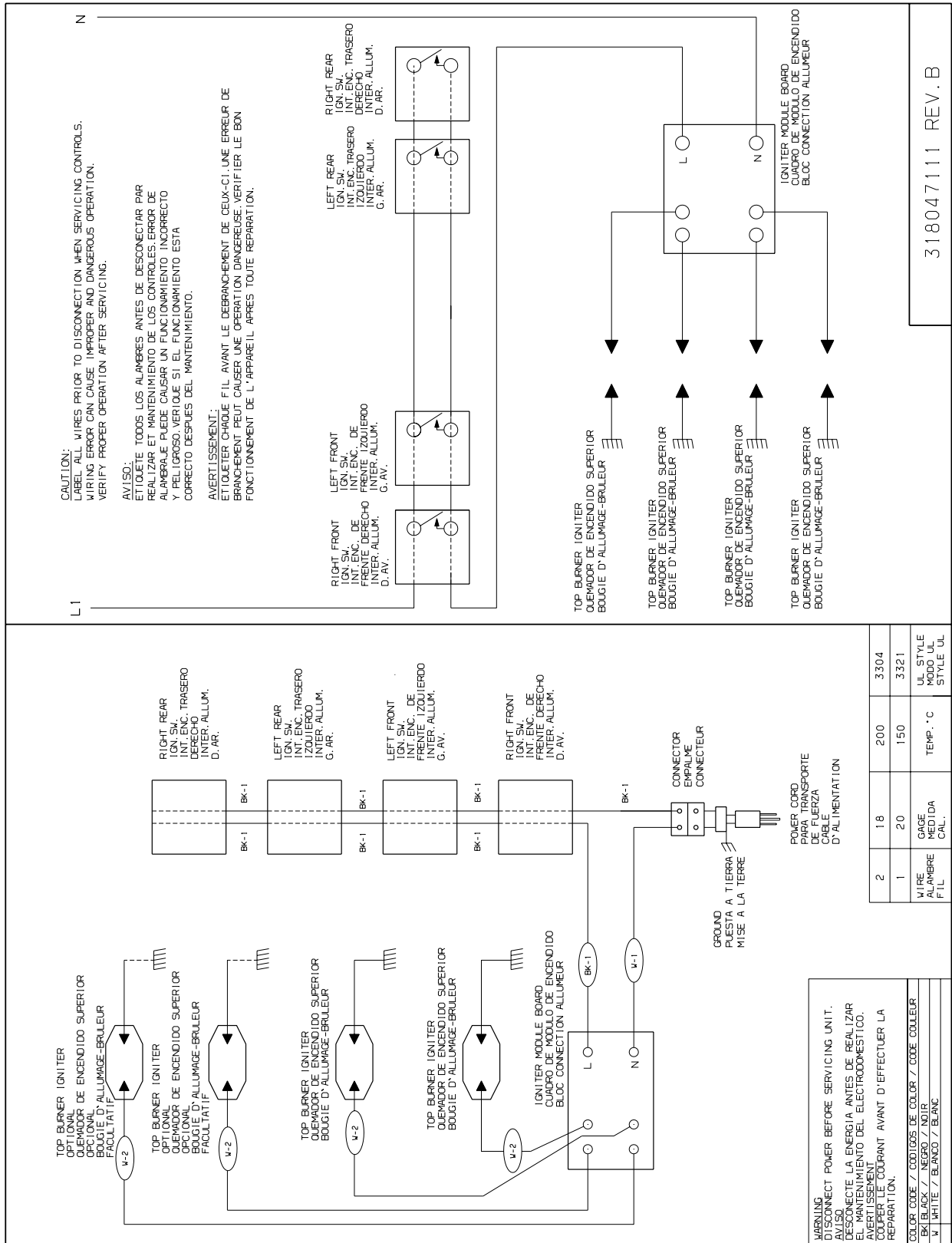
BRFGGC3065KBA

BURNER

Model Index: A FGGC3065K (FGGC3065KBA)
 B FGGC3065K (FGGC3065KSA)
 C FGGC3065K (FGGC3065KWA)

POS. NO	PART NO.		DESCRIPTION
1	318177012	A B C	Manifold Pipe
*	5303300195	A B C	Screw, 10-32 x 0.375, (2)
2 #	318233940	A B C	Valve, top burner, 16/17K
2A #	318233900	A B C	Valve, top burner, 5000 BTU
2B #	318233910	A B C	Valve, top burner, 9500 BTU
2C #	318233920	A B C	Valve, top burner, 12000 BTU
3 #	318232645	A B C	Wiring Harness, w/igntr switch
4	5304472956	A B C	Screw, hex wash, 6-32 x .485
8 #	316135702	A B C	Module, spark
*	318024201	A B C	Bracket, spark module
*	5303311306	A B C	Screw, 8-18 x 0.375, (6)
10 #	316438400	A B C	Burner, sealed, 16/17K
10A#	316438200	A B C	Burner, sealed, 5K
10B#	316558300	A B C	Burner, sealed, 9.5K
10C#	316438000	A B C	Burner, sealed, 12K
11 #	316543203	A B C	Ignitor/orifice assy., top burner, 17K, w/holder
11A#	316540800	A B C	Ignitor/orifice assy., top burner, 5K, w/holder
11B#	316540700	A B C	Ignitor/orifice assy., top burner, 9.5K, w/holder
11C#	316540702	A B C	Ignitor/orifice assy., top burner, 12K, w/holder
12 #	318560701	A B C	Tube, burner, LF & LR, (2)
12A#	318560702	A B C	Tube, burner, RF & RR, (2)
14 #	318122712	A B C	Regulator, pressure
35	318146301	A B C	Bushing
37	5303323130	A B C	Screw, 8 x 1/4, (6)
44 #	316527509	A B C	Orifice, top burner, 17K
44A#	316527504	A B C	Orifice, top burner, 5K
44B#	316527500	A B C	Orifice, top burner, 9.5K
44C#	316527502	A B C	Orifice, top burner, 12K
47 #	318565400	A B C	Conversion Kit, LP
72	316215600	A B C	Screw, valve mtg., 1/4 - 20
77	318564100	A B C	Bracket, transverse
*	5303211311	A B C	Screw, 8 x 0.500
* #	318199779	A B C	Wiring Harness, ignitor
*	5303323140	A B C	Screw, ground, 10-32 x 0.375

WIRING DIAGRAM



318047111 REV. B