

Frigidaire

Factory Parts Catalog

Product No.	FGEC3065KB1	FGEC3065KS1	FGEC3065KW1
Series	30" elec	30" elec	30" elec
Color	black	stainless	white
Market	North America	North America	North America
Wiring Diagram	387621700	387621700	387621700
Owner's Guide	318203628	318203628	318203628
Installation Instructions	318205403	318205403	318205403

 **Electrolux**

Electrolux Major Appliances
 North & Latin America
 P.O. BOX 212378
 AUGUSTA, GA 30917

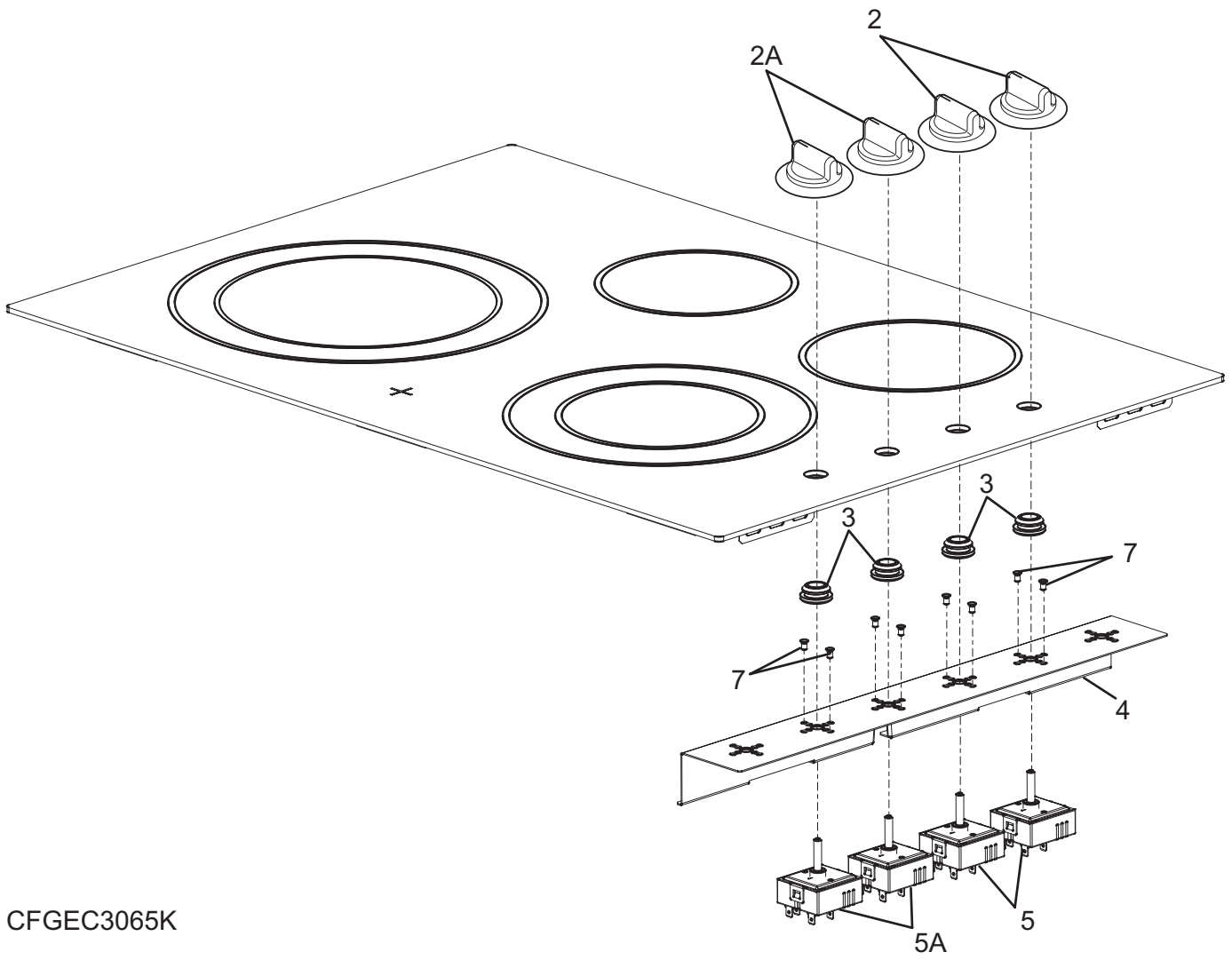
Publication No.
5995538427
 09/04/17
 (EN/SERVICE/ECL)
 377

**30" ELECTRIC
 COOK-TOP**

Model No.
FGEC3065K

Copyright © 2009 Electrolux Home Products, Inc.
 All rights reserved.

CONTROL PANEL



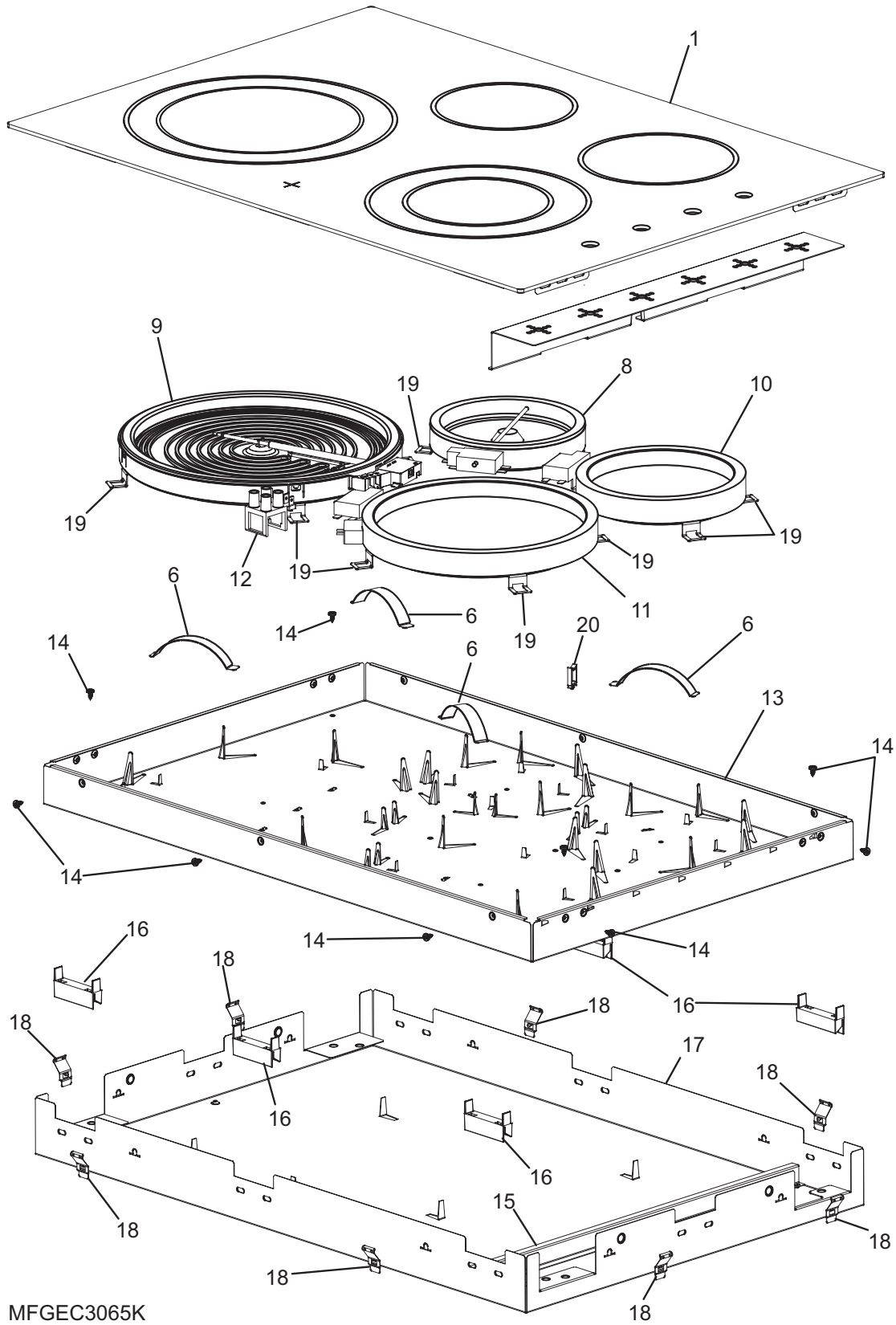
CFGEC3065K

CONTROL PANEL

Model Index: **A** FGEC3065K (FGEC3065KB1)
 B FGEC3065K (FGEC3065KS1)
 C FGEC3065K (FGEC3065KW1)

POS. NO	PART NO.		DESCRIPTION
2	316564617	A - -	Knob, control, black, single
2	316564616	- B -	Knob, control, stainless, single
2	316545116	- - C	Knob, control, white, single
2A	316564613	A - -	Knob, control, black, dual
2A	316564615	- B -	Knob, control, stainless, dual
2A	316545114	- - C	Knob, control, white, dual
3	387316100	A B C	Bushing, knob, sealing
4	387559700	A B C	Bracket, support, switch mtg.
5 #	305458905	A B C	Switch, surface element
5A #	305458904	A B C	Switch, surface element, dual
7	319224001	A B C	Screw, switch mtg., M4 x 7

MAIN TOP/SURFACE UNITS



MFGEC3065K

MAIN TOP/SURFACE UNITS

Model Index: A FGEC3065K (FGEC3065KB1)
 B FGEC3065K (FGEC3065KS1)
 C FGEC3065K (FGEC3065KW1)

POS. NO	PART NO.		DESCRIPTION
1	305379365	A - -	Maintop Assembly, glass/steel, black
1	305379363	- B -	Maintop Assembly, glass/steel, black/stainless
1	305379364	- - C	Maintop Assembly, glass/steel, white
6	387372900	A B C	Spring, surface element
8 #	374063522	A B C	Element, surface, 6", 1200W
9 #	389087301	A B C	Element, dual surface, 9/12", 1700/2700W
10 #	318178104	A B C	Element, surface, 7", 1500w
11 #	389087401	A B C	Element, dual surface, 6/9", 1600/3000W
12 #	387812000	A B C	Light Assembly, indicator, hot surface
13	387774200	A B C	Box, inner
14	330447900	A B C	Screw, B4, 2 x 9, 5
15	387683500	A B C	Support, burner box
*	305351200	A B C	Rivet, 3, 2 x 6
16	387627600	A B C	Spacer, burner box, plastic
17	387559400	A B C	Box, burner, outer
18	387174602	A B C	Bracket, spring, cooktop mtg.
*	387627700	A B C	Bracket, retainer, cooktop
*	305376102	A B C	Screw
*	305309606	A B C	Screw
19	387683300	A B C	Bracket, surface element
*	305376101	A B C	Screw, bracket, surface element
20	387727700	A B C	Retainer, wiring
* #	318078564	A B C	Box & wires assy
* #	387861500	A B C	Harness, wiring, main
*	305452800	A B C	Screw, ground

WIRING DIAGRAM

MODEL WITH BRIDGE ELEMENT / MODELO Y ELEMENTO RADIANTE SUPERIOR DE PUENTE / MODELE AVEC ELEMENT PONT

CODE / CODIGO / STYLE / ESTILO / STYLE CODE

CODE	GAUGE / MEDIDA	TEMP. CALIBRE	cUL	UL
1	16	200°C	UL3122 or UL3135	
2	20	200°C	UL3122 or UL3135	
3	10	150°C	3321	3321
4	12	150°C	3321	3321
5	14	150°C	3321	3321
6	16	150°C	3321	3321

*** NOTE: USE PAGE 2 FOR GAGE AND WIRE COLOR.

*** NOTA: UTILIZAR LA PAGINA 2 PARA EL CALIBRE Y EL COLOR DE LOS CABLES.

*** NOTE: UTILISER LA PAGE 2 POUR LE CALIBRE ET LA COULEUR DU FIL.

MODEL WITH DOUBLE ELEMENT / MODELO Y ELEMENTO DE DOBLE / MODELE AVEC ELEMENT DOUBLE

* LIMITER / LIMITADOR / LIMITEUR CERAMASPEED / EIKA

* LIMITER / LIMITADOR / LIMITEUR E. G. O. / A. K. O.

MODEL WITH REGULAR ELEMENT / MODELO Y ELEMENTO REGULAR / MODELE AVEC ELEMENT REGULIER

LEGEND 1 / LEYENDA 1 / LEGENDE 1

SW. - SWITCH
INTERRUPTOR
INTERRUPTEUR

P. L. - PILOT LIGHT
LAMPARA PILOTO
LAMPE TEMOIN

R. F. - RIGHT FRONT
FRENTE DERECHO
AVANT DROIT

R. R. - RIGHT REAR
TRASERO DERECHO
ARRIERE DROIT

L. F. - LEFT FRONT
FRENTE IZQUIERDO
AVANT GAUCHE

L. R. - LEFT REAR
TRASERO IZQUIERDO
ARRIERE GAUCHE

R. C. - REAR CENTER
TRASERO CENTRO
ARRIERE CENTRE

L. C. - LEFT CENTER
CENTRO DE IZQUIERDO
CENTRE GAUCHE

H. S. - HOT SURFACE
SUPERFICIE CALIENTE
SURFACE CHAUDE

LEGEND 2 / LEYENDA 2 / LEGENDE 2

MODEL WITH 4 UNITS / MODELO Y 4 ELEMENTOS / MODELE AVEC 4 ELEMENTS	MODEL WITH 5 UNITS / MODELO Y 5 ELEMENTOS / MODELE AVEC 5 ELEMENTS
BK ON / EN / SUR L. F. POSITION / POSICION / POSITION	BR ON / EN / SUR L. F. POSITION / POSICION / POSITION
W ON / EN / SUR L. R. POSITION / POSICION / POSITION	W ON / EN / SUR L. R. POSITION / POSICION / POSITION
BK ON / EN / SUR R. R. POSITION / POSICION / POSITION	BK ON / EN / SUR R. R. POSITION / POSICION / POSITION
BR ON / EN / SUR R. F. POSITION / POSICION / POSITION	BR ON / EN / SUR R. F. POSITION / POSICION / POSITION

COLOR CODE / CODIGOS / CODE COULEUR

BL - BLUE / AZUL / BLEU

BK - BLACK / NEGRO / NOIR

W - WHITE / BLANCO / BLANC

O - ORANGE / NARANJA / ORANGE

BR - BROWN / MORENO / BRUN

G - GREEN / VERDE / VERT

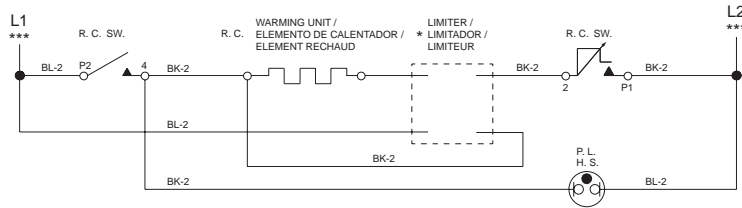
R - RED / ROJO / ROUGE

CAUTION: DISCONNECT POWER BEFORE SERVICING UNIT.
ATENCIÓN: DESCONECTE LA ENERGIA ANTES DE REALIZAR EL MANTENIMIENTO DEL ELECTRODOMESTICO.
ATTENTION: COUPER LE COURANT AVANT D'EFFECTUER LA REPARATION.

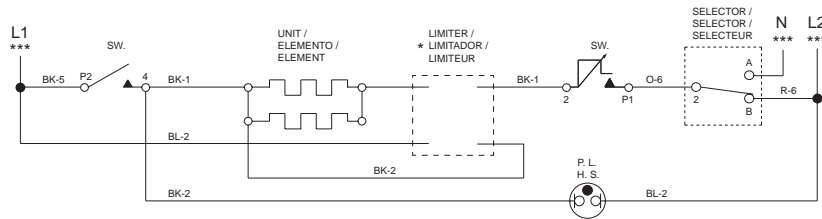
387 6217 00 REV. B
Page 1

WIRING DIAGRAM

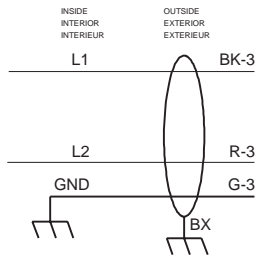
MODEL WITH WARMING ELEMENT / MODELO Y ELEMENTO DE CALENTADOR /
MODELE AVEC ELEMENT RECHAUD



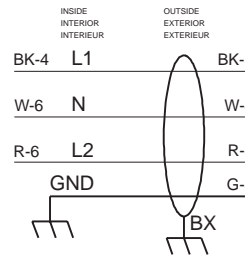
MODEL WITH REGULAR ELEMENT AND SELECTOR / MODELO Y ELEMENTO Y SELECTOR /
MODELE AVEC ELEMENT REGULIER ET SELECTEUR



MODEL WITH OTHERS / OTROS MODELOS / AUTRE MODELES



MODEL WITH SIMMER SELECT / LOS MODELOS CON SELECTOR DE
HIRVE A FUEGO LENTO / MODELE AVEC SELECTEUR MIJOTANT



REMARK: FOR CONNECTING THE PLATFORM SEE INSTALLATION SHEET OR USE AND CARE GUIDE.

NOTA: PARA CONECTAR LA PARRILLA DE COCINAR, VER LA HOJA DE INSTALACION O EL MANUAL DEL USUARIO.

REMARQUE: POUR BRANCHER LA TABLE DE CUISSON VOIR LE FEUILLET D'INSTALLATION OU LE MANUEL D'UTILISATION ET D'ENTRETIEN.

CAUTION: DISCONNECT POWER BEFORE SERVICING UNIT.

ATENCIÓN: DESCONECTE LA ENERGIA ANTES DE REALIZAR EL MANTENIMIENTO DEL ELECTRODOMESTICO.

ATTENTION: COUPER LE COURANT AVANT D'EFFECTUER LA REPARATION.

387 6217 00 REV. B

Page 2