



**MWVI50K W/B**

- 1.5 Cu. Ft. Oven Capacity
- 900 Watts
- 10 Power Levels
- Color-Coordinated Door with Window and Control Panel
- Touch Control with 24 Pads
- Digital Cooking Display
- 3 Auto-Reheat Categories
- 1 Auto-Defrost Categories
- Child Lock
- 2 Fan Speeds
- 12" Glass Turntable
- Electronic Clock/Timer
- 300 CFM Fan
- Cooking Surface Light
- Sensor Cooking
- One-Touch Options
- 2 User Preference Options
- Available in White and Black

### ONE-YEAR LIMITED WARRANTY

Your appliance is covered by a one year limited warranty. For one year from your original date of purchase, Electrolux will pay all costs for repairing or replacing any parts of this appliance that prove to be defective in materials or workmanship when such appliance is installed, used, and maintained in accordance with the provided instructions.

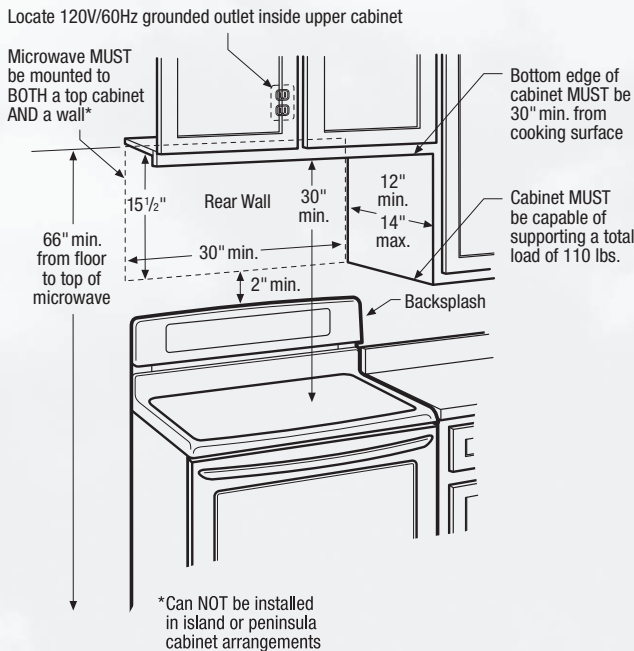
### DISCLAIMER OF IMPLIED WARRANTIES; LIMITATION OF REMEDIES

Customer's sole and exclusive remedy under this limited warranty shall be product repair as provided herein. Claims based on implied warranties, including warranties of merchantability or fitness for a particular purpose, are limited to one year or the shortest period allowed by law, but not less than one year. Electrolux shall not be liable for consequential or incidental damages such as property damage and incidental expenses resulting from any breach of this written limited warranty or any implied warranty. Some states and provinces do not allow the exclusion or limitation of incidental or consequential damages, or limitations on the duration of implied warranties, so these limitations or exclusions may not apply to you. This written warranty gives you specific legal rights. You may also have other rights that vary from state to state.



### INSTALLATION

The following dimension and cutout information is for planning purposes only. For complete installation details consult manual packed with product, or download manual at Customer Service, online at [frigidaire.com](http://frigidaire.com).



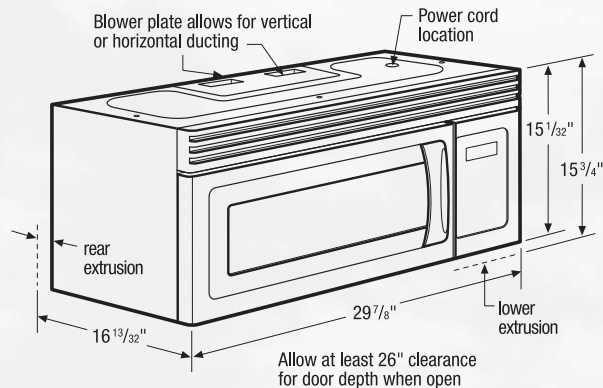
### IF YOU NEED SERVICE

Keep your receipt, delivery slip, or some other appropriate payment record to establish the warranty period should service be required. If service is performed, it is in your best interest to obtain and keep all receipts. Service under this warranty must be obtained by contacting Electrolux at the addresses or phone numbers below. This warranty only applies in the USA and Canada. In the USA, your appliance is warranted by Electrolux Major Appliances North America, a division of Electrolux Home Products, Inc. In Canada, your appliance is warranted by Electrolux Canada Corp. Electrolux authorizes no person to change or add to any obligations under this warranty. Obligations for service and parts under this warranty must be performed by Electrolux or an authorized service company. Product features or specifications as described or illustrated are subject to change without notice.

### OVER-THE-RANGE MICROWAVE OVENS

Models	FMV150K
Series	Frigidaire
<b>Features</b>	
Oven Cavity (Cu. Ft.)	1.5
Watts (IEC-705 Test Procedure)	900
Power Levels	10
Electronic Clock & Timer	•
Digital Cooking Display	5 Digit
Touch Pad Controls (# Pads)	24
Auto Reheat (# Categories)	3
Auto/Time Defrost (# Categories)	1
Time Cooking	2 Stage
Child Lock	•
Glass Turntable (Diameter)	12"
Cooktop Light	•
<b>Ventilation System</b>	
Hood Fan	•
Ducted/Ductless	•
Vent Installation	•
Exhaust Fan (CFM)	2 Speed 300/170/0
<b>Power Ratings</b>	
2450 Frequency (Mhz)	•
Watts @ 120 Volt Input	1450
AMPS @ 120 Volt Input	13
<b>Specifications</b>	
Product Net Weight (Approx.)	62 Lbs.
Exterior Width	29-7/8"
Exterior Height (Front)	15-3/4"
Exterior Depth	16-13/32"
Interior Oven Width	20-1/4"
Interior Oven Height	9-1/4"
Interior Oven Depth	14-13/32"
Carton Width	33-9/32"
Carton Height	20-1/16"
Carton Depth	19-9/32"
Shipping Weight (Approx.)	67 Lbs.

\*Consult Local and National Electric Codes



*Frigidaire*

USA  
Electrolux Major Appliances, North America  
250 Bobby Jones Expressway, Martinez, GA 30907  
1-800-FRIGIDAIRE • [frigidaire.com](http://frigidaire.com)

CANADA  
Electrolux Canada Corporation  
5855 Terry Fox Way, Mississauga, ON L5V 3E4  
1-800-265-8352 • [frigidaire.ca](http://frigidaire.ca)

**Electrolux Major Appliances, N.A.**