



# Freestanding Range

FPEF3081K F

30" Electric



## Signature Features



**Fits-More™ Oven**  
More cooking space, plus even cooking.



**PowerPlus™ Preheat**  
Preheat in less than six minutes.<sup>1</sup>



**PowerPlus™ Boil**  
Boil water faster with our 3,100-watt element.



**PowerPlus™ Convection**  
You can roast to tender, juicy perfection in less time with our dual-fan convection technology.

## Powerful Performance

- Auto Shut-Off
- PowerPlus™ and Rapid Clean Options
- Effortless™ Convection Conversion
- PowerPlus™ Broil (3,900W)

## Performance-Driven Style

- Pro-Select™ Controls
- Real Stainless Steel
- Effortless™ Oven Rack
- Even Baking Technology
- Smoothtop Ceramic Glass Cooking Surface
- Halogen Lighting

## SpaceWise™ Design

- Keep Warm Zone (100W)
- SpaceWise™ Half Rack
- SpaceWise™ Bridge Element - 7" / 7" (1,800W / 800W Bridge / 1,800W)
- Fits-More™ Cooktop

## One-Touch Options

- Keep Warm
- My Favorite
- Chicken Nuggets
- Pizza
- Add-a-Minute
- One-Touch Self Clean

## More Easy-To-Use Features

- Keep Warm Drawer with SpaceWise™ Half Rack
- Delay Start
- Hidden Bake Element
- Wide-View Window with Pro-Tint Finish

Sabbath Mode (Star-K® Certified)

## Capacities

6.0 Cu. Ft. Oven Capacity

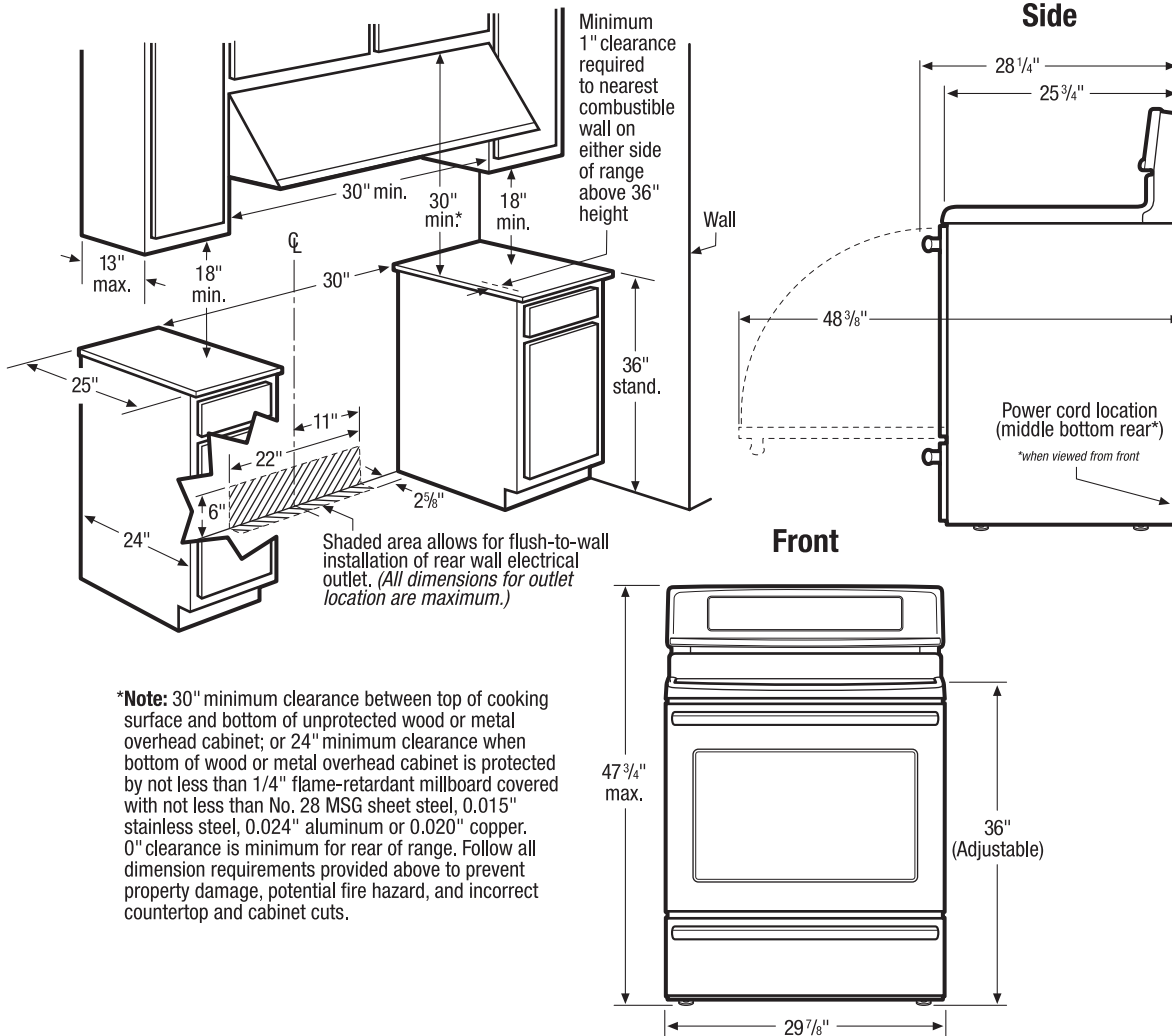
## Overall Exterior Dimensions

Height 47"  
Width 29-7/8"  
Depth 28-1/4"

## Available in:



<sup>1</sup>Based on single rack cooking performance, not set temperature, using PowerPlus™ Preheat.



**Freestanding Range Specifications**

- Product Shipping Weight (approx.) - 210 Lbs.
- Single phase 3- or 4-wire cable, 120/240 or 120/208 Volt, 60 Hertz, fused on both sides of line with ground.
- Connected Load (kW Rating) @ 240/208 Volts = 14.5/11.5kW
- Recommended Circuit Breaker - 40 Amps
- Always consult local and national electric codes.
- Floor beneath range MUST be solid and level.
- Overhead cabinetry should not exceed a 13" maximum depth.
- Absolute minimum horizontal distance between overhead cabinets installed to either side of appliance must be no less than maximum width of appliance.
- Range can be installed flush to wall with 0" minimum rear clearance.
- Minimum 1" clearance required from edge of rangetop to nearest combustible wall on either side of range above 36" height.

- Allow 30" minimum clearance between top of cooking surface and bottom of unprotected wood or metal overhead cabinet; or 24" minimum clearance when bottom of wood or metal overhead cabinet is protected by not less than 1/4" flame retardant millboard covered with not less than No. 28 MSG sheet steel, 0.015" stainless steel, 0.024" aluminum or 0.020" copper.
- To reduce risk of fire when using overhead cabinetry, install range hood that projects horizontally a recommended minimum of 5" beyond bottom of cabinets.
- Follow all dimension requirements provided to prevent property damage, potential fire hazard, and incorrect countertop and cabinet cuts.

**Note:** For planning purposes only. Refer to Product Installation Guide on the web at [frigidaire.com](http://frigidaire.com) for detailed instructions.

