

FRIGIDAIRE

GALLERY



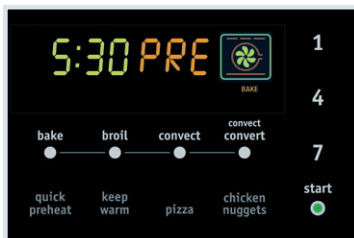
Freestanding Range

FGGF3056K F

30" Gas



Signature Features



Quick Preheat

Preheat in less than six minutes!¹



True Convection

Multi-rack baking is faster and more even with True Convection.



Quick Boil

Boil water faster with our 17,000-BTU burner.



Express-Select™ Controls

Easily go from warm to boil.

Effortless Performance

- Auto Shut-Off
- Even Broil
- Quick Clean Option
- Effortless™ Convection Conversion

Performance-Driven Style

- Effortless™ Oven Rack
- Real Stainless Steel
- Low-Simmer Burner (5,000 - 500 BTU)
- Continuous Cast Iron Grates with Black Matte Finish
- Even Baking Technology
- Center Oval Burner (9,500 BTU)

SpaceWise™ Design

- SpaceWise™ Half Rack
- Fits-More™ Cooktop
- Cast Iron Griddle

One-Touch Options

- Chicken Nuggets
- Pizza
- Keep Warm
- Add-a-Minute
- One-Touch Self Clean

More Easy-To-Use Features

- Keep Warm Drawer with SpaceWise™ Half Rack
- Delay Start
- Extra-Large Window

Sabbath Mode (Star-K® Certified)

Capacities

5.0 Cu. Ft. Oven Capacity

Overall Exterior Dimensions

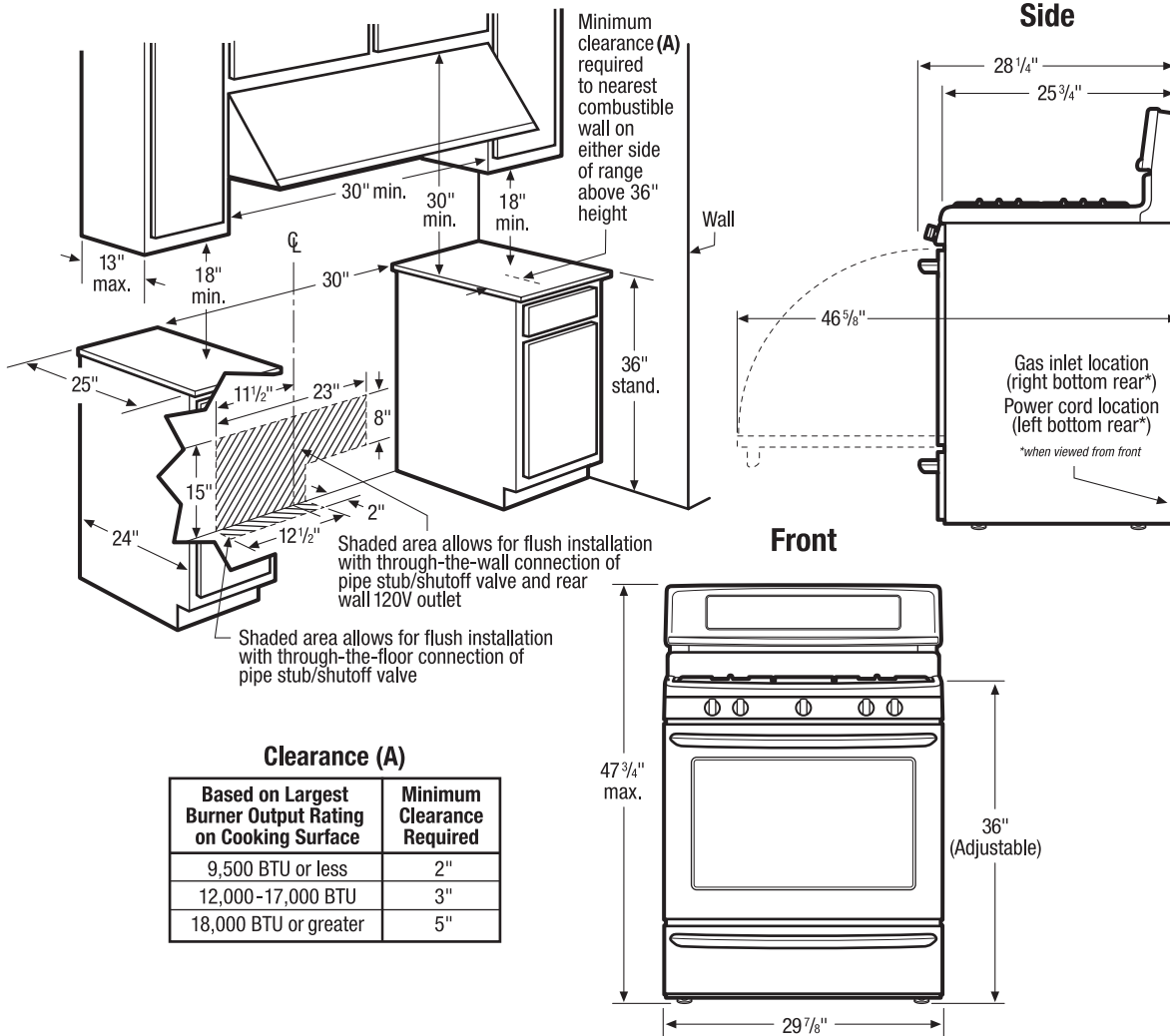
Height	47"
Width	29-7/8"
Depth	28-1/4"

Available in:



Stainless
(F)

¹Based on single rack cooking performance, not set temperature, using Quick Preheat.



Freestanding Range Specifications

- Product Shipping Weight (approx.) - 220 Lbs.
- Voltage Rating - 120V / 60 Hz / 15 Amps
- Connected Load (kW Rating) @ 120 Volts = 1.8kW (For use on adequately wired 120V, dedicated circuit having 2-wire service with a separate ground wire. Appliance must be grounded for safe operation.)
- Amps @ 120 Volts = 15 Amps
- Always consult local and national electric and gas codes.
- Range ships with 3/4" factory regulator.
- Range is LP Gas convertible. (Optional LP Gas conversion kit available.)
- Floor beneath range MUST be solid and level.
- Overhead cabinetry should not exceed a 13" maximum depth.
- Absolute minimum horizontal distance between overhead cabinets installed to either side of appliance must be no less than maximum width of appliance.

- Range can be installed flush to wall with 0" minimum rear clearance.
- Minimum clearance required (from edge of rangetop to nearest combustible wall on either side of range above 36" height) is based on largest burner output rating on cooking surface.
- To reduce risk of fire when using overhead cabinetry, install range hood that projects horizontally a recommended minimum of 5" beyond bottom of cabinets.
- Follow all dimension requirements provided to prevent property damage, potential fire hazard, and incorrect countertop and cabinet cuts.

Note: For planning purposes only. Refer to Product Installation Guide on the web at frigidaire.com for detailed instructions.

Optional Accessories

- LP Gas Conversion Kit - (PN # GRLP3)

