

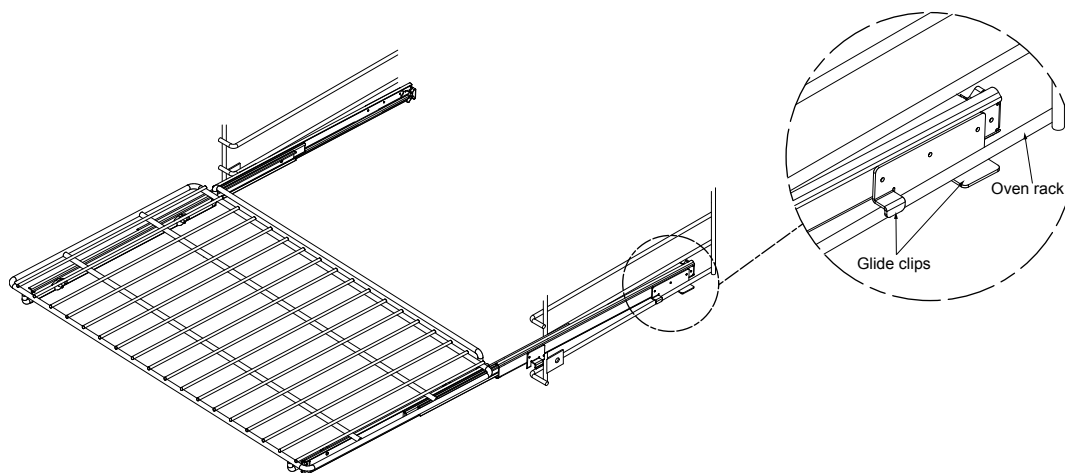
# Use Instructions

## Oven GlideRack™

Dacor's Oven GlideRack™ is designed to install effortlessly and glide at a full extension. Especially when using Dacor's pizza stone (model number ABS20), the full extension of the rack allows you to slide the pizza on and off the stone with great ease. It is also great for large roasts in large roasting pans. This easy- slide rack will allow you to baste more easily and check temperatures of the food more safely and quickly.

### Proper Installation of the Easy slide Oven Rack:

1. Fully extend the two side guides. Align two small clips on the bottom at the rear of the Oven GlideRack™ with the black porcelain rack guides in the oven.
2. Begin to slide the rack in, then lift up. The Oven GlideRack™ must be in between the two clips on the upper and lower side of the rack rear.
3. Push the rack all the way to the back.
4. Grasp the rack in the front center and pull. The rack should come forward while the side guides remain in place.



### Helpful Hints When Using Your Oven GlideRack™:

1. This rack works particularly well with heavier items, although you can use it during any baking, broiling or roasting in your Dacor oven.
2. These racks will need to be spaced out when using more than one in the oven at a time. For instance, the racks should be used on rack positions 1,3, & 5 or 2 & 4, counting up from the bottom, instead of using racks 2,3, & 4.
3. When using the rack with Dacor's ABS20 baking stone, use rack position 1 for best results.
4. Heavier roasting pans and dishes will also cook better on Rack position 1.
5. Do not leave the rack in during self- clean. The rack will become difficult to slide in and out if it is self- cleaned. Remove all the racks and the filter in the back of the oven before self- cleaning.
6. To clean the rack, use hot, soapy water and the rough side of a sponge.