

### SAVE AND READ THESE INSTRUCTIONS

TESTED IN ACCORDANCE WITH THE LATEST EDITION OF ANSI Z21.1 STANDARD FOR HOUSEHOLD COOKING APPLIANCES.

### CONVENTIONS USED IN THESE INSTRUCTIONS

**WARNINGS:**

Must be followed carefully to avoid personal injury.

**IMPORTANT:**

Must be followed carefully to avoid damage.

**NOTES:**

Contain helpful hints and tips to facilitate the installation.

**IMPORTANT**

1. Before beginning installation, please thoroughly read and become familiar with these instructions.
2. Installation and service must be completed by a qualified installer or service agency.
3. Installer: Please leave these Installation Instructions with the owner.
4. Owner: Please keep these instructions for local electrical inspector's use and for future reference.
5. Read the accompanying Use & Care Manual prior to operating this appliance.

**TABLE OF STEPS**

<b>STEP 1</b>	Planning the installation	Page 2
<b>STEP 2</b>	Electrical connections	Page 3
<b>STEP 3</b>	Installing the IHL	Page 3
<b>STEP 4</b>	Verifying proper operation	Page 3





## **WARNINGS:**

**TO REDUCE THE RISK OF FIRE, ELECTRIC SHOCK, OR INJURY TO PERSONS, OBSERVE THE FOLLOWING:**

- a) Use this unit only in the manner intended by the manufacturer. If you have questions, contact the manufacturer.
- b) Before servicing or cleaning unit, switch power off at service panel and lock the service disconnecting means to prevent power from being switched on accidentally. When the service disconnecting means cannot be locked, securely fasten a prominent warning device, such as a tag, to the service panel. Exception: The additional safety instructions do not apply to a ceiling-suspended fan.



## **CAUTION**

For general ventilating use only. Do not use to exhaust hazardous or explosive materials and vapors.



## **WARNINGS:**

**TO REDUCE THE RISK OF A RANGE TOP GREASE FIRE:**

- a) Never leave surface units unattended at high settings. Boilovers cause smoking and greasy spillovers that may ignite. Heat oils slowly on low or medium settings.
- b) Always turn hood ON when cooking at high heat or when cooking flaming foods.
- c) Clean ventilating fans frequently. Grease should not be allowed to accumulate on fan or filter.
- d) Use proper pan size. Always use cookware appropriate for the size of the surface element.



## **WARNINGS:**

**TO REDUCE THE RISK OF INJURY TO PERSONS IN THE EVENT OF A RANGE TOP GREASE FIRE, OBSERVE THE FOLLOWING:<sup>a</sup>**

- a) **SMOTHER FLAMES** with a close-fitting lid, cookie sheet, or metal tray, then turn off the burner. **BE CAREFUL TO PREVENT BURNS.** If the flames do not go out immediately, **EVACUATE AND CALL THE FIRE DEPARTMENT.**
- b) **NEVER PICK UP A FLAMING PAN** - You may be burned.
- c) **DO NOT USE WATER**, including wet dishcloths or towels - a violent steam explosion will result.
- d) Use an extinguisher **ONLY** if:
  - 1) You know you have a Class ABC extinguisher, and you already know how to operate it.
  - 2) The fire is small and contained in the area where it started.
  - 3) The fire department is being called.
  - 4) You can fight the fire with your back to an exit.

<sup>a</sup>Based on "Kitchen Fire Safety Tips" published by NFPA.

## STEP 1 Installation Planning

The Dacor Integrated Hood Liner (IHL) is constructed with non-combustible stainless steel material. The IHL dimensions and installation design technique makes this an excellent component for any custom hood structure. In addition Dacor offers two Power Pack products (IVS1 and IVS2) which conveniently install on the pre-mounted installation lugs around the Power Pack opening at the top of the hood liner.

Plan the installation so that all minimum clearances are met or exceeded. Dimensions shown provide minimum clearances, unless otherwise noted.



### NOTES:

1. Dacor Integrated Hood Liners have no electrical parts.
2. If utilizing Dacor Power Packs follow all electrical requirements listed within the Power Pack installation instructions.
3. The Integrated Hood Liner has been designed for vertical on center ducting applications only.
4. For proper installation of the complete IHL/IVS custom hood ventilation system the installer must follow the IVS Power Pack planning and installation information noted in the IVS installation instructions.



### NOTE:

The IHL30 and IHL36 liners are designed for installation with the 600CFM IVS1 Power Pack. For additional specifications refer to the IVS planning guide or installation instruction.

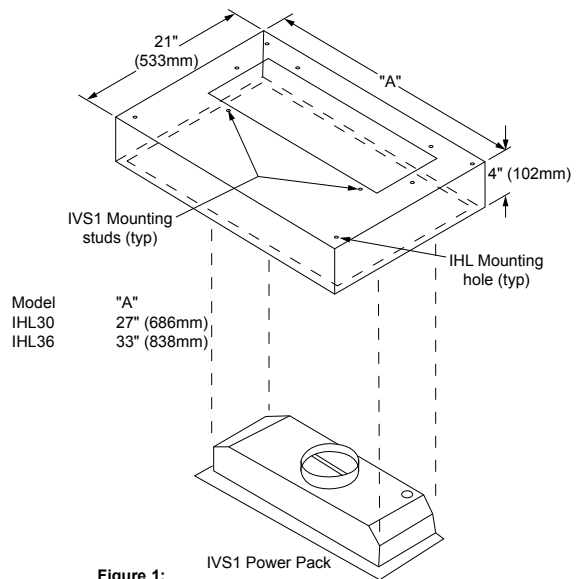


Figure 1:  
IHL30/36 Overall Dimensions  
Top View

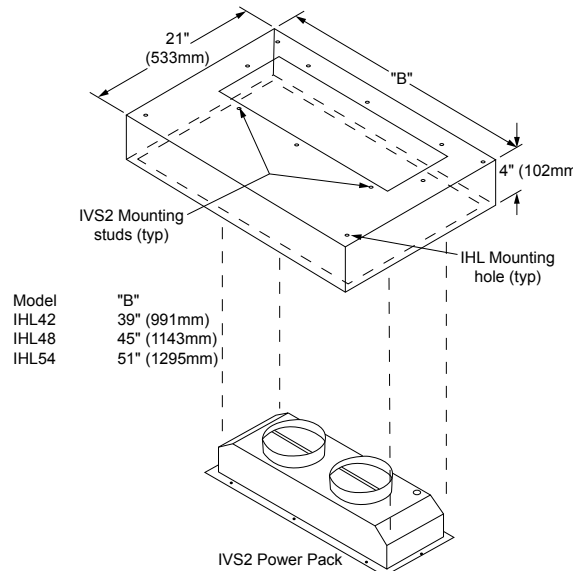


Figure 2:  
IHL42/48/54 Overall Dimensions  
Top View



### NOTE:

The IHL42, IHL48 and IHL54 liners are designed for installation with the 1200CFM IVS2 Power Pack. For additional specifications refer to the IVS planning guide or installation instruction.

## **Step 2**

### **Electrical Connection**

Refer to the IVS Power Pack Installation Instructions

## **Step 3**

### **Installing the IVS**

Mount the IHL using 4 screws (supplied by others) which are installed through the top of the liner. For hole locations refer to figures 1 and 2.

## **Step 4**

### **Verifying Proper Operation**

Refer to the IVS Power Pack Installation Instructions



#### **NOTE:**

**If the blower does not operate properly, follow these troubleshooting steps:**

- 1. Verify that power is being supplied to the power pack.**
- 2. Check the electrical connections to ensure that the installation has been completed correctly.**
- 3. Repeat the above test.**
- 4. If the appliance still does not work, contact an authorized DACOR service company at (800) 772-7778, or at [www.dacor.com](http://www.dacor.com). Do not attempt to repair the appliance yourself.**
- 5. DACOR is not responsible for service required to correct a faulty installation.**

**NOTES**



**Specifications contained within are subject to change without notice.  
No liability is assumed by DACOR for changes in specifications.**

Web Site: [www.dacor.com](http://www.dacor.com)  
For a Dealer/Service: (800) 772-7778  
Corporate Phone: (800) 793-0093

