

EWD, MWDV, MWDH, PWD Warming Drawers

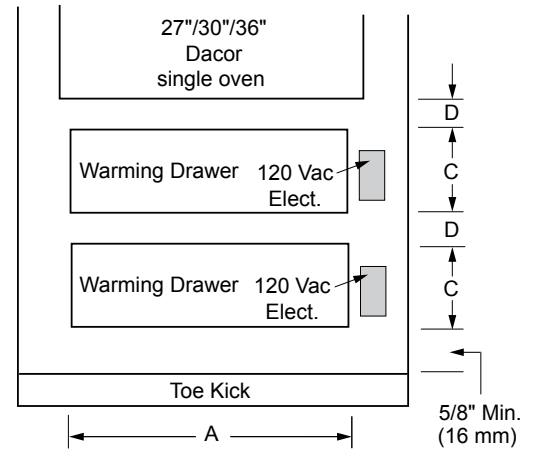
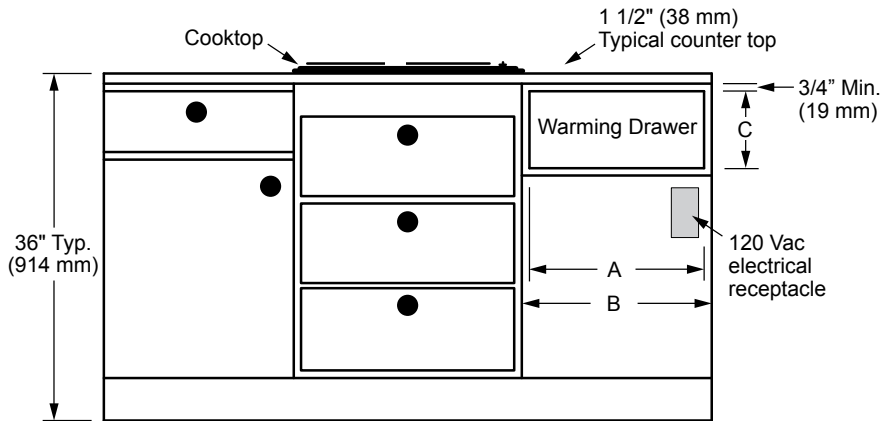
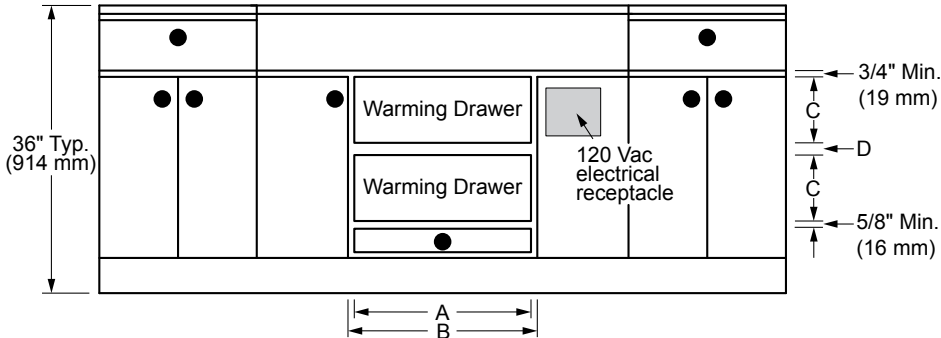


102907

24", 27", 30", 36" Wide,
Warming Drawers

1/2

**PLANNING
GUIDE**



Model	"A" Cutout Width	"B" Min. Width to Adjacent Doors/Drawers	"C" Cutout Height	"D" Min. Vertical Gap Between Cutouts
IWD24	22 1/2" (572mm)	24 1/4" (616mm)	9 1/8" (232mm)	1 1/16" (27mm)
EWD24				
EWD27	25 1/2" (648mm)	27 1/4" (692mm)		
MWDH27				
MWDV27				
PWD27	28 1/2" (724mm)	30 1/4" (768mm)		
EWD30				
MWDH30				
MWDV30				
PWD30	34 1/2" (876mm)	36 1/4" (921mm)		
EWD36				

CUTOUTS DIMENSIONS
CUTOUT DEPTH: 24" MIN. (610mm)

EWD, MWDV, MWDH, PWD Warming Drawers

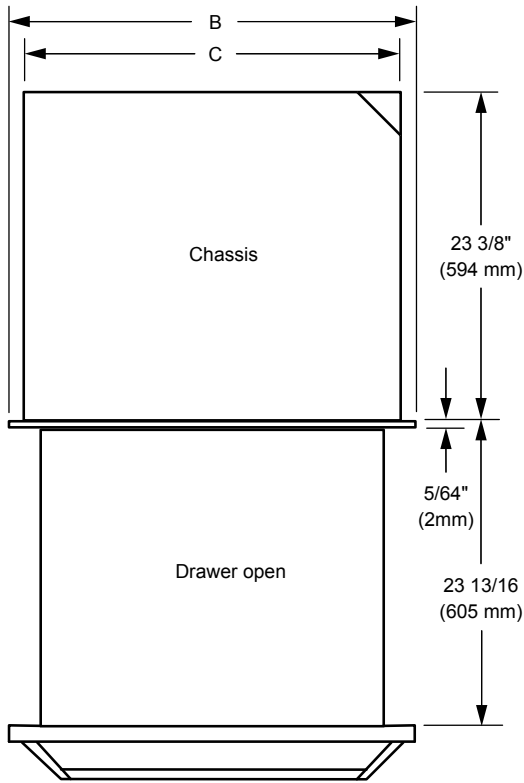


102907

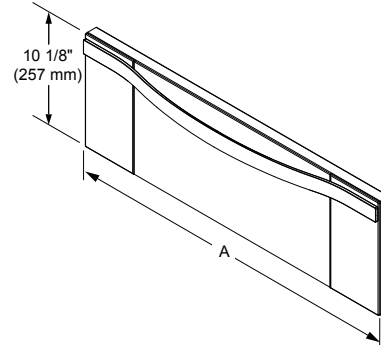
24", 27", 30", 36" Wide,
Warming Drawers

2/2

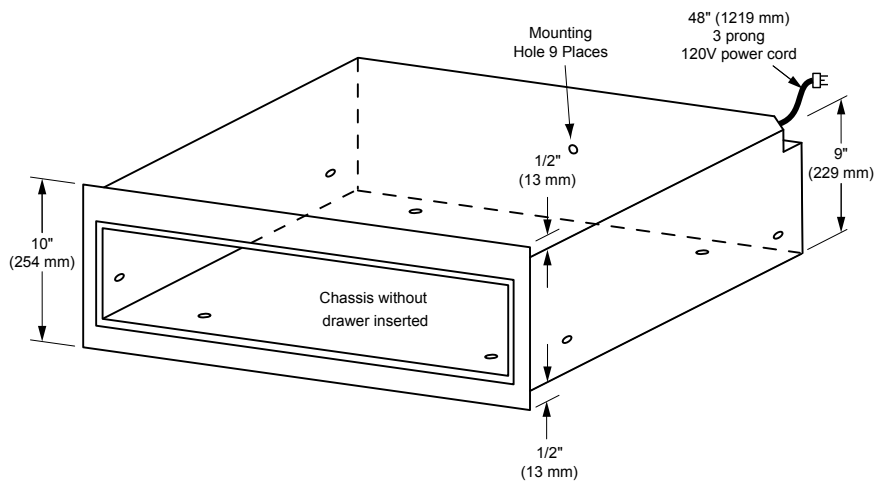
**PLANNING
GUIDE**



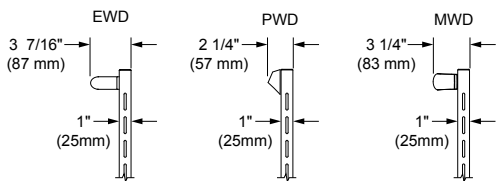
**OVERALL DIMENSIONS
TOP VIEW
(EWD SERIES SHOWN)**



**DRAWER FACE DIMENSIONS
(MW SERIES SHOWN)**



CHASSIS DIMENSIONS



HANDLE DIMENSIONS

Model	"A" Drawer Face Width	"B" Chassis Face Width	"C" Chassis Width
EWD24	24" (610 mm)	23 5/8" (600 mm)	22 7/16" (570 mm)
EWD27	27" (686 mm)	26 5/8" (676mm)	25 7/16" (646 mm)
MWDH27			
MWDV27			
PWD27	30" (762 mm)	29 5/8" (752 mm)	28 7/16" (722 mm)
EWD30			
MWDH30			
MWDV30			
PWD30	36" (914 mm)	35 5/8" (905mm)	34 7/16" (875 mm)
EWD36			

WARMING DRAWER OVERALL DIMENSIONS

IWD Warming Drawer

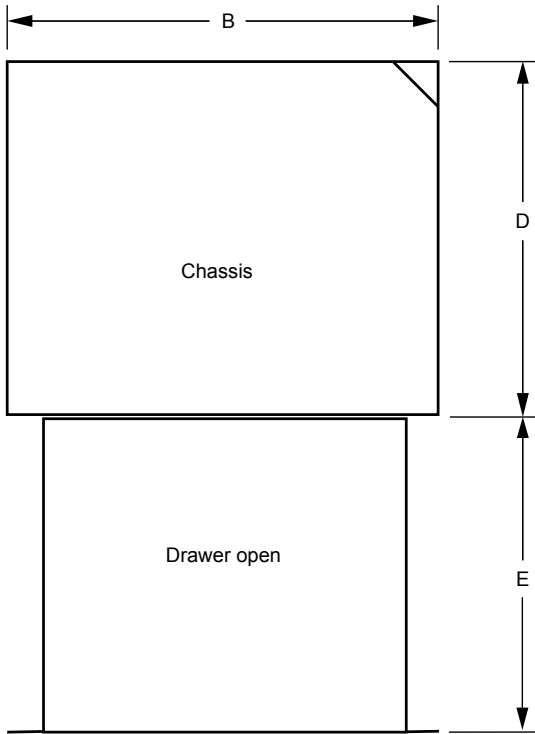
dacor
The Life of the Kitchen.®

102907

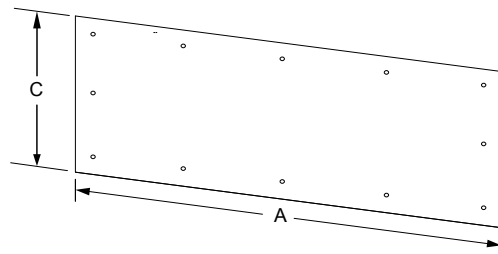
**24", 27", 30" Wide,
Warming Drawer**

1/1

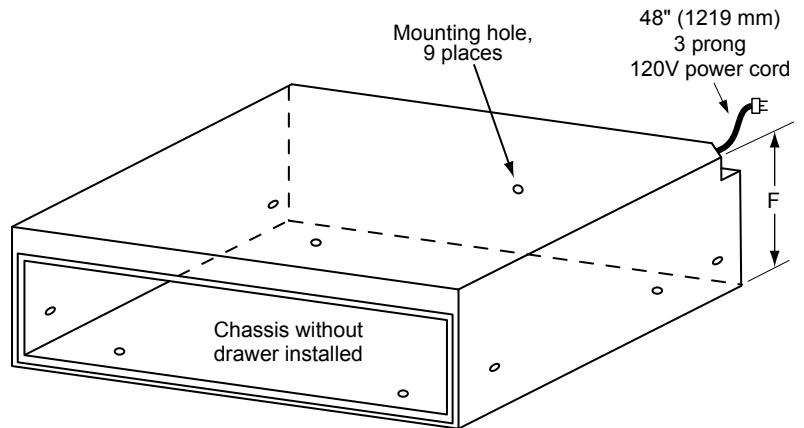
**PLANNING
GUIDE**



**OVERALL DIMENSIONS - IWD SERIES
TOP VIEW**



**DRAWER FACE DIMENSIONS
(IWD SERIES SHOWN)**



**CHASSIS DIMENSIONS
(IWD SHOWN)**

Warming Drawer Model No.	Dimension "A" Drawer Face Width	Dimension "B" Chassis Face Width	Dimension "C" Drawer Face Height	Dimension "D" Chassis Depth	Dimension "E" Drawer depth	Dimension "F" Chassis Height
IWD24	22 5/16" (567 mm)	21 7/8" (556 mm)	8 15/16" (227 mm)	23 3/8" (594 mm)	23 13/16" (605 mm)	9" (229 mm)
IWD27	25 5/16" (643 mm)	24 7/8" (632 mm)				
IWD30	28 5/16" (719 mm)	27 7/8" (708 mm)				