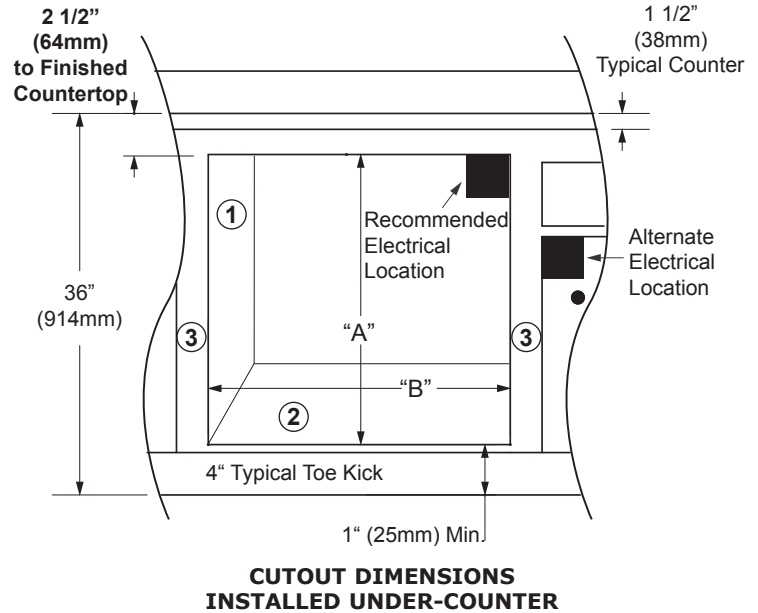
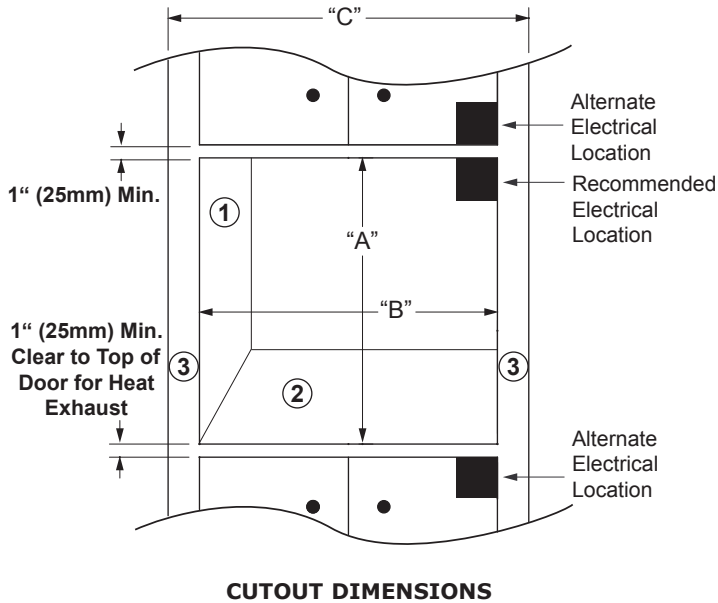


EO, PO, MOV & MOH



Models	"A" Cutout Height	"B" Cutout Width	"C" Min. Cabinet Width	Oven Overlays
27"	27 3/8" (695mm)	25 1/2" (648mm)	27" (686mm)	3/4" (19mm) Each Side; 15/16" (24mm) Top; 1/16" (1mm) Bottom
30"		28 1/2" (724mm)	30" (762mm)	

NOTES:

1. **24" (610mm) minimum interior cabinet depth. Back of cabinet may need to be removed.**
2. **3/4" (19mm) support platform (flush with cutout).**
3. **1/8" (3mm) minimum clearance from appliance to adjacent cabinet doors/drawers.**
4. **Not approved in a stack configuration.**

EO, PO, MOV & MOH

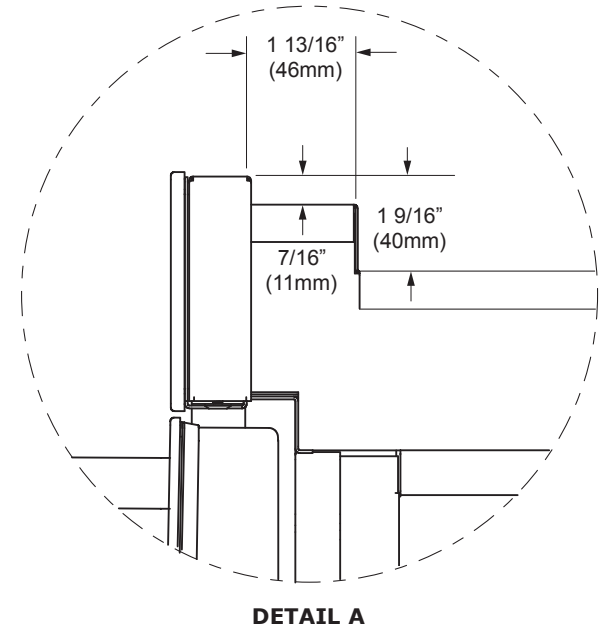
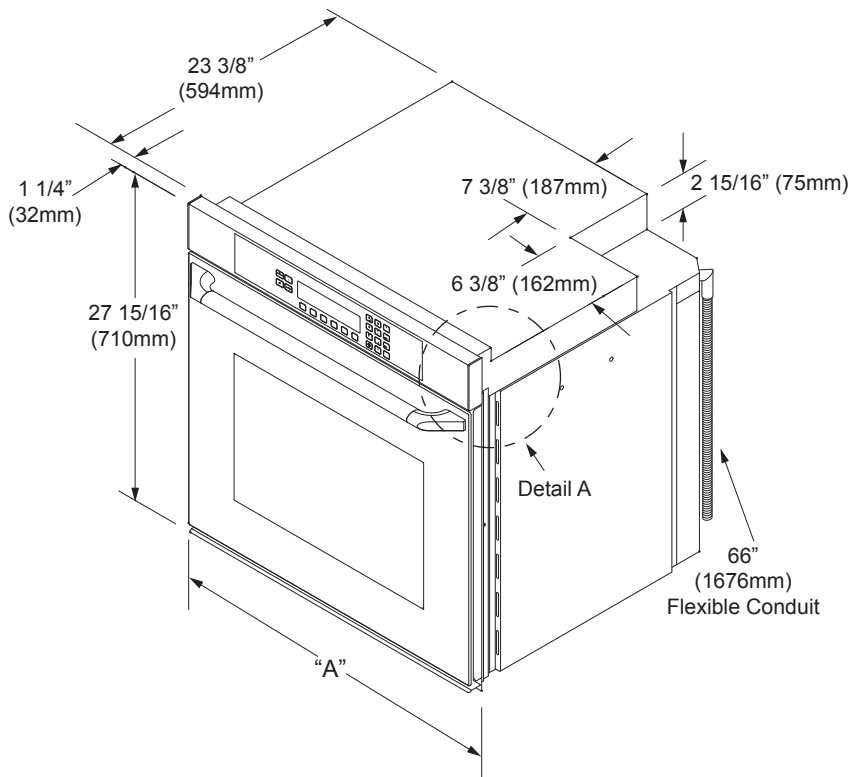
dacor
The life of the kitchen™

101905

27, 30" Wide, Single, Wall Ovens

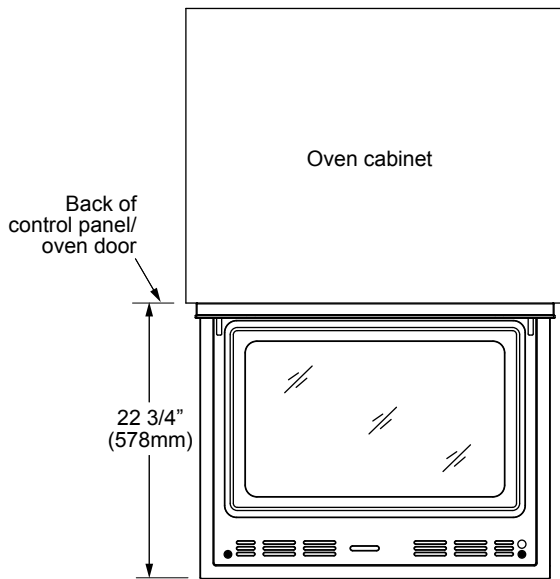
2/2

PLANNING GUIDE

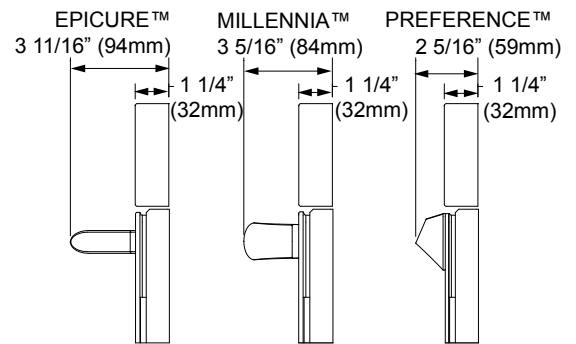


OVERALL DIMENSIONS

Models	"A" Oven Width
27"	27" (686mm)
30"	30" (672mm)



TOP VIEW with DOOR OPEN



OVEN HANDLE DIMENSIONS

Dedicated Circuit Required	Total Connected Load	Approximate Shipping Weight
240VAC, 4-wire, 60Hz, 30A (Breaker)	4.7kW (20A)	240 lbs.