

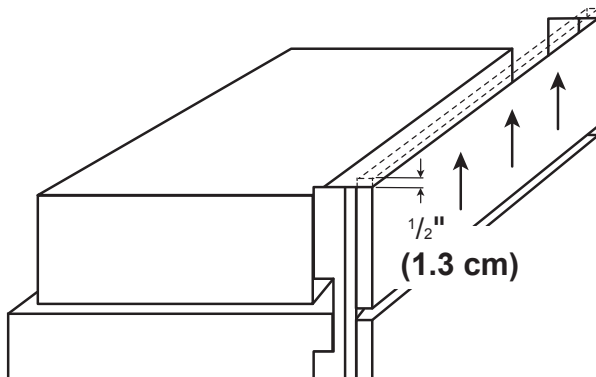
EF36, IF36

Opening Dimensions

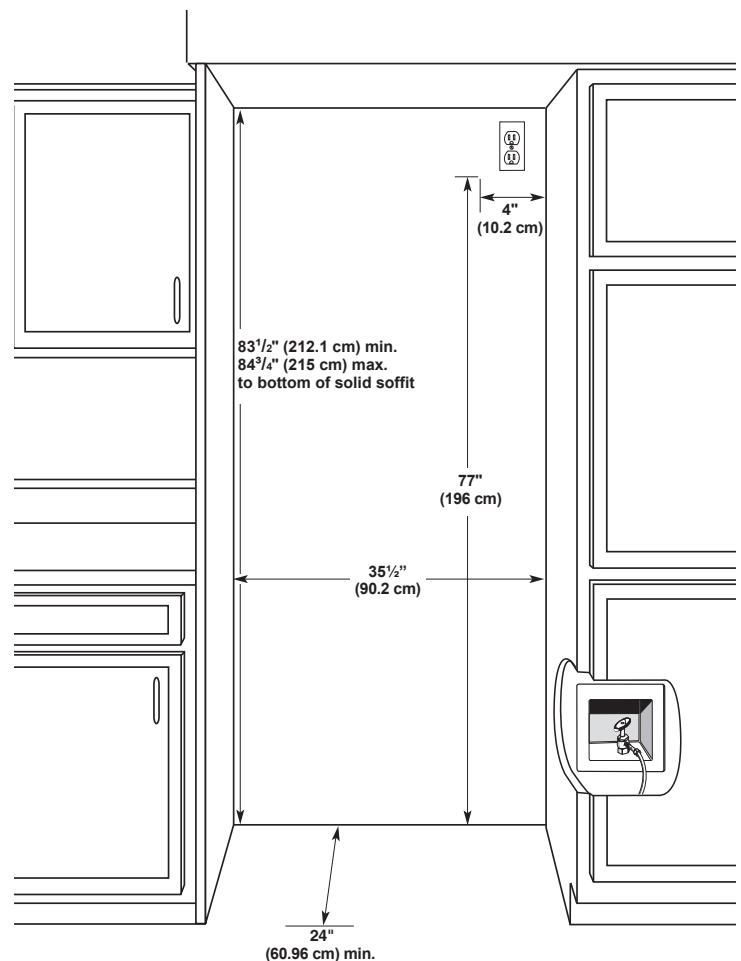
- ◇ To avoid tipping during use, the solid soffit must be within 1" (2.5 cm) maximum above the refrigerator. If the solid soffit is higher than 1" (2.5 cm) or one is not available, then the refrigerator must be braced.

If the anti-tip boards are needed, they must be attached to the rear wall studs 80" to 90" (203 cm to 229 cm) above the floor. See *Install Anti-Tip Boards* for more information.

NOTE: A clearance of 1/2" (1.3 cm) must be maintained above the top grille in order for the top grille to be removed.



- ◇ A grounded 3 prong electrical outlet should be placed within 4" (10.2 cm) of the right side cabinets or end panel. See *Electrical Requirements* for more information.
- ◇ The water shutoff should be located in the base cabinet on either side of the refrigerator or some other easily accessible area. If the water shutoff valve is not in the cabinets, the plumbing for the water line can come through the floor or the back wall. See *Water Supply Requirements* for more information.



EF36, IF36

dacor
The Life of the Kitchen.®

Revised
04/25/08

36" Wide Built-In Refrigerator

2/8

PLANNING GUIDE

Electrical Requirements

Before you move your refrigerator into its final location, it is important to make sure you have the proper electrical connection.

Recommended Grounding Method

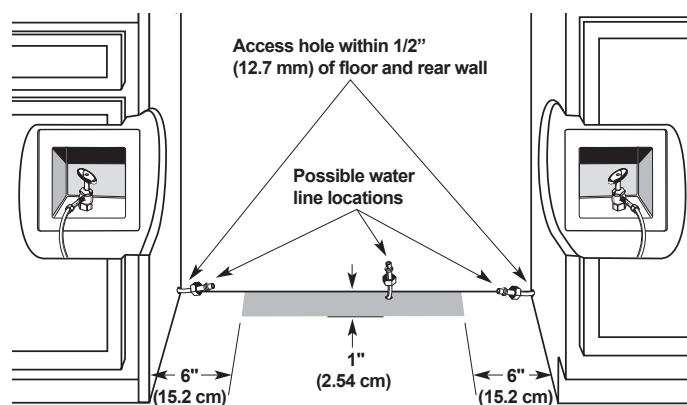
A 115 Volt, 60 Hz., AC only 15 or 20-amp fused, grounded electrical supply is required. It is recommended that a separate circuit serving only your refrigerator be provided. Use an outlet that cannot be turned off by a switch. Do not use an extension cord.

IMPORTANT: If this product is connected to a GFCI (Ground Fault Circuit Interrupter) protected outlet, nuisance tripping of the power supply may occur, resulting in loss of cooling. Food quality and flavor may be affected. If nuisance tripping has occurred, and if the condition of the food appears poor, dispose of it.

Water Supply Requirements

- ◇ All installations must meet local plumbing code requirements.
- ◇ The water shutoff should be located in the base cabinet on either side of the refrigerator or some other easily accessible area. The right-hand side is recommended. The access hole through the cabinet must be within ½" (12.7 mm) of the rear wall.

NOTE: If the water shut off valve is in the back wall behind the refrigerator, it must be at an angle so that the tube is not kinked when the refrigerator is pushed into its final position.



- ◇ If the water shutoff valve is not in the cabinets, the plumbing for the water line can come through the floor. A ½" (12.7 mm) hole for plumbing should be drilled at least 6" (15.2 cm) from the right or left hand side cabinet or panel. On the floor, the hole should be no more than 1" (2.54 cm) away from the back wall.
- ◇ If additional tubing is needed, use copper tubing and check for leaks. Install the copper tubing only in areas where the household temperatures will remain above freezing.
- ◇ Do not use a piercing-type or ⅜" (4.76 mm) saddle valve which reduces water flow and clogs more easily.

NOTE: Your refrigerator dealer has a kit available with a ¼" (6.35 mm) saddle-type shutoff valve, a union and copper tubing. Before purchasing, make sure a saddle-type valve complies with your local plumbing codes.

Water Pressure

A cold water supply with water pressure between 30 and 120 psi (207 and 827 kPa) is required to operate the water dispenser and ice maker. If you have questions about your water pressure, call a licensed, qualified plumber.

Reverse Osmosis Water Supply

IMPORTANT: The pressure of the water supply coming out of a reverse osmosis system going to the water inlet valve of the refrigerator needs to be between 30 and 120 psi (207 and 827 kPa). If a reverse osmosis water filtration system is connected to your cold water supply, the water pressure to the reverse osmosis system needs to be a minimum of 40 to 60 psi (276 to 414 kPa).

If the water pressure to the reverse osmosis system is less than 40 to 60 psi (276 to 414 kPa):

- ◇ Check to see whether the sediment filter in the reverse osmosis system is blocked. Replace the filter if necessary.
- ◇ Allow the storage tank on the reverse osmosis system to refill after heavy usage.
- ◇ If your refrigerator has a water filter cartridge, it may further reduce the water pressure when used in conjunction with a reverse osmosis system. Remove the water filter cartridge.

If you have questions about your water pressure, call a licensed, qualified plumber.

EF36, IF36



Revised
04/25/08

36" Wide Built-In Refrigerator

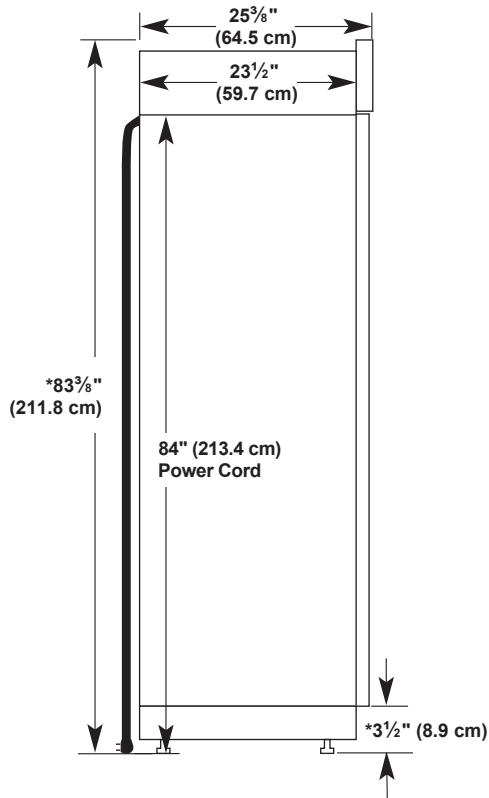
3/8

PLANNING GUIDE

Product Dimensions

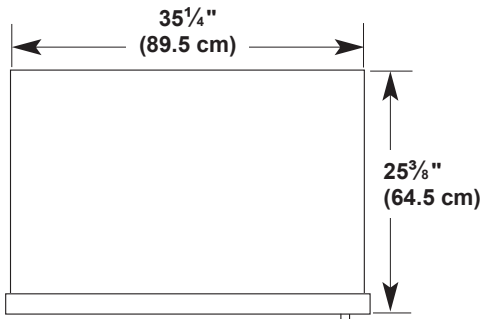
Side View:

- ◇ The depth from the front of the top grille to the back of the refrigerator cabinet is 25⁵/₈" (64.5 cm).
- ◇ The power cord is 84" (213 cm) long.
- ◇ The water line attached to the back of the refrigerator is 5 ft. (1.5 m) long.
- ◇ Height dimensions are shown with leveling legs extended 1/8" (3 mm) below the rollers.



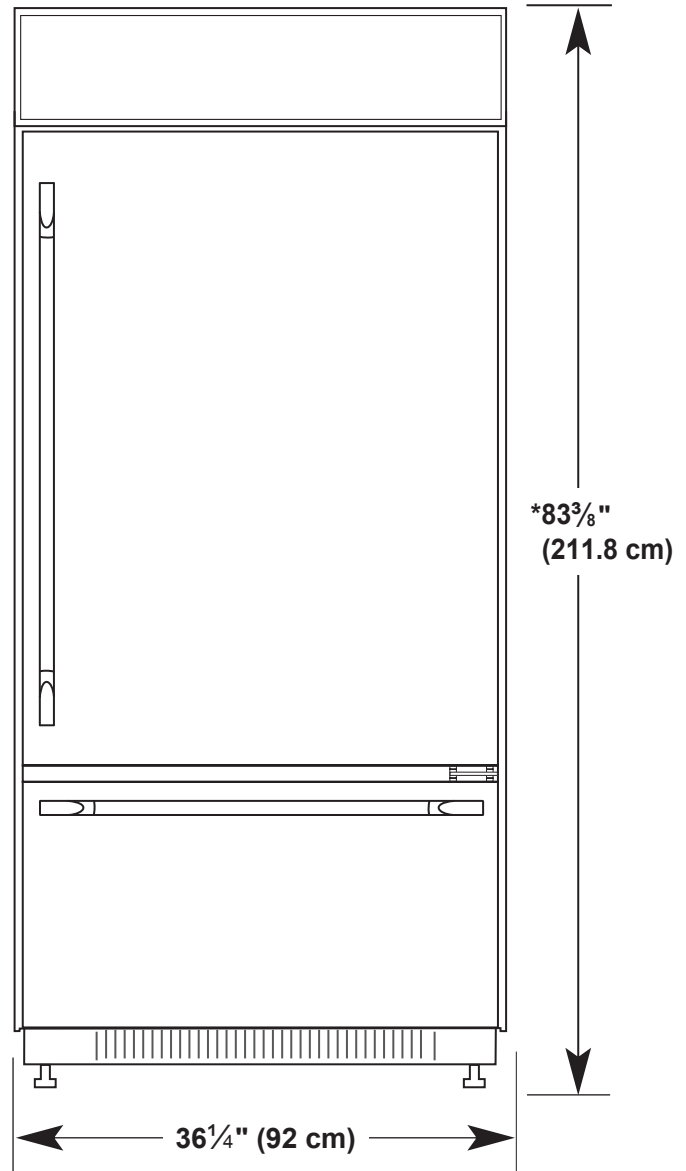
- ◇ * When leveling legs are fully extended to 1¹/₄" (3.2 cm) below rollers, add 1¹/₈" (2.9 cm) to the height dimensions.

Top View:



Front View:

- ◇ Width dimensions were measured from trim edge to trim edge.
- ◇ Height dimensions are shown with leveling legs extended 1/8" (3 mm) below the rollers.



- ◇ * When leveling legs are fully extended to 1¹/₄" (3.2 cm) below rollers, add 1¹/₈" (2.9 cm) to the height dimensions.

EF36, IF36



Revised
04/25/08

36" Wide Built-In Refrigerator

4/8

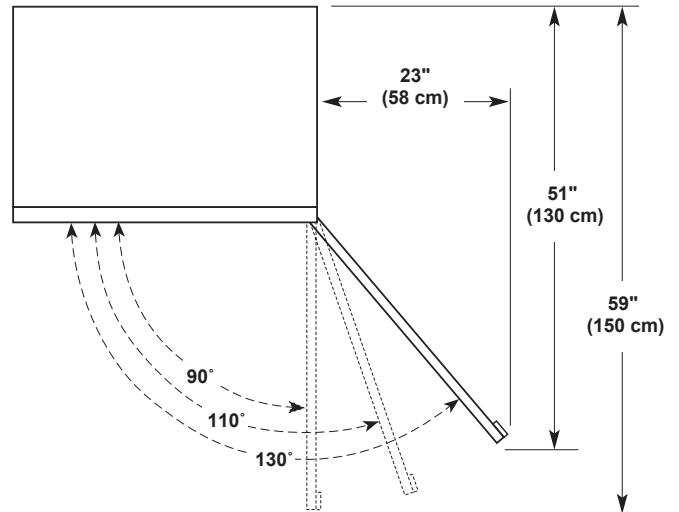
PLANNING GUIDE

Door Swing Dimensions

The location must permit both doors to open to a minimum of 90°. Allow 4½" (11.4 cm) minimum space between the side of the refrigerator and a corner wall.

NOTE: More clearance may be required if you are using overlay panels, custom handles or extended handles on a IF36 model.

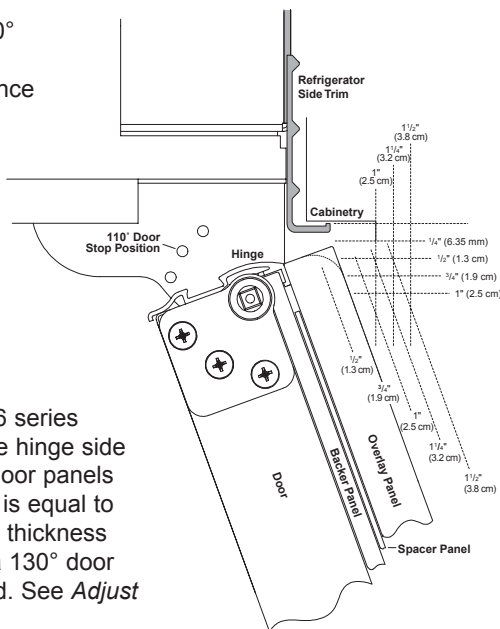
To adjust the door swing, see *Adjust Doors*.



Door Panels and Cabinet Clearance - IF36 Series Models

The custom door panels and adjacent cabinets for models series IF36 must be designed so that there is sufficient clearance for the doors to swing open. If the refrigerator is to be installed close to the wall, see *Door Swing 90°* on the following page.

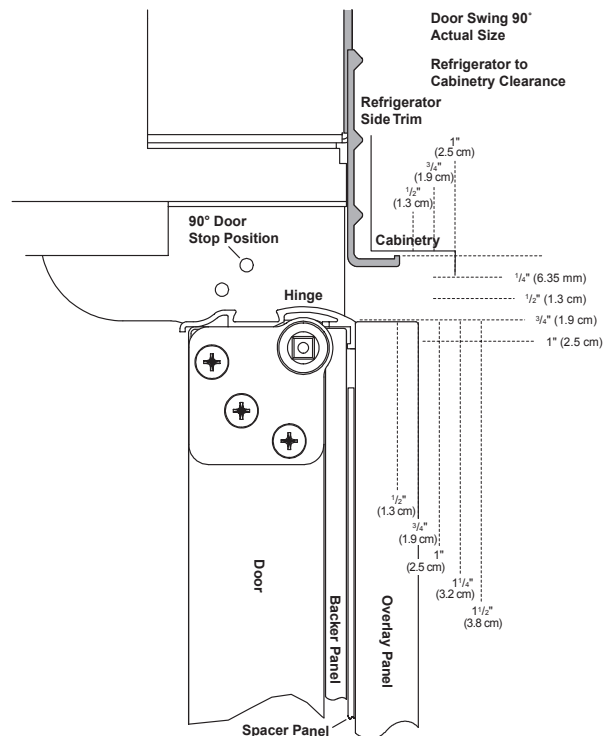
Door Swing 110° Refrigerator to Cabinet Clearance



NOTE: For IF36 series models, rout the hinge side of the custom door panels to a radius that is equal to at least half the thickness of the panel if a 130° door swing is desired. See *Adjust Doors*.

When the doors are closed the refrigerator will extend beyond the face of the adjacent cabinet to some degree.

Door Swing 90° Refrigerator to Cabinet Clearance



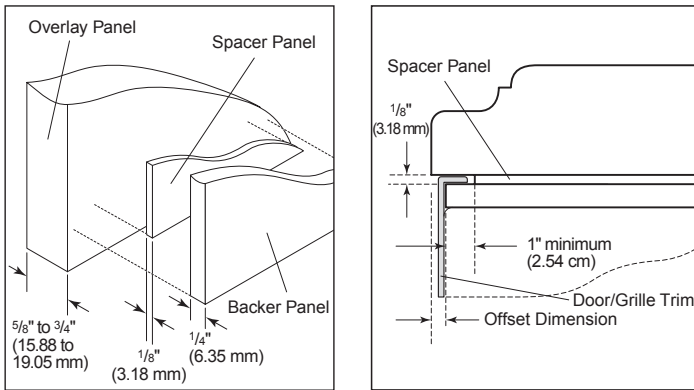
Allow a minimum of 4½" (11.4 cm) of space between the side of the refrigerator and a corner wall. More clearance may be needed if thicker custom panels or custom handles are used. Do not overlook baseboards.

EF36, IF36

Custom Panels and Handles - IF36 Series Models

Custom overlay panels used with the IF36 model series allow you to blend the exterior of your refrigerator into the overall kitchen décor, and to use custom handles for additional design flexibility.

The custom panels must have backer panels attached in order to mount them to the refrigerator. It is most common to work with three panels, as shown in the graphic below. A decorative overlay panel, a 1/8" (3.18 mm) spacer panel or spacer strips and a 1/4" (6.35 mm) backer panel.



In some cases, your cabinet manufacturer may choose to work with one panel routed for the different dimensions. Follow these panel dimension and placement instructions to be sure that the custom overlay panels will fit properly.

IMPORTANT:

Install the panels after moving the refrigerator into place.

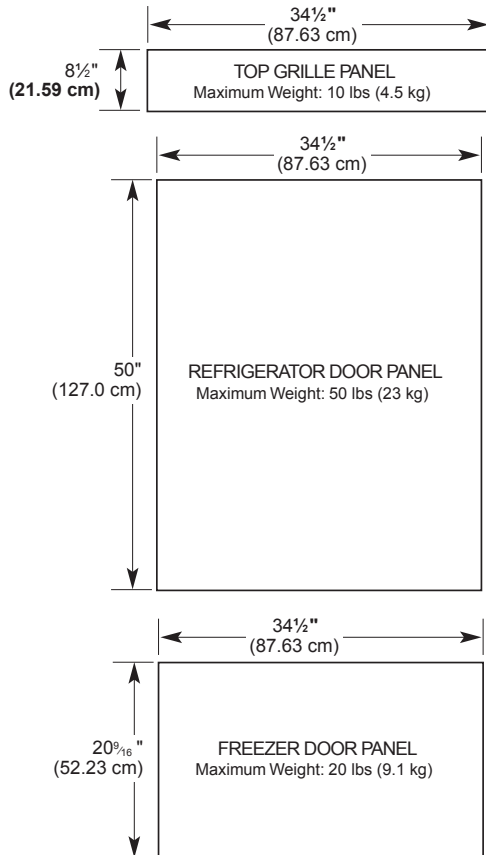
The weight of the overlay panels cannot exceed:

- ◇ 50 lbs. (23 kg) for the refrigerator door.
- ◇ 30 lbs. (13.5 kg) for the freezer door.
- ◇ 10 lbs. (4.5 kg) for the top grille.

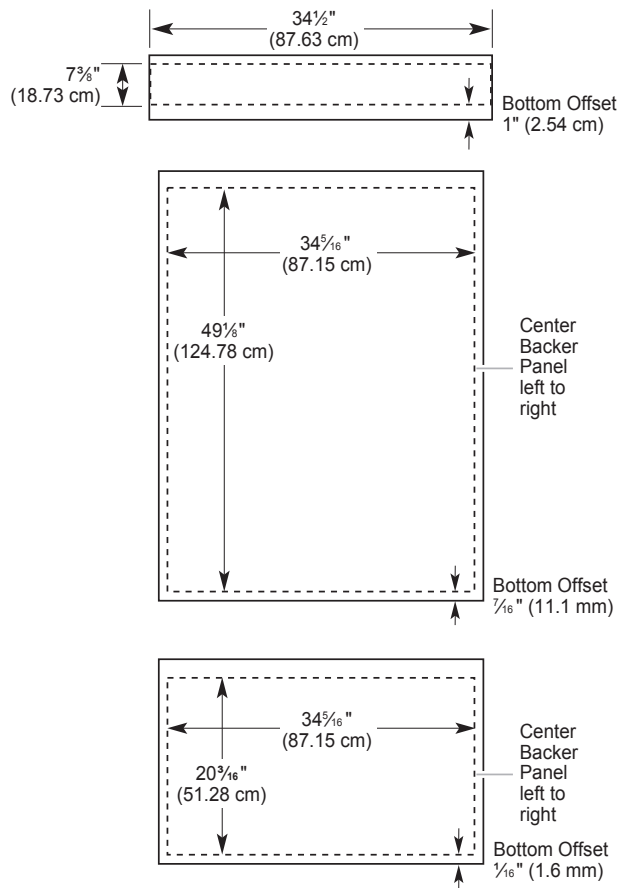
To minimize panel weight, you may use 2" (5.08 cm) spacer strips around the perimeter in place of full-sheet solid spacer panels. The spacer strips must be set in at least 1" (2.54 cm) from the top, bottom and sides edges of the backer panel. If you use spacer strips, it is also recommended that you use two 2" (5.08 cm) strips horizontally centered for added support.

NOTE: For the grille and the door panels to be flush, the overlay door panel should be 1/4" (6.35 mm) thicker than the overlay grille panel.

Overlay Panel Dimensions*



Backer Panel Dimensions*



EF36, IF36

Custom Panels and Handles - IF36 Series Models (Continued)

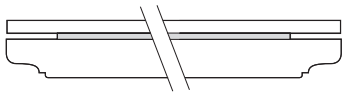
Custom Panels Construction Information

See page 9 for overall dimensions.

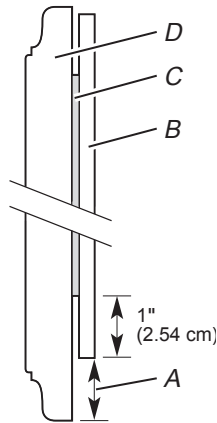
NOTE: Spacer panels must be at least 1" (2.54 cm) from the top, bottom, and side edges of the backer panel.

3-Piece Grille Overlay Panel Configuration

Top View

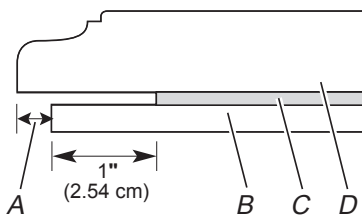


Side View



- A. Offset dimension
- B. 1/4" (6.25 mm) Backer panel
- C. 1/8" (3.18 mm) Spacer panel
- D. 3/4" (1.92 cm) Decorative overlay panel

3-Piece Door Overlay Panel Configuration



- A. Offset dimension
- B. 1/4" (6.25 mm) Backer panel
- C. 1/8" (3.18 mm) Spacer panel
- D. 3/4" (1.92 cm) Decorative overlay panel

1-Piece Overlay Panel Configuration

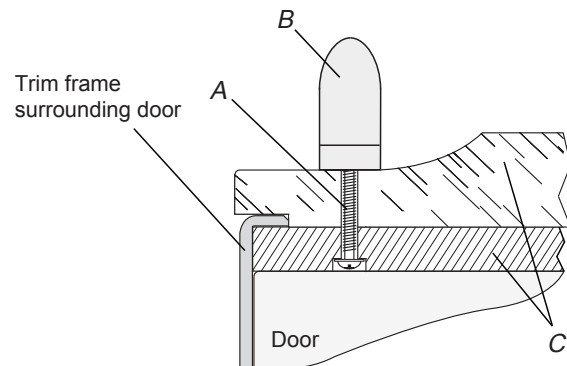
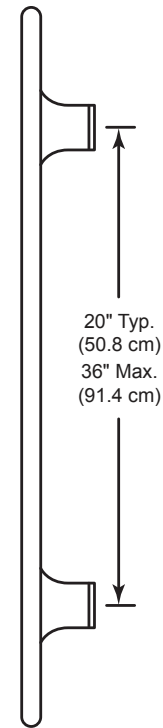
In some cases, your cabinet manufacturer may choose to work with one panel routed for the different dimensions. Follow these panel dimensions and placement instructions to be sure that the custom overlay panels will fit properly.

Custom Handles

Dacor recommends handles with larger D-style pulls. If using screws with thick heads, they must be countersunk into the panel before installing the handles.

Any handle designed for use with an appliance should produce satisfactory results. Mounting screw length varies with the total thickness of the panels.

IMPORTANT: Dacor does not advise the use of single pull knobs.



- A. Countersunk screw
- B. Handle
- C. Door panel assembly

EF36, IF36

Custom Side Panels - Model IF36

Custom side panels may be needed when not enough space is available to have cabinets on both sides of the refrigerator or when the refrigerator is placed at the end of a cabinet run. You may choose an inset or recessed inset panel installation for model IF36.

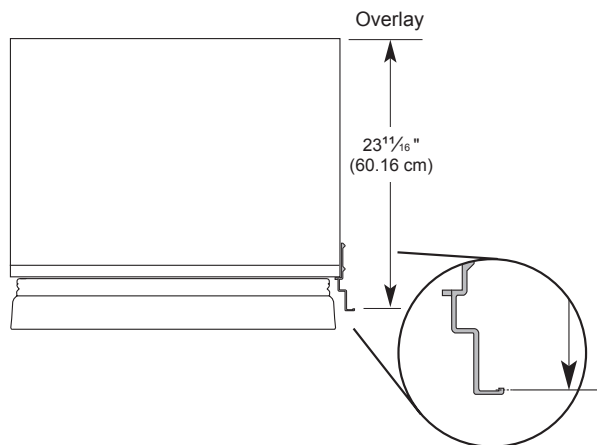
Refrigerator and Side Trim Dimensions

The width and height of a side panel are determined by the type of installation you are planning.

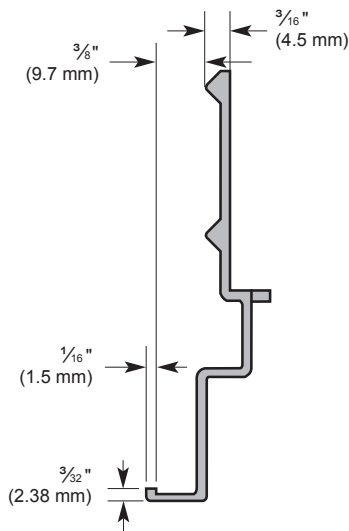
NOTES:

- ◇ The dimensions shown are actual product dimensions and may not reflect the needed installation dimensions.
- ◇ The side panel should be a minimum of 1/2" (1.27 cm) thick to avoid warping.
- ◇ If the opening depth is 25" (63.5 cm) or more, you may want to install a support board on the rear wall.

Refrigerator



Side Trim

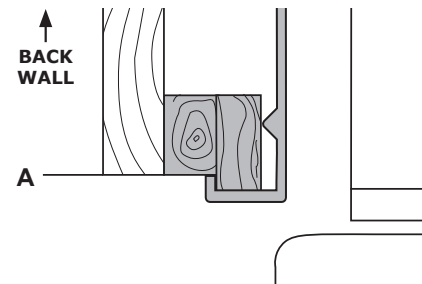
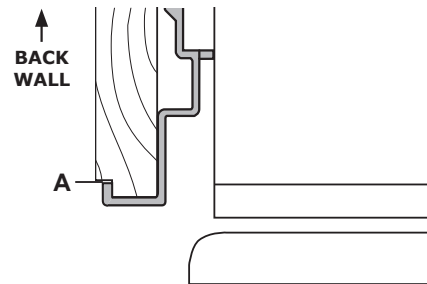


Inset Installation Dimensions

1. Measure the distance from point A (as shown) to the back wall. Add 1/32" (0.8 mm) to this measurement to allow the side panel to fit into the trim.
2. If the panel is more than 3/8" (9.5 mm) thick, rout the front edge to allow the side panel to fit into the trim.

Recessed Inset Installation Dimensions

1. Measure the distance from point A (as shown) to back wall.
2. Route the front edge of the support board or attach a 3/8" (9.5 mm) board to hold the panel in the cabinet side trim.



EF36, IF36

CUSTOM SIDE PANELS - MODEL EF36

Custom side panels may be needed when not enough space is available to have cabinets on both sides of the refrigerator or when the refrigerator is placed at the end of a cabinet run. You may choose an inset, flush or recessed inset panel installation for model EF36.

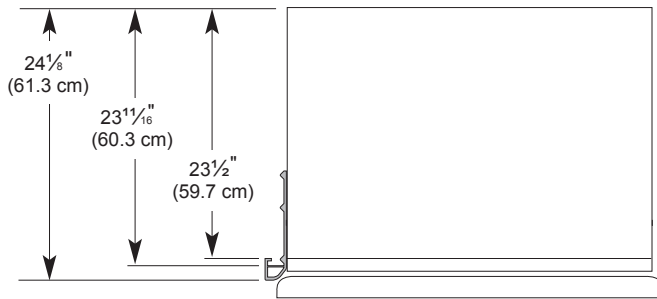
Refrigerator and Side Trim Dimensions

The width and height of a side panel are determined by the type of installation you are planning.

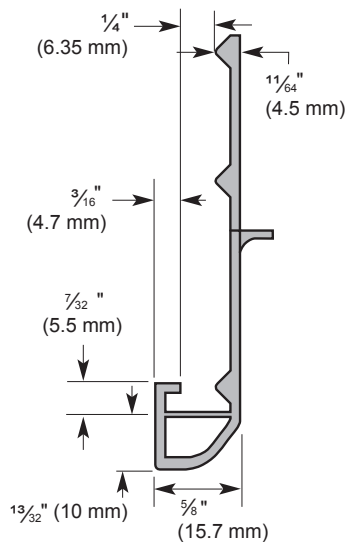
NOTES:

- ◇ The dimensions shown are actual product dimensions and may not reflect the needed installation dimensions.
- ◇ The side panel should be a minimum of $\frac{1}{2}$ " (1.27 cm) thick to avoid warping.
- ◇ If the opening depth is 25" (63.5 cm) or more, you may want to install a support board on rear wall.

Refrigerator

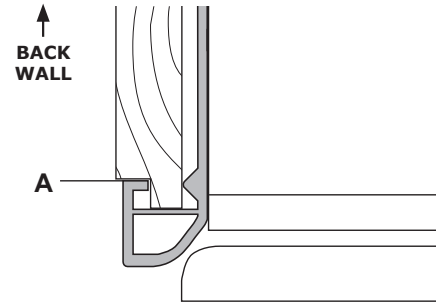


Side Trim



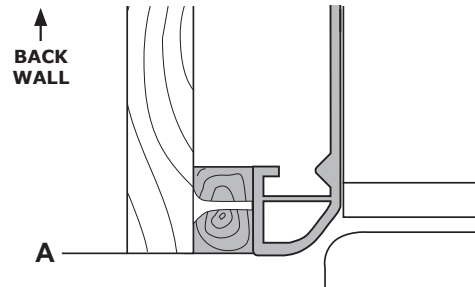
Inset Installation Dimensions

1. Measure the distance from point A (as shown) to the back wall. Add $\frac{7}{32}$ " (5.6 mm) to this measurement to allow the side panel to fit into the trim.
2. If the panel is more than $\frac{1}{4}$ " (6.35 mm) thick, route the front edge to allow the side panel to fit into the trim.



Flush Installation Dimensions

1. Measure the distance from point A (as shown) to the back wall.
2. Attach the support board with a screw or adhesive that is compatible with aluminum and wood.



Recessed Inset Installation Dimensions

1. Measure the distance from point A (as shown) to the back wall.
2. Route the front edge of the support board or attach a $\frac{1}{4}$ " (6.35 mm) board to hold the panel in the cabinet side trim.

