

EF42DBSS, EF42NBSS, EF48DBSS, EF48NBSS, IF42DBOL, IF42NBOL, IF48DBOL, IF48NBOL



Revised
04/22/08

42" and 48" Wide Built-In Refrigerators

1/6

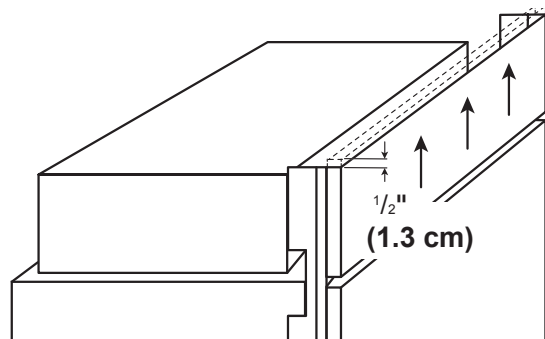
PLANNING GUIDE

OPENING DIMENSIONS

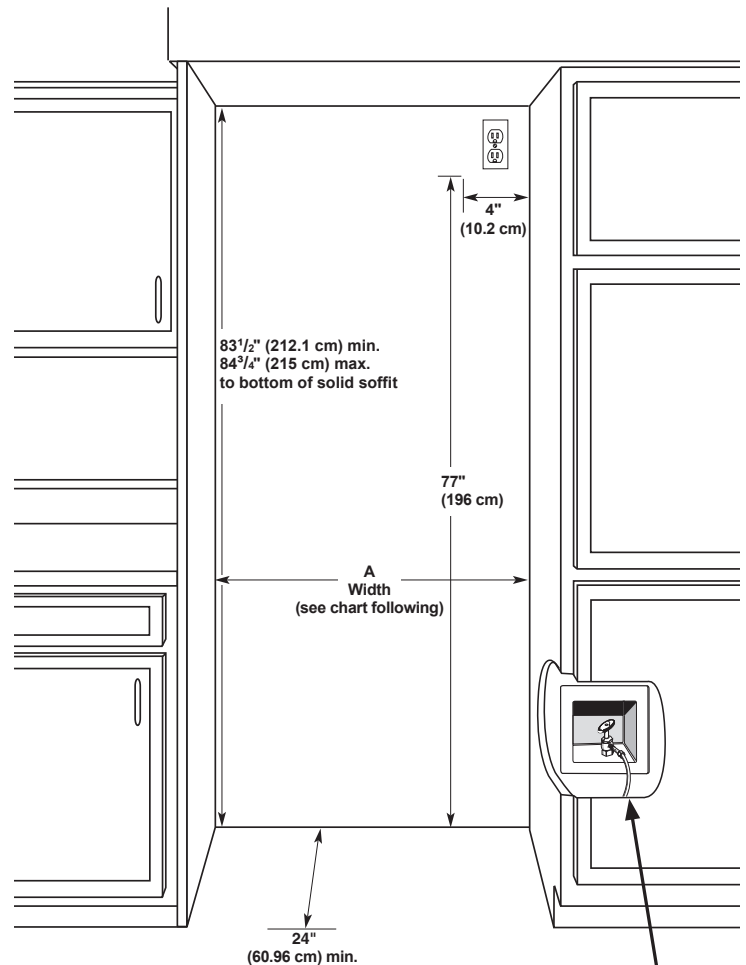
- ◇ To avoid tipping during use, the solid soffit must be within 1" (2.5 cm) maximum above the refrigerator. If the solid soffit is higher than 1" (2.5 cm) or one is not available, then the refrigerator must be braced.

If the anti-tip boards are needed, they must be attached to the rear wall studs 80" to 90" (203 cm to 229 cm) above the floor. See installation instructions for more information.

NOTE: A clearance of 1/2" (1.3 cm) must be maintained above the top grille in order for the top grille to be removed.



- ◇ A grounded 3 prong electrical outlet should be placed within 4" (10.2 cm) of the right side cabinets or end panel. See **Electrical Requirements** for more information.
- ◇ The water shutoff should be located in the base cabinet on either side of the refrigerator or some other easily accessible area. If the water shutoff valve is not in the cabinets, the plumbing for the water line can come through the floor or the back wall. See **Water Supply Requirements** for more information.



See Page 11.15

Model Series	Cutout Width A
EF42, IF42	41 1/2" (105.4 cm) to 41 3/4" (106.1 cm)
EF48, IF48	47 1/2" (120.7 cm) to 47 3/4" (121.3 cm)

NOTE: Flooring under refrigerator must be at same level as the room. Face of cabinetry must be plumb.

EF42DBSS, EF42NBSS, EF48DBSS, EF48NBSS, IF42DBOL, IF42NBOL, IF48DBOL, IF48NBOL

dacor
The Life of the Kitchen.®

Revised
04/22/08

42" and 48" Wide Built-In Refrigerators

2/6

PLANNING GUIDE

ELECTRICAL REQUIREMENTS

The electrical circuit must meet all local codes and ordinances.

Recommended Grounding Method

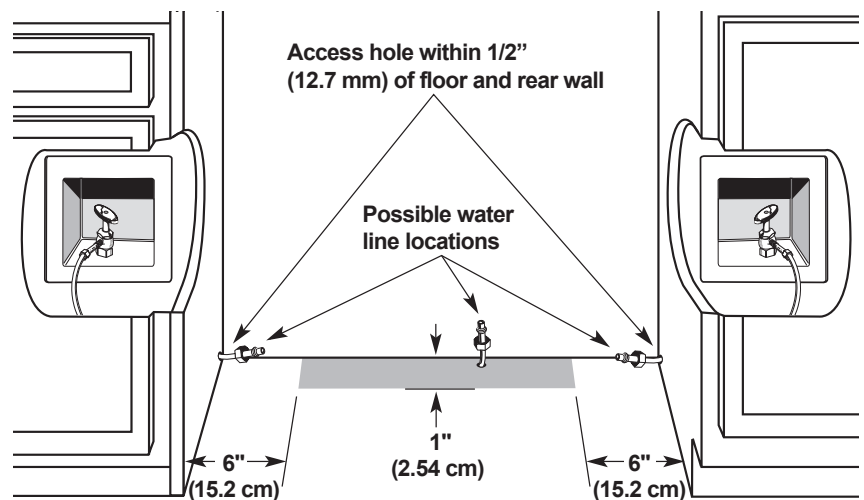
A 115 Vac, 60 Hz., 15 or 20 Amp fused, grounded electrical supply is required. It is recommended that a separate circuit serving only your refrigerator be provided. Use an outlet that cannot be turned off by a switch. Do not use an extension cord.

IMPORTANT: If this product is connected to a GFCI (Ground Fault Circuit Interrupter) protected outlet, nuisance tripping of the power supply may occur, resulting in loss of cooling. Food quality and flavor may be affected.

WATER SUPPLY REQUIREMENTS

- ◇ All installations must meet local plumbing code requirements.
- ◇ The water shutoff should be located in the base cabinet on either side of the refrigerator or some other easily accessible area. The right-hand side is recommended. The access hole through the cabinet must be within ½" (12.7 mm) of the rear wall.

NOTE: If the water shut off valve is in the back wall behind the refrigerator, it must be at an angle so that the tube is not kinked when the refrigerator is pushed into its final position.



Water Pressure

A cold water supply with water pressure between 30 and 120 psi (207 and 827 kPa) is required to operate the water dispenser and ice maker.

Reverse Osmosis Water Supply

IMPORTANT: The pressure of the water supply coming out of a reverse osmosis system going to the water inlet valve of the refrigerator needs to be between 30 and 120 psi (207 and 827 kPa). If a reverse osmosis water filtration system is connected to your cold water supply, the water pressure to the reverse osmosis system needs to be a minimum of 40 to 60 psi (276 to 414 kPa).

EF42DBSS, EF42NBSS, EF48DBSS, EF48NBSS, IF42DBOL, IF42NBOL, IF48DBOL, IF48NBOL



Revised
04/22/08

42" and 48" Wide Built-In Refrigerators

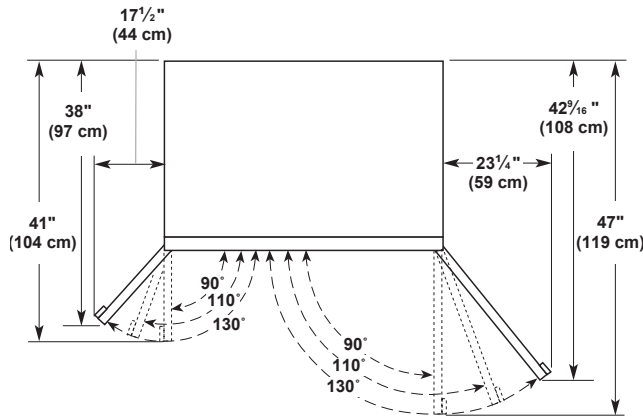
3/6

PLANNING GUIDE

DOOR SWING DIMENSION

The location must permit both doors to open to a minimum of 90°. Allow 4½" (11.4 cm) minimum space between the side of the refrigerator and a corner wall.

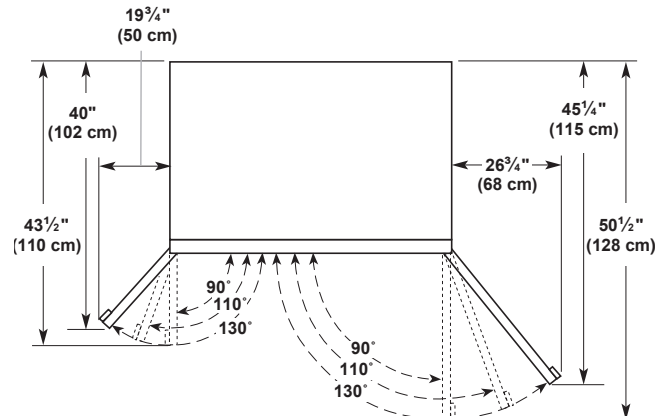
EF42 and IF42 Model Series



NOTE: More clearance may be required if you are using overlay panels, custom handles or extended handles on a IF series model.

To adjust the door swing, see the installation instructions.

EF48 and IF48 Model Series

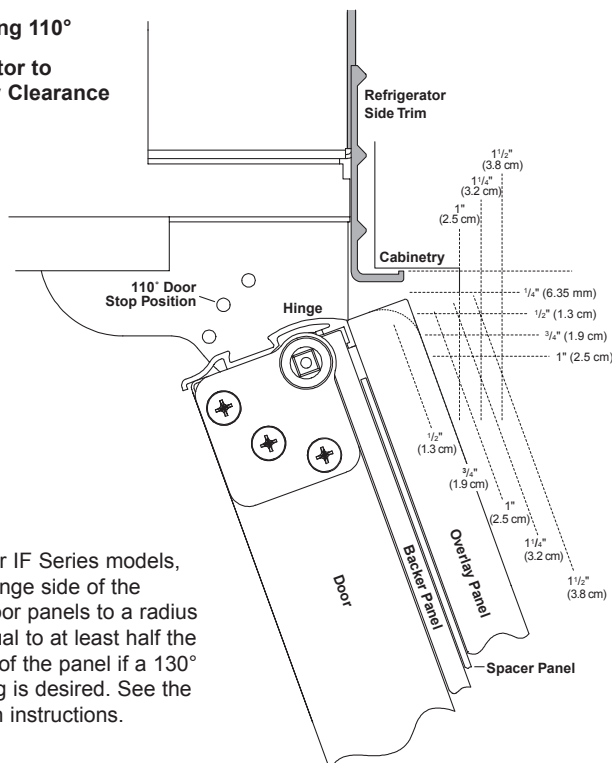


DOOR PANELS AND CABINETY CLEARANCE - IF42/IF48 SERIES MODELS

The custom door panels and adjacent cabinetry for models series IF42 and IF48 must be designed so that there is sufficient clearance for the doors to swing open. If the refrigerator is to be installed close to the wall, see **Door Swing 90°**.

Door Swing 110°

Refrigerator to Cabinetry Clearance



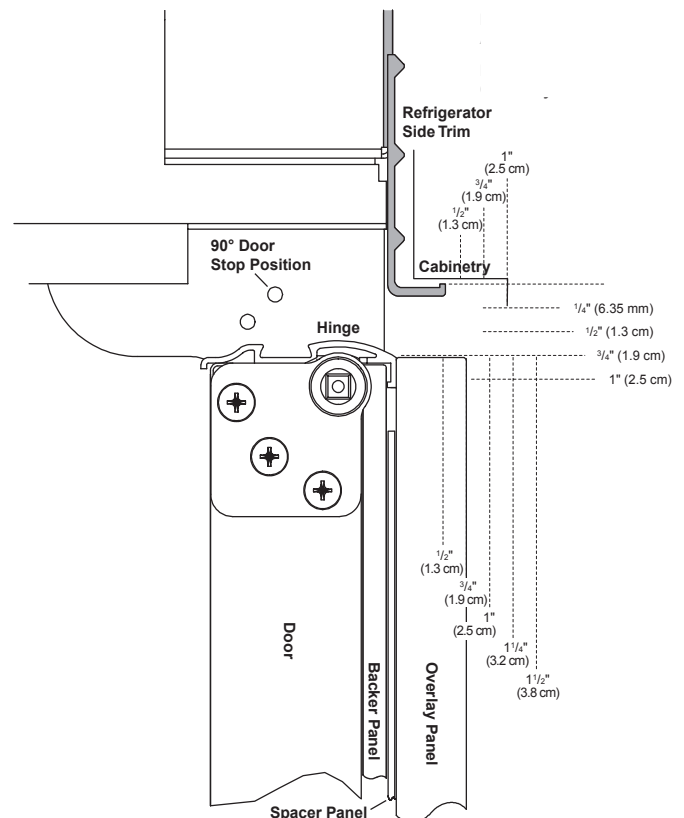
NOTE: For IF Series models, rout the hinge side of the custom door panels to a radius that is equal to at least half the thickness of the panel if a 130° door swing is desired. See the installation instructions.

When the doors are closed the refrigerator will extend beyond the face of the adjacent cabinetry to some degree.

Web: <http://www.Dacor.com>
Corporate Phone: 800-793-0093

Door Swing 90°

Refrigerator to Cabinety Clearance



Allow a minimum of 4½" (11.4 cm) of space between the side of the refrigerator and a corner wall. More clearance may be needed if thicker custom panels or custom handles are used. Do not overlook baseboards.

Specifications are subject to change without notice.
See installation instructions for additional details.

EF42DBSS, EF42NBSS, EF48DBSS, EF48NBSS, IF42DBOL, IF42NBOL, IF48DBOL, IF48NBOL



Revised
04/22/08

42" and 48" Wide Built-In Refrigerators

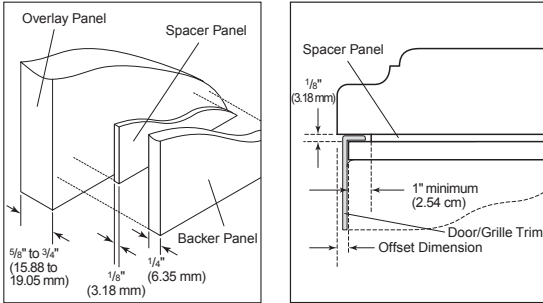
4/6

PLANNING GUIDE

CUSTOM PANELS AND HANDLES - IF42/IF48 SERIES MODELS

Custom overlay panels used with models IF42 and IF48 allow you to blend the exterior of your refrigerator into the overall kitchen décor, and to use custom handles for additional design flexibility.

The custom panels must have backer panels attached in order to mount them to the refrigerator. It is most common to work with three panels, as shown in the graphic below. A decorative overlay panel, a 1/8" (3.18 mm) spacer panel or spacer strips and a 1/4" (6.35 mm) backer panel.



In some cases, your cabinet manufacturer may choose to work with one panel routed for the different dimensions. Follow these panel dimension and placement instructions to be sure that the custom overlay panels will fit properly.

IMPORTANT:

Install the panels after moving the refrigerator into place.

The weight of the overlay panels cannot exceed:

50 lbs (23 kg) for the refrigerator door.

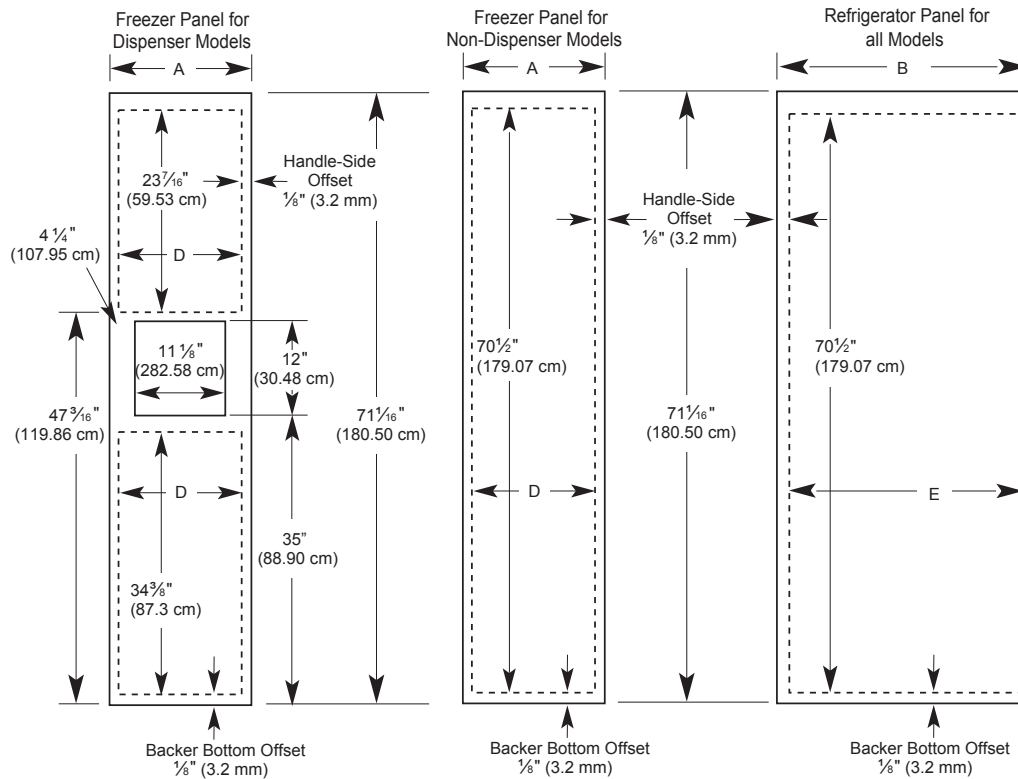
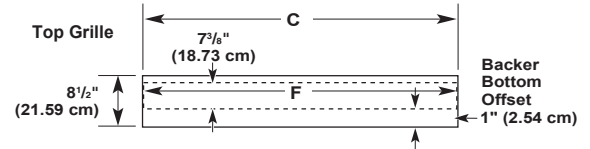
30 lbs (13.5 kg) for the freezer door.

10 lbs (4.5 kg) for the top grille.

To minimize panel weight, you may use 2" (5.08 cm) spacer strips around the perimeter in place of full-sheet solid spacer panels.

The spacer strips must be set in at least 1" (2.54 cm) from the top, bottom and sides edges of the backer panel. If you use spacer strips, it is also recommended that you use two 2" (5.08 cm) strips horizontally centered for added support.

NOTE: For the grille and the door panels to be flush, the overlay door panel should be 1/4" (6.35 mm) thicker than the overlay grille panel.



Decorative Overlay Panels

Model Series	A	B	C
IF42	17 1/8" (43.50 cm)	23 3/8" (58.74 cm)	40 1/2" (102.87 cm)
IF48	19 5/8" (49.85 cm)	26 5/8" (67.63 cm)	46 1/2" (118.11 cm)

Backer Panels

Model Series	D	E	F
IF42	16 7/8" (42.86 cm)	22 7/8" (58.10 cm)	40 1/2" (102.87 cm)
IF48	19 3/8" (49.21 cm)	26 3/8" (66.99 cm)	46 1/2" (118.11 cm)

EF42DBSS, EF42NBSS, EF48DBSS, EF48NBSS, IF42DBOL, IF42NBOL, IF48DBOL, IF48NBOL



Revised
04/22/08

42" and 48" Wide Built-In Refrigerators

5/6

PLANNING GUIDE

CUSTOM SIDE PANELS - IF42/IF48

Custom side panels may be needed when not enough space is available to have cabinets on both sides of the refrigerator or when the refrigerator is placed at the end of a cabinet run. You may choose an Inset or Recessed Inset panel installation for models IF42 and IF48.

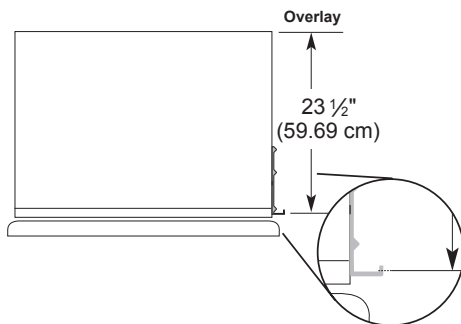
Refrigerator and Side Trim Dimensions

The width and height of a side panel are determined by the type of installation you are planning.

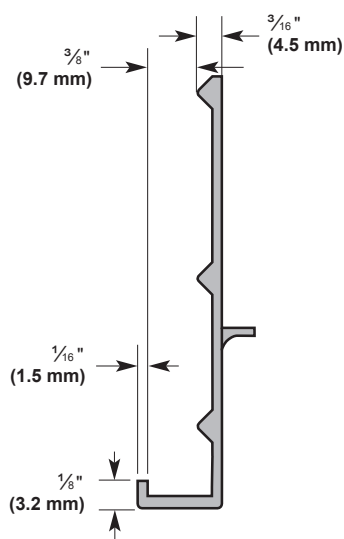
NOTES:

- ◇ The dimensions shown are actual product dimensions and may not reflect the needed installation dimensions.
- ◇ The side panel should be a minimum of $\frac{1}{2}$ " (1.27 cm) thick to avoid warping.
- ◇ If the opening depth is 25" (63.5 cm) or more, you may want to install a support board on rear wall.

Refrigerator

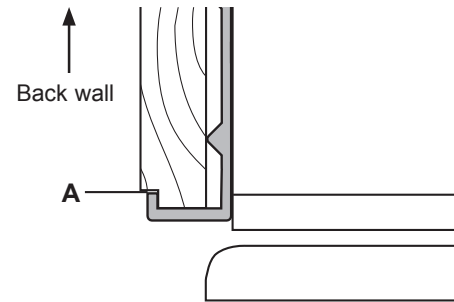


Side Trim



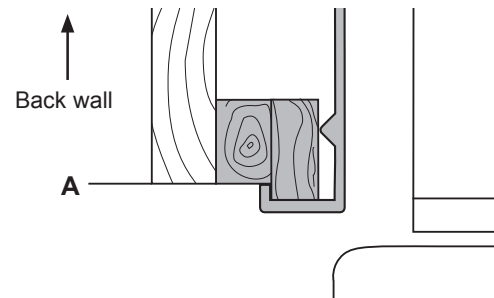
Inset Installation Dimensions

1. Measure the distance from point A (as shown) to the back wall. Add $\frac{1}{32}$ " (0.8 mm) to this measurement to allow the side panel to fit into the trim.
2. If the panel is more than $\frac{3}{8}$ " (9.5 mm) thick, rout the front edge to allow the side panel to fit into the trim.



Recessed Inset Installation Dimensions

1. Measure the distance from point A (as shown) to back wall.
2. Route the front edge of the support board or attach a $\frac{3}{8}$ " (9.5 mm) board to hold the panel in the cabinet side trim.



EF42DBSS, EF42NBSS, EF48DBSS, EF48NBSS, IF42DBOL, IF42NBOL, IF48DBOL, IF48NBOL



Revised
04/22/08

42" and 48" Wide Built-In Refrigerators

6/6

PLANNING GUIDE

CUSTOM SIDE PANELS - EF42/EF48

Custom side panels may be needed when not enough space is available to have cabinets on both sides of the refrigerator or when the refrigerator is placed at the end of a cabinet run. You may choose an inset, flush or recessed inset panel installation for models EF42 and EF48.

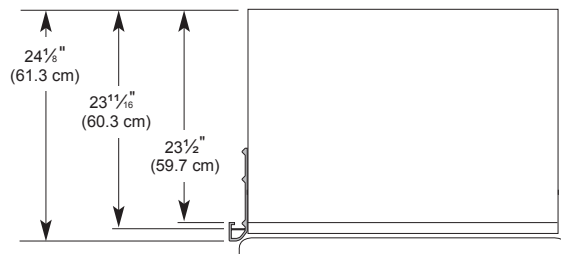
Refrigerator and Side Trim Dimensions

The width and height of a side panel are determined by the type of installation you are planning.

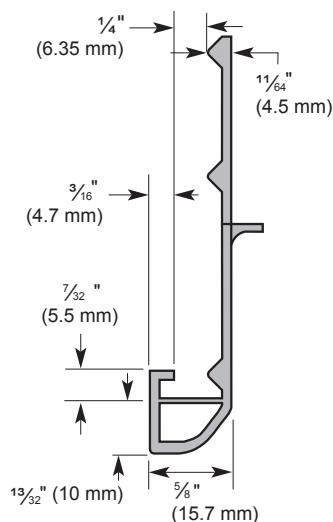
NOTES:

- ◇ The dimensions shown are actual product dimensions and may not reflect the needed installation dimensions.
- ◇ The side panel should be a minimum of $\frac{1}{2}$ " (1.27 cm) thick to avoid warping.
- ◇ If the opening depth is 25" (63.5 cm) or more, you may want to install a support board on the rear wall.

Refrigerator

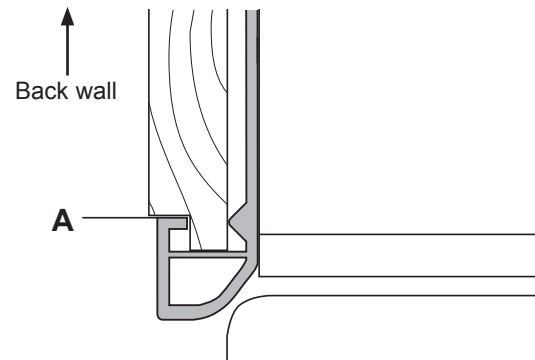


Side Trim



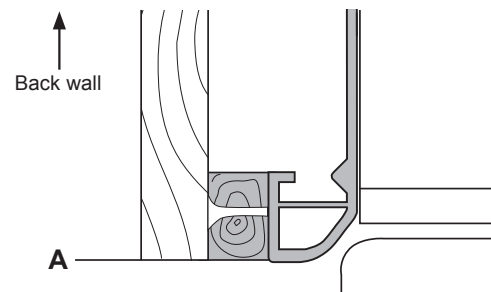
Inset Installation Dimensions

1. Measure the distance from point A (as shown) to the back wall. Add $\frac{7}{32}$ " (5.6 mm) to this measurement to allow the side panel to fit into the trim.
2. If the panel is more than $\frac{1}{4}$ " (6.35 mm) thick, route the front edge to allow the side panel to fit into the trim.



Flush Installation Dimensions

1. Measure the distance from point A (as shown) to the back wall.
2. Attach the support board with a screw or adhesive that is compatible with aluminum and wood.



Recessed Inset Installation Dimensions

1. Measure the distance from point A (as shown) to the back wall.
2. Route the front edge of the support board or attach a $\frac{1}{4}$ " (6.35 mm) board to hold the panel in the cabinet side trim.

