



INSTALLATION INSTRUCTIONS

MILLENNIA™ 24-INCH BUILT-IN DISHWASHER

*For Use With Model:
MDW24S*

TABLE OF CONTENTS

Appliance Safety	1	Installation Instructions	6-10
Design Specifications	2	Removing the Packaging	6
Product Dimensions	2	Installing the Leveling Legs	6
Installation Specifications	2-5	Removing the Foam Motor Support	6
Materials NOT included but needed for ALL installations	2	Removing the Access Cover	6
Materials NOT included but needed for NEW installations	2	Installing the Elbow	7
Tools NOT included but needed for ALL installations	2	Leveling the Dishwasher	7
Tools NOT included but needed for NEW installations	2	Positioning the Dishwasher for Installation	7
Parts Supplied	2	Finishing the Water Connection	7
Installation Tips	3	Finishing the Drain Connection	8
Getting Started	3	Finishing the Electrical Connection	8
Locating the Connections	3-4	Positioning the Dishwasher for Installation	8
Making the Electrical Connection	4	Checking the Installation	8
Making the Water Connection	4	Securing to Cabinet	9
Making the Drain Connection	5	Securing to Countertop	9
		Installing the Toekick	10
		Adjusting the Stainless Steel Trim Plates	10
		Service Information	11

APPLIANCE SAFETY

What You Need to Know About Safety Instructions

Warning and Important Safety Instructions appearing in this guide are not meant to cover all possible conditions and situations that may occur. Common sense, caution and care must be exercised when installing, maintaining or operating appliance.

Always contact Dacor[®] about problems or conditions you do not understand.

Recognize Safety Symbols, Words, Labels

DANGER

DANGER – Immediate hazards which **WILL** result in severe personal injury or death.

WARNING

WARNING – Hazards or unsafe practices which **COULD** result in severe personal injury or death.

CAUTION

CAUTION– Hazards or unsafe practices which **COULD** result in minor personal injury or property damage.

INSTALLATION RECOMMENDATIONS

The importance of the installation of the Dacor[®] Dishwasher cannot be overemphasized. Installation should be done by a qualified installer.

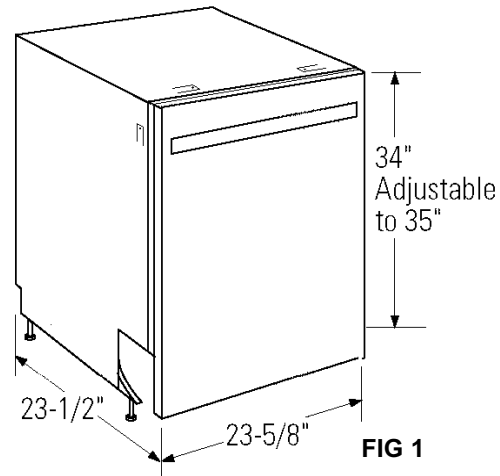
Before you begin the installation process, it is recommended that you read this entire Installation Instruction Manual. There are key details that you should take special care to observe during the installation. By reading these instructions carefully, you will make the installation process easier, problem-free and, most importantly, safe.

Any questions or problems with the installation should be directed to your Dacor[®] dealer or the Dacor[®] Customer Service Department at 800.793.0093 or email customerservice@dacor.com. You can also visit our website at www.dacor.com.

DESIGN SPECIFICATIONS

PRODUCT DIMENSIONS

Make sure the area selected for the installation site meets product dimension requirements.



INSTALLATION SPECIFICATIONS

MATERIALS NOT INCLUDED BUT NEEDED FOR ALL INSTALLATIONS

- 90° elbow (3/8" NPT external thread on one end, opposite end sized to fit water supply)
- Strain relief for electrical connection
- Thread seal tape, pipe seal tape, or joint compound
- UL listed wire connectors (3)
- Screw-type hose clamps

NOTE:

Do not use old parts.

MATERIALS NOT INCLUDED BUT NEEDED FOR NEW INSTALLATIONS

- Air gap for drain hose (if applicable for local codes)
- Y-branch tailpiece (see Figure 5, page 5) for house plumbing, if applicable
- Water in-line 3/8" minimum copper or 1/2" minimum plastic (plastic must be tested for temperature and pressure)
- Electrical cable or power cord
- Hand shut-off valve (recommended)

TOOLS NOT INCLUDED BUT NEEDED FOR ALL INSTALLATIONS

- Phillips head and flat blade screw drivers
- 3/8", 5/16" and 1/4" nut drivers
- Level
- Carpenter's square
- Measuring tape
- Safety glasses
- Flashlight
- Bucket to catch water when flushing the line
- Tubing cutter
- Gloves
- Wire strippers
- Electrical tape
- Duct tape

TOOLS NOT INCLUDED BUT NEEDED FOR NEW INSTALLATIONS

- Drill and appropriate bits
- Hole saw set

PARTS SUPPLIED

Remove the hardware accessory bag and other parts from inside of the dishwasher. Parts supplied include:

- Junction box cover and cover screw
- 2-piece toekick with sound insulation
- Countertop mounting screws (2)
- Cabinet mounting screws (2)
- Color-matched toekick screws (2)
- Leveling legs (2)
- Spanner wrench for leveling legs

INSTALLATION SPECIFICATIONS

INSTALLATION TIPS

Please read all safety instructions before installing your new dishwasher.

⚠ WARNING

WARNING – Electric Shock Hazard: Disconnect electrical power at the fuse box or circuit breaker box before beginning installation. Failure to follow this warning could result in death or serious injury.

- Examine the dishwasher and locate the connections. See *Locating the Connections*.
- Locate dishwasher where there is easy access to drain, water, and electrical lines. The best location is on either side of the kitchen sink for access to existing plumbing and ease in loading dishes. See *Making the Connections*, pages 4-5.
- Electrical, water and drain connections are not the same for all age, brands or models of dishwasher. Check the location and length of home utilities. See *Making the Connections*, pages 4-5.
- A 15-20 amp, grounded 120 volt AC only electrical supply is required. See *Making the Connections*, pages 3-5.
- If the dishwasher drain hose will be connected to a food disposer for the first time, remove knock out plug covering disposer inlet. See *Making the Drain Connection*, page 5.
- Kinked water and drain hoses can cause problems. See *Finishing the Connections*, page 7-8.
- Dishwashers need to be connected to a hot water supply with enough water pressure to ensure an adequate fill. See *Making the Water Connection*, page 4.
- Each home installation differs. You will need additional parts listed above to complete the installation. See *Materials Not Included But Needed For New Installations*, page 2.
- Flush water line prior to making the final connection to prevent clogging of the inlet valve filter screen. See *Finishing the Water Connection*, page 7.
- The dishwasher will look, sound and perform best when properly leveled. See *Leveling the Dishwasher*, page 7.
- Anchor the dishwasher to the countertop and adjacent cabinets. See *Securing the Dishwasher*, page 9.

GETTING STARTED

⚠ WARNING

WARNING – Electric Shock Hazard: - Observe all local codes and ordinances for electrical and plumbing connections. All electrical and plumbing work should be performed by qualified persons. Failure to follow this warning could result in death or serious injury.

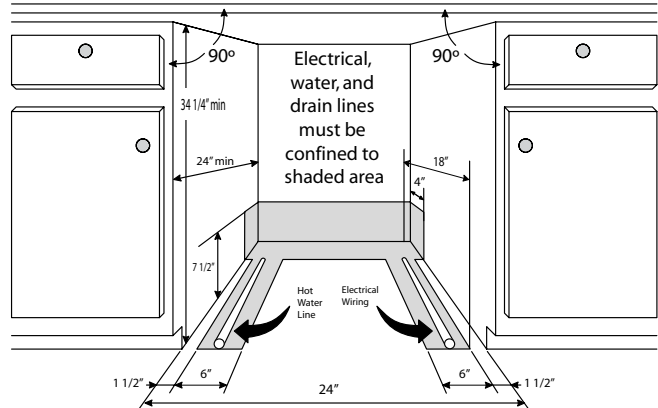


FIG 2

- 1 Make sure your location has the right drain, water and electrical outlets to make connections. Do not install unit under a cooktop. Damage may occur.
- 2 Remove any carpet from area to provide clearance. Floor should be flat and free from any obstructions.

⚠ WARNING

WARNING – Electric Shock Hazard: - Electrical, water and drain lines must be confined to shaded areas in Figure 1. Electric conductors, water and drain could be damaged. Failure to follow these instructions could result in fire or electric shock.

NOTE:

For proper operation and appearance of the unit, cabinet opening should have dimensions as shown in Figure 1. If unit is to be placed in a corner, there must be at least 2 inches between the opened door and the wall in order to open the door.

Drain, water and electrical lines should be roughed-in before going any further.

If the dishwasher is installed at the end of a cabinet line, the dishwasher sides and back must be fully enclosed.

LOCATING THE CONNECTIONS

NOTE:

Do not cross drain, water and electrical lines in front of dishwasher motor or frame.

Disconnect power at breaker box before starting installation.

INSTALLATION SPECIFICATIONS

- 1 Review dimensions in **Figure 3** to locate the dishwasher's drain, water and electrical connections.
- 2 All connections must be made in the shaded area of **Figure 2**, page 3

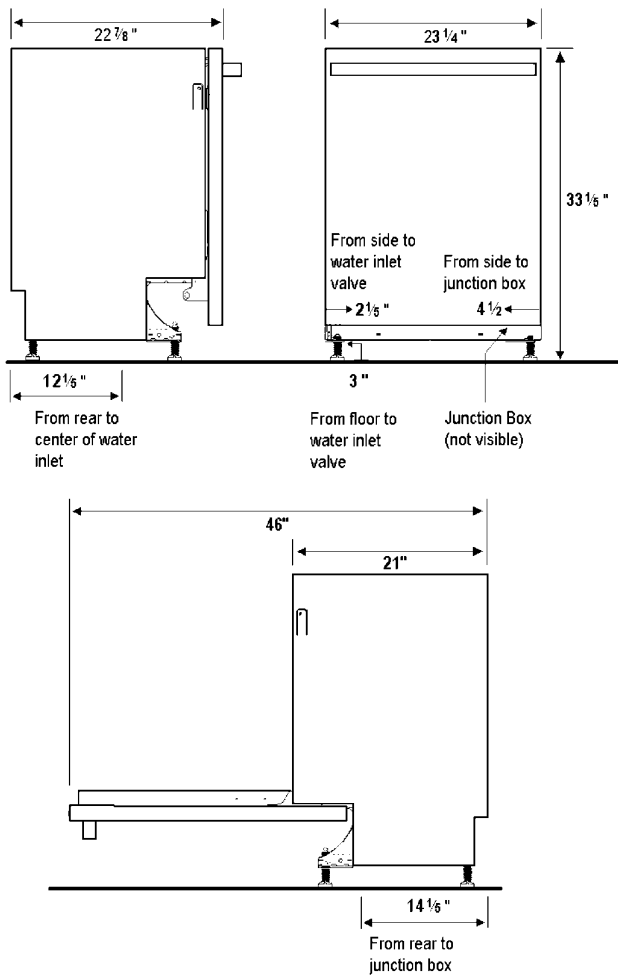


FIG 3

MAKING THE ELECTRICAL CONNECTION

- 1 The dishwasher operates on a 120 Volt, 60 Hz electrical supply. Provide a separate circuit with a fuse or circuit breaker rated for at least 15 amps (20 amps if connected with a disposer), but not more than 20 amps.
- 2 Note the location of the electrical supply and the dishwasher's electrical junction box on the right hand underside of the unit. **See Figure 3.**
- 3 Cut the access hole in the shaded area shown in **Figure 2**, page 3.
- 4 Pull electrical cable through the hole into the installation area.

MAKING THE WATER CONNECTION

⚠ CAUTION

CAUTION— Property Damage: Do not use the furnished drain hose or a rubber garden hose for the water supply line. Either of these hoses can burst. Flooding may occur and cause property damage. Property damage resulted from actions described will void the warranty. An existing or new, copper or stainless steel braided line, rated for dishwasher use, should attach the dishwasher to the water supply line.

- 1 Determine where you connect to the hot water supply. Review **Figure 3**, and note the location of the water inlet valve.
- 2 Be sure water inlet is protected from freezing. If valve freezes and ruptures, flooding may occur.
- 3 Determine the amount of tubing needed to connect the hot water supply to the unit's water inlet valve. Copper tubing must have a minimum of 3/8" OD. High-pressure and high-temperature rated plastic tubing with a minimum inner diameter of 1/4" may be used. A shut-off valve installed outside the dishwasher cabinet is recommended. **See Figure 4.**
- 4 Cut water access hole in cabinet as shown in **Figure 4.**
- 5 Route water supply line to installation area.

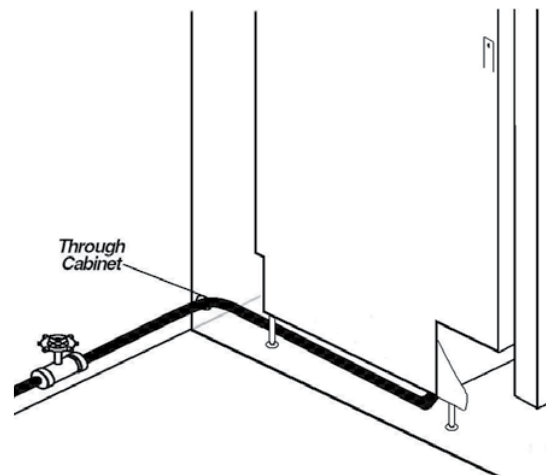


FIG 4

NOTE:

Incoming hot water temperature, set at the hot water heater, should be 120°F (49°C). Water pressure should be between 20-120 psi.

INSTALL SPECIFICATIONS

MAKING THE DRAIN CONNECTION

⚠ CAUTION

CAUTION— To prevent siphoning, an air gap MUST BE USED when waste tee or disposer connection is less than 18" above the floor to prevent siphoning. Failure to provide the proper drain connection using an air gap or a 30" minimum high drain loop will result in improper draining and may cause property damage or poor wash performance.

- 1 Follow local codes and ordinances.
- 2 Review Figure 5 and Figure 8 to see the different ways to connect dishwasher to drain system. Choose the method that best suits your need.
- 3 If you connect to a sink drain, entry will need to be above the trap. A "Y" branch tailpiece and connector kit, not included, will make this method easier and includes all needed fittings and instructions. See Figure 8.

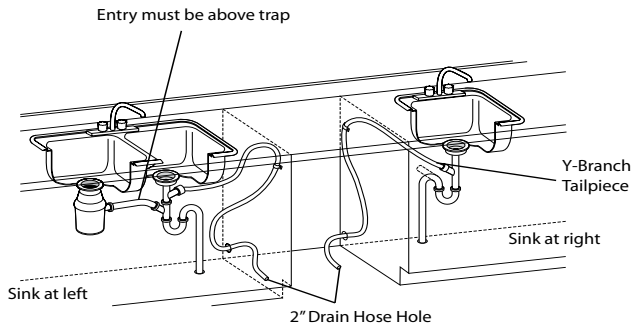


FIG 5

- 4 If you connect to a sink trap, local codes may require you to install an air gap kit, not included. The drain hose will be routed from the dishwasher to an air gap inlet as shown in Figure 8. An air gap kit is available from a plumbing supply store.
- 5 If you connect to a disposer, the large end of drain hose will fit. Figure 6. The knock out plug must be removed from inside disposer inlet before making the final fit to the drain hose. See Figure 7.
- 6 Before cutting the drain hose access, check both sides of the selected area to avoid interference. Cut a 2" diameter hole in shaded area shown in Figure 2, page 3.
- 7 If the cabinet wall is wood, sand edges of hole until smooth and rounded. If cabinet wall is metal, cover all sharp edges with electrical or duct tape to avoid cutting drain hose.

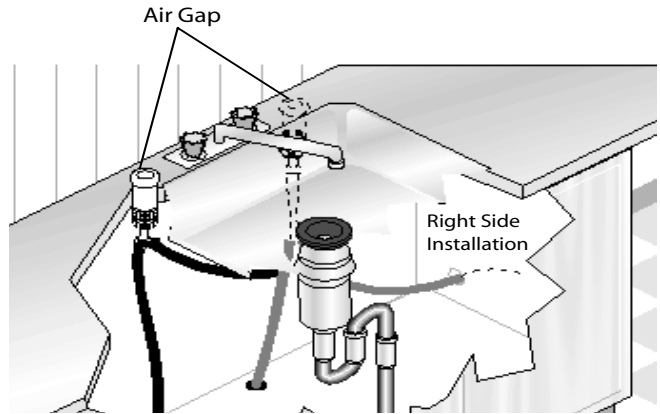


FIG 6

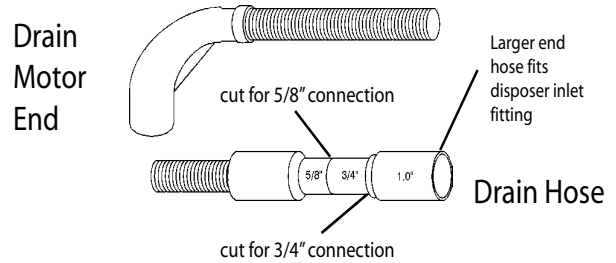


FIG 7

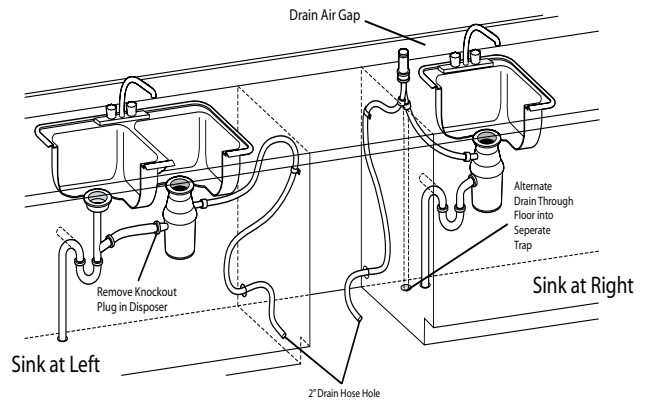


FIG 8

INSTALLATION INSTRUCTIONS

REMOVING THE PACKAGING

- 1 Cut the shipping carton and use it as a pad beneath the dishwasher. This will protect the finished floor in the kitchen.
- 2 Remove wrapping and uncoil the drain hose in the back of the dishwasher. Do not remove the rear insulation blanket.
- 3 Lay the dishwasher on its back. Do not kink or crush the drain hose.

INSTALLING THE LEVELING LEGS

⚠ CAUTION

CAUTION— Failure to install the legs correctly may result in damage to the door when opened.

- 1 Measure the installation opening from the floor to the bottom of the countertop.
- 2 Install the leveling legs into the holes below the red plugs. Use the spanner wrench to screw the legs in until the overall height of the dishwasher is 1/4" less than the installation opening height. See Figure 9.
- 3 Remove the red shipping plugs.

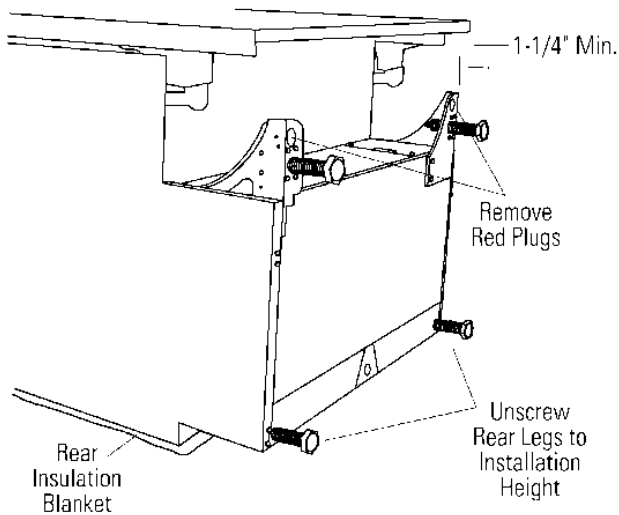


FIG 9

NOTE:

Install the legs as shown a minimum of 1-1/4" from the bottom of the brackets.

REMOVING THE FOAM MOTOR SUPPORT

- 1 Locate the wedge of polystyrene (foam) from between the motor and the liner. See Figure 10.
- 2 Use two hands to rotate and slide the foam down and to the left to remove it.
- 3 Discard the foam.

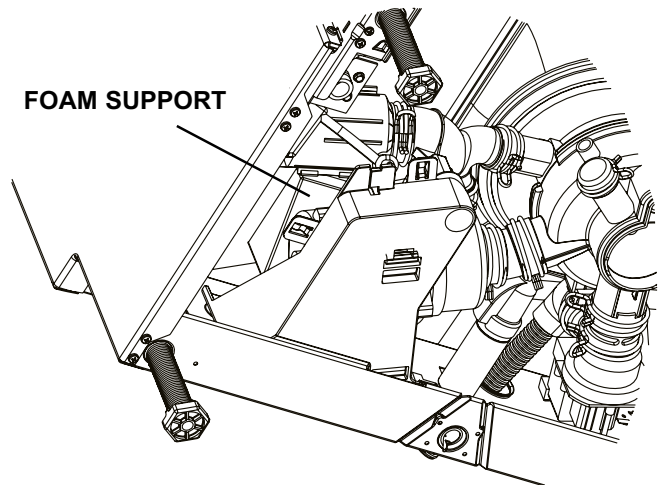


FIG 10

REMOVING THE ACCESS COVER

- 1 Remove the four (4) screws at the front of the access cover. See Figure 11.
- 2 Tilt access cover and pull forward to remove.
- 3 Pull house wiring into junction box. Use a UL listed strain-relief bushing at the junction box to stabilize wiring.

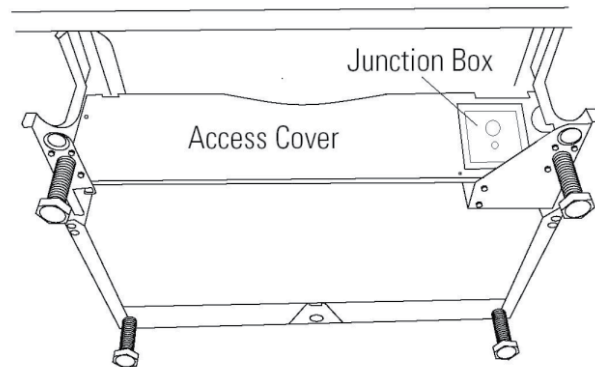


FIG 11

INSTALLATION INSTRUCTIONS

INSTALLING THE ELBOW

- 1 Locate the water inlet valve. The valve has a 3/8" NPT female fitting. See Figure 12.
- 2 Wrap 90° elbow with thread seal tape (or apply joint compound) and thread it into the water inlet valve. Wrap tape in the same direction as the elbow threads.
- 3 Tighten elbow with a wrench, leaving elbow pointing in the direction of the inlet water line. To prevent bending of bracket or breaking of valve, avoid over tightening.

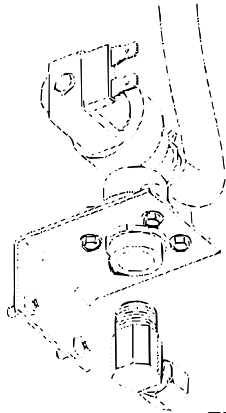


FIG 12

LEVELING THE DISHWASHER

- 1 Measure height of cabinet opening from underside of countertop to floor.
- 2 Move dishwasher to front of installation area.
- 3 Adjust leveling legs and make sure the dishwasher height fits into the enclosure with 1/4" clearance at the top.
- 4 Check that dishwasher is level from side to side by placing a level against the top front section of the tub. See Figure 13.
- 5 Check that the dishwasher is level from front to back by placing a level on the inner panel with the door open.
- 6 Adjust levelers up or down until dishwasher is level.

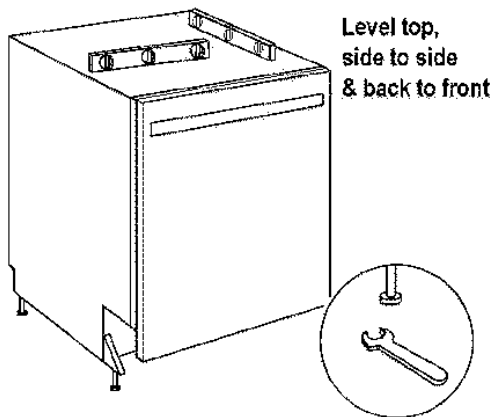


FIG 13

NOTE:

Before continuing the installation, make sure you have an adequate surface to mount beneath or on the sides of the countertop and cabinets. Additional support may be required. See **Securing to Cabinet and Countertop**, page 9.

CAUTION

CAUTION— Do not push against the front panel with knees while positioning dishwasher. Failure to follow this warning could result in damage to the dishwasher. Property damage resulted from actions described will void the warranty.

POSITIONING THE DISHWASHER FOR INSTALLATION

- 1 Insert drain hose into the cabinet wall hole.
- 2 Position the water supply line and house wiring on the floor of the opening to avoid interference with the base and legs of the dishwasher.
- 3 Slide the dishwasher into the opening a few inches at a time. As you proceed, pull the drain hose through the cabinet wall under the sink.
- 4 Check to be sure there is no interference with the house wiring or the water line.

FINISHING THE WATER CONNECTION

NOTE:

If you are using an existing water line, cut 1" off the end.

Always use a new ferrule and compression nut.

- 1 Flush the water supply line to clear any foreign material before connecting to the dishwasher.
- 2 Make sure that there are no sharp bends or kinks to restrict the water flow.
- 3 Insert the water line into the 90° elbow. See Figure 14.
- 4 Slide the ferrule against the elbow and secure with the compression nut.
- 5 Turn the water on to check for leaks.
- 6 Feed the dishwasher cable through the small hole in the junction box.
- 7 Replace the access cover.

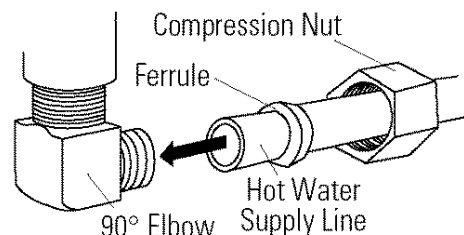


FIG 14

INSTALLATION INSTRUCTIONS

FINISHING THE DRAIN CONNECTION

NOTE:

Follow all local codes and ordinances.

When connecting the drain line to the disposer, check to be sure that the knockout plug has been removed. **DISHWASHER WILL NOT DRAIN IF THE PLUG IS LEFT IN PLACE.**

The dishwasher is supplied with a 72" long drain hose.

- 1 If a longer drain hose is required, add up to 48" of length for a total of 10 feet. The hose must not restrict the flow from the drain of the dishwasher to the house's drain system. The type of hose used should be consistent with the type and diameter installed on the dishwasher.
- 2 Secure the drain hose to the air gap, waste tee or disposer with clamps.
- 3 Make sure the drain hose is not kinked.

FINISHING THE ELECTRICAL CONNECTION

WARNING

WARNING – Electric Shock Hazard - Make sure electrical power has been disconnected at fuse box or circuit breaker box. The dishwasher must be connected to a grounded metal, permanent wiring system, or an equipment-grounding conductor must be run with circuit conductors and connected to the equipment-grounding terminal or lead on the dishwasher. It is the consumer's responsibility to contact a qualified installer to make sure the electrical installation conforms with the National Electrical Code and local codes and ordinances.

Do not connect the dishwasher to the power supply until the appliance is permanently grounded.

All wiring connections must be enclosed in the junction box.

This unit has copper lead wires.

Joining aluminum building wire to stranded copper wire should be done by a qualified electrician using materials recognized by UL and local codes.

Do not use an extension cord. Such use can result in fire, electrical shock, or other personal injury.

Failure to follow these instructions could result in death or serious injury. Property damage resulted from actions described will void the warranty.

- 1 Verify that the power is turned off at the source.
- 2 Strip the necessary insulation off the wires in order to make a good connection.
- 3 Fit the strain relief onto the outer sheath of the wire.
- 4 Fit the strain relief into the junction box hole and tighten. See Figure 15.
- 5 Locate the white, black and green dishwasher wires with stripped ends. Use wire connectors to connect incoming ground to green, white to white and black to black.
- 6 Install the junction box cover with screw provided. Check to be sure that the wires are not pinched under the cover.

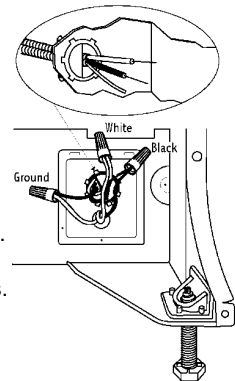


FIG 15

POSITIONING THE DISHWASHER FOR INSTALLATION

- 1 Verify that the dishwasher is adjusted to the correct height and is centered in the enclosure. See *Leveling the Dishwasher*, page 7.
- 2 Open and close the door to insure proper operation. If there is any binding or rubbing, adjust the leveling legs.
- 3 If the door rubs on the right side of the cabinet, extend the left rear leg by unscrewing it 1/4 of a turn. See **Figure 16**.
- 4 If the door rubs on the left side of the cabinet, extend the right rear leg by unscrewing it 1/4 turn. See **Figure 16**.
- 5 Check again to see if the dishwasher is level. Repeat procedure if necessary.

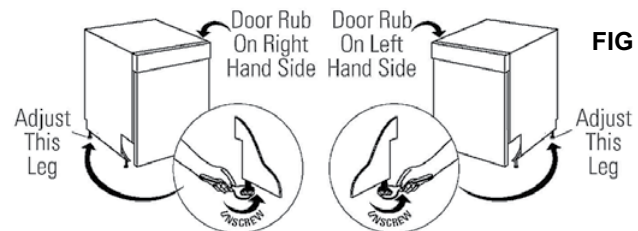


FIG 16

CHECKING THE INSTALLATION

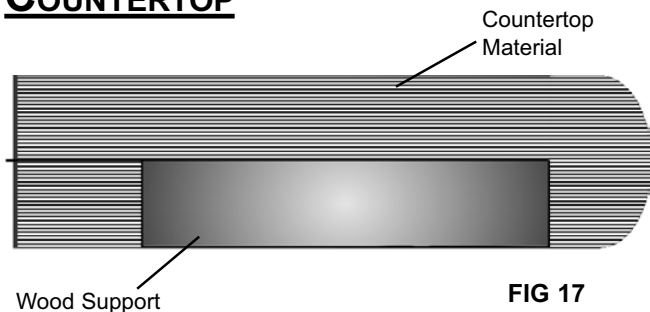
- 1 Check to be sure that the power is OFF.
- 2 Open the door and remove all packaging.
- 3 Pull the lower rack out half way. Check to be sure it does not move backward or forward onto the door. If the rack moves, adjust the legs.
- 4 Verify that the water line and the drain hose are not kinked and are connected properly.
- 5 Turn on water supply.
- 6 Check connections for leaks.
- 7 Turn on power supply.

Operate the machine through at least one fill and pump out and check the following items:

- 1 Make sure the water completely covers the filter.
- 2 Make sure all water is pumped out during the pump phase of the cycle.
- 3 Check connections for leaks.

INSTALLATION INSTRUCTIONS

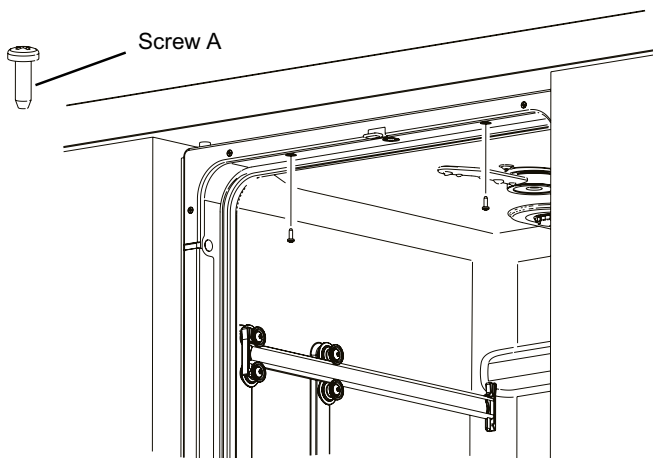
SECURING TO CABINET AND COUNTERTOP



To maintain position and alignment, it is recommended to secure the dishwasher to the countertop and adjacent cabinets.

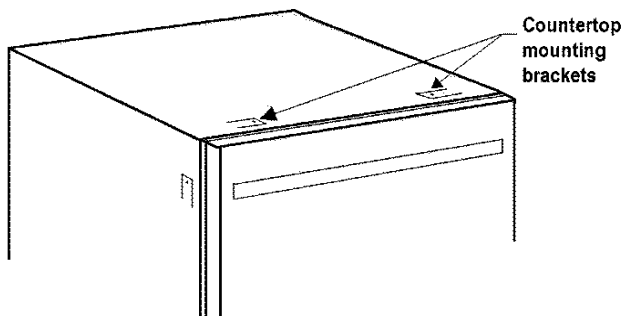
Make sure sufficient countertop support exists:

- 1 If mounting the dishwasher to the countertop, check at a depth of 2.5" under the counter to ensure sufficient mounting support exists. If mounting support does not exist at this depth, go to step 2.
- 2 If necessary, mount a 1" x 4" x 24" wood support to the underside of the counter prior to installing the dishwasher. See Figure 17.



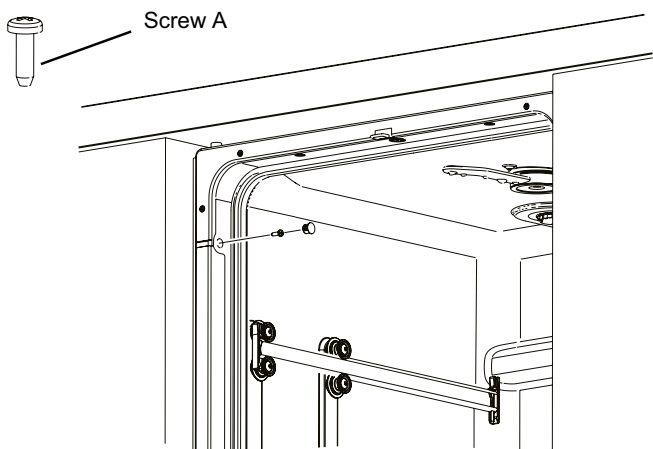
To secure the dishwasher to the countertop:

- 1 Drill pilot holes into the underside of the countertop.
- 2 Secure brackets to countertop using provided screws (labeled Screw A, Figure 18). See Figures 18 and 19.



To secure the dishwasher when countertops are granite:

- 1 Remove the (2) plastic plugs on each side of the inside of the dishwasher frame.
- 2 Drill pilot holes into the adjacent cabinets.
- 3 Secure brackets to cabinets using provided screws (labeled Screw A, Figure 20). See Figure 20.
- 4 Replace plastic plugs.



INSTALLATION INSTRUCTIONS

INSTALLING THE TOEKICK

- 1 Loosen depth adjustment screws.
- 2 Slide bracket out to proper depth and tighten screws. See Figure 21.
- 3 Attach supplied toekick to brackets with provided color matched screws.
- 4 Tighten screws.

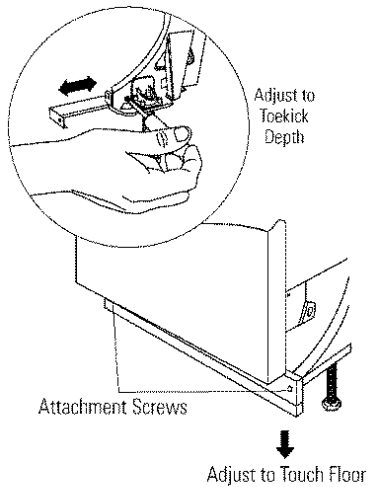


FIG 21

ADJUSTING STAINLESS STEEL TRIM PLATES

Your Dacor® dishwasher has been equipped with adjustable stainless steel side trim plates. Each side can be adjusted independently to create a clean, integrated look with your cabinets.

To adjust side trim strips:

- 1 Fully open the door.
- 2 Loosen, but do not remove, the screws holding the top and side trim plates.
- 3 Adjust stainless steel side trim plates to cover the opening gap.
- 4 Tighten the screws.

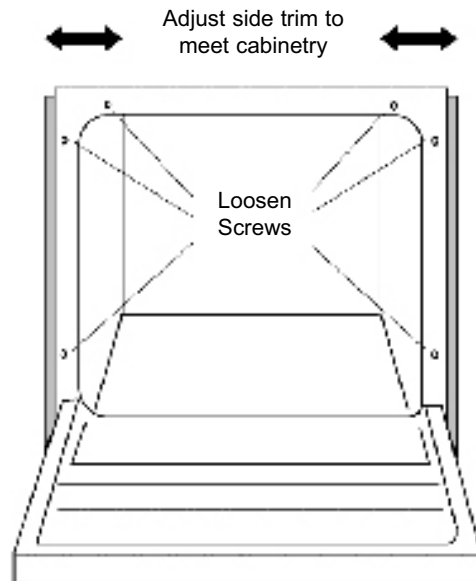


FIG 22

SERVICE INFORMATION

If you need service, be sure to have the model and serial numbers when you call. You'll find these numbers on the serial number plate located on the light shield in the fresh food compartment.

Contact a Dacor[®] authorized Servicer, a Dacor[®] dealer, or the Dacor[®] Customer Service Department at 800.793.0093 or email customerservice@dacor.com

NOTES

NOTES

**Specifications contained within are subject to change without notice.
No liability is assumed by DACOR® for changes in specifications.**

The information and images in this book are the copyright property of Distinctive Appliances, Inc. Neither this book nor any information or images contained herein may be copied or used in whole or in part without the express written permission of Distinctive Appliances, Inc.