

# OF24LS, OF24RS

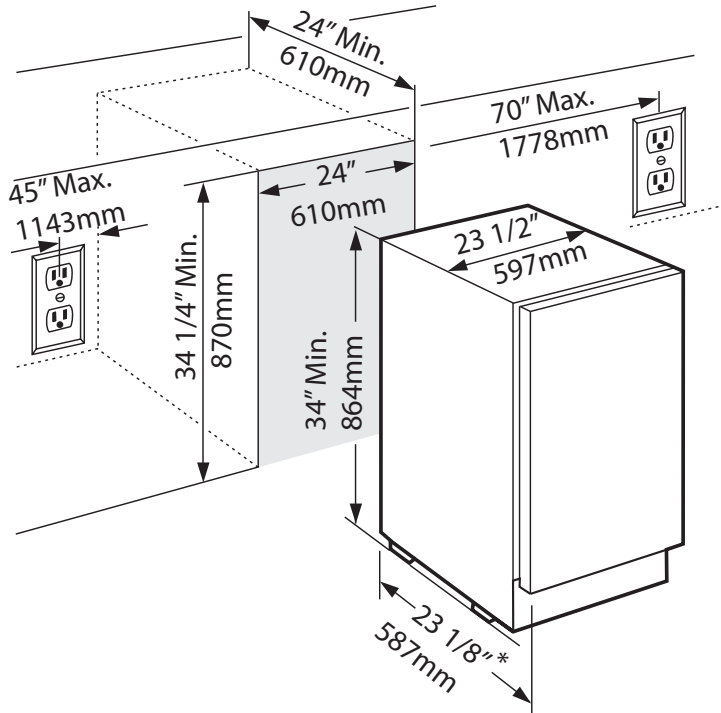


Revised  
04/15/08

## 24" Outdoor Refrigerator

1/1

## PLANNING GUIDE



\*Depth excluding handle depth of 2 1/2" (64mm)

### CABINET CUTOUT/COUNTER-TOP AND PRODUCT DIMENSIONS



#### NOTE:

- The overall height of the appliance can be increased by 1/2" (12.7 mm) by adjusting the feet. The minimum cutout dimensions above allow for additional clearance for sliding the appliance into a recess based on how you choose the final installation to look.

Dedicated Circuit Required	Total Connected Load
120 Vac, 60 Hz, 15 Amp. (Breaker)	0.1 kW (1.2 Amp.)

### Operating Environment

- Do not operate this appliance near an oven, range top, radiator or similar heat source. For best performance, do not place this appliance where it will be hit by direct sunlight or exposed to extreme weather conditions.
- This appliance is designed to operate outdoors. It is set to operate within the ambient temperature limits listed below. These temperature limits should not be exceeded.

#### AMBIENT TEMPERATURE REQUIREMENTS FOR PROPER OPERATION

50°F to 109°F (11°C to 42°C)

### Enclosed Cabinet or Under-Counter-Top Layout Requirements

The Dacor outdoor refrigerator can be recessed within an opening between cabinets or placed under a counter-top if desired.

#### IMPORTANT:

- The installation location should permit the door to open a minimum of 90°. The maximum angle the door can open is 105°.
- The appliance must be located so that the grill on the bottom is not obstructed.
- The electrical outlet must be accessible after installation so that the user can unplug the appliance.
- The floor under the appliance must be flat and level with the surrounding floor.
- If installing the unit in a cutout, make a hole in the side of the cutout to allow the power cord to pass through to the electrical outlet.