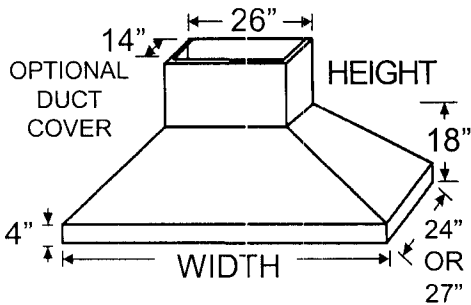


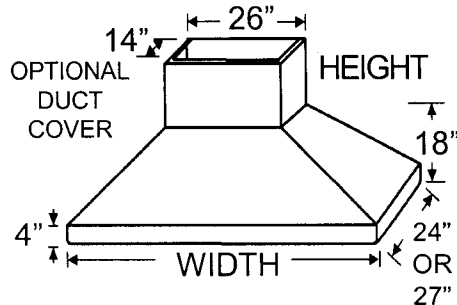


EUROSTYLE WALL MOUNT RANGE HOOD SPECIFICATIONS

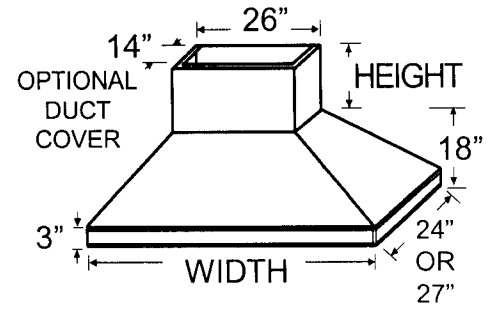
EP(X)T18/EP(X)TH18/NEP(X)T18/NEP(X)TH18/SEP(X)T18/SEP(X)TH18 "H" in part number indicates halogen lighting. These models not available with heat lamps. Shown with optional duct cover (sold separately). Optional duct covers available in standard and custom sizes.



EP(X)T18/EP(X)TH18



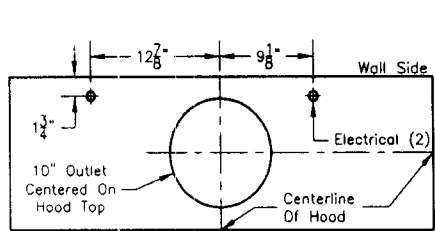
NEP(X)T18/NEP(X)TH18



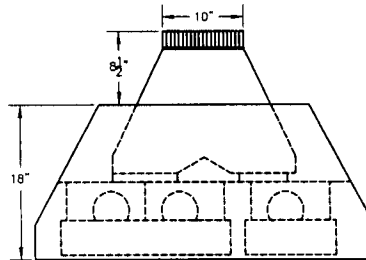
SEPT(X)18/SEP(X)TH18

(X) in part number indicates 27" depth

Blower Outlet Diagrams (42" - 66" Widths)

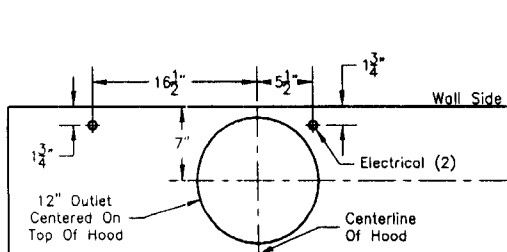


B300 Top View
B200 Dual Blower & B100 Single Blower

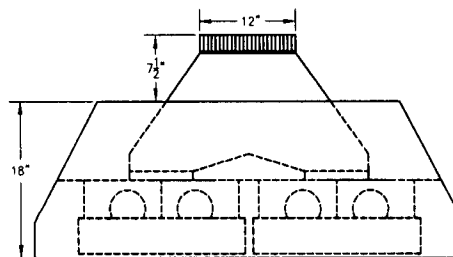


VP562 Standard Transition
(Included)

Blower Outlet Diagrams (54" - 66" Widths)

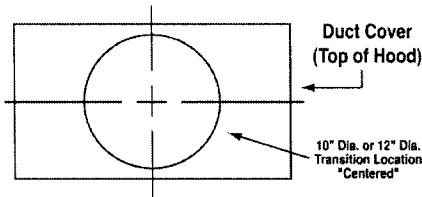


B400 Top View
B200 Dual Blower & B200 Dual Blower

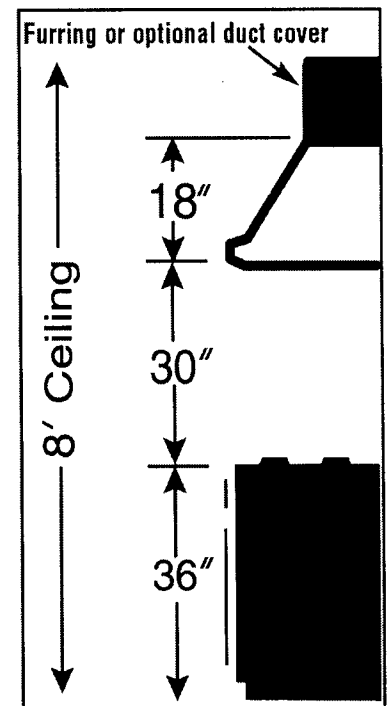


VP563 Standard Transition
(Included)

The transition shown (VP562 & VP563) is installed in the hood at the factory as a standard item. It will be located in the exact center of the duct cover (left to right & front to rear).



Mounting Height



Electrical/Mechanical Specifications For Blower Units

Model	Motor	Type	Volts	Amps	HZ	RPM	CFM SP@0"	Equivalent CFM	CFM SP@0.1"	CFM SP@0.2"	CFM SP@0.3"	Minimum Round Duct Size	Square Inches
B100 Single	1/25	Shaded Pole	115	1.7•	60	1550	300	450	286	270	240	6" (or equivalent)	28
B200 Dual	(2) 1/25	(2) Shaded Pole	115	3.4•	60	1550	600	900	572	540	480	8" (or equivalent)	50

●Note: Add .5 amp for each halogen bulb. Equivalent CFM refers to the fact that the Magic Lung blower uses centrifugal filtration units, whereas others use conventional filters. Apply this guideline when comparing blower units made by other manufacturers. Hood is available with fluorescent light (1 for each single or dual blower) or with halogen lights- 24" to 41" 2 lights, 42" to 53" 3 lights, 54" to 66" 4 lights, over 66" 1 light for each 16" hood width.