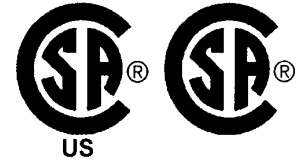


INSTALLATION INSTRUCTIONS

BUILT-IN ELECTRIC COOKTOP

VIKING RANGE CORPORATION
111 Front Street
Greenwood, Mississippi 38930 USA
(662) 455-1200




IMPORTANT: PLEASE READ AND FOLLOW

- Before beginning, please read these instructions completely and carefully.
- Do not remove permanently affixed labels, warnings, or plates from the product. This may void the warranty.
- Please observe all local and national codes and ordinances.
- Please ensure that this product is properly grounded.
- The installer should leave these instructions with the consumer who should retain for local inspector's use and for future reference.
- Installation must conform with local codes or, in the absence of codes, the National Electrical Code, ANSI/NFPA 70-latest edition.

IN CANADA: Electrical installation must be in accordance with the current CSA C22.1 Canadian Electrical Codes Part 1 and/or local codes.

GENERAL INFORMATION

1. **WARNING:** The use of cabinets for storage above the appliance may result in potential burn hazard. Combustible items may ignite, metallic items may become hot and cause burns. If a cabinet storage is to be provided the risk can be reduced by installing a range hood that projects horizontally a minimum of 5 in. beyond the bottom of the cabinets.
2. **WARNING:** This appliance shall not be used for space heating. This information is based on safety considerations.
3. All openings in the wall behind the appliance in the floor under the appliance shall be sealed.
4. Keep appliance area clear and free from combustible materials, gasoline, and other flammable vapors.
5. Disconnect the electric supply to the appliance before cleaning or servicing.
6. When removing the cooktop for service and/or cleaning, disconnect AC power supply.
7. Electrical Requirement:
Listed on Specifications/Wiring Diagram Sheet - Minimum Recommended Electric Circuit.

 **WARNING!**

**ELECTRICAL GROUNDING
INSTRUCTIONS**

This cooktop must be electrically grounded in accordance with local codes or, in the absence of codes, with the National Electrical Code, ANSI/NFPA 70-latest edition.

SPECIFICATIONS - VECU ELECTRIC COOKTOP

Description	VECU106 30" W.		VECU166 36" W.	
Cutout Width	Minimum	28 3/4" (73.0 cm)	Minimum	34 3/4" (88.3 cm)
	Maximum	29 5/8" (75.2 cm)	Maximum	35 1/2" (90.2 cm)
Cutout Height	Minimum - 3 1/8" (7.9 cm)			
Cutout Depth	Minimum - 19 1/8" (48.6 cm)		Maximum - 19 7/8" (50.5 cm)	
Overall Width	30 3/4" (78.1 cm)		36 3/4" (93.3 cm)	
Overall Height from Bottom	5" (12.7 cm)			
Overall Depth from Rear	21" (53.3 cm)			
Electrical Requirements	240 - 208/120 VAC/60 Hz - 3-wire conduit with a No. 10 ground wire.			
	40 amp connection		60 amp connection	
Maximum Amp Usage	240V	8.4 kW; 35.0 amps	11.8 kW	49.2 amps
	208V	6.3 kW; 30.3 amps	8.9 kW	42.6 amps
Surface Element Rating		240V 208V	240V 208V	240V 208V
	Right Front	1500 1125 watts	1200 900 watts	1200 900 watts
	Right Rear	2500 1875 watts	2500 1875 watts	2500 1875 watts
	Center Front	N/A N/A	1800 1350	1800 1350
	Bridge	800 600 watts	800 600 watts	800 600 watts
	Center Rear	N/A N/A	1800 1350	1800 1350
	Left Front	1800 1350 watts	2200 1650 watts	2200 1650 watts
Left Rear	1800 1350 watts	1500 1125 watts	1500 1125 watts	
Approximate Shipping Weight	52 lb. (23.4 kg)		63 lb. (28.4 kg)	

SPECIFICATIONS - DECU ELECTRIC COOKTOP

Description	DECU106 30" W.		DECU166 36" W.		DECU155 45" W.	
Cutout Width	Minimum	28 5/8" (72.7 cm)	34 3/4" (88.3 cm)		42 7/8" (108.9 cm)	
	Maximum	29 7/8" (75.9 cm)	35 7/8" (91.1 cm)		44 1/8" (112.1 cm)	
Cutout Height	Minimum 3 1/8" (7.9 cm)					
Cutout Height with Conduit	4 1/8" (10.5 cm)					
Cutout Depth	Minimum 19 3/4" (50.2 cm)			Maximum - 20 1/8" (51.1 cm)		
Overall Width	30 3/4" (78.1 cm)		36 3/4" (93.3 cm)		45" (114.3 cm)	
Overall Height from Bottom	4 1/2" (11.4 cm)					
Overall Depth from Rear	21" (53.3 cm)					
Electrical Requirements	240 - 208/120 VAC/60 Hz - 3-wire conduit with a No. 10 ground wire. Connect with locally supplied 3-wire with ground, flexible cord rated 60 amp 125-250 VAC minimum. Cord must be agency approved for use with household electric cooktops.					
Maximum Amp Usage	240V	8.4 kW; 35.0 amps	10.9 kW; 44.0 amps		11.8 kW; 49.0 amps	
	208V	6.3 kW; 30.0 amps	8.2 kW; 34.0 amps		8.9 kW; 43.0 amps	
Surface Element Rating		240V 208V	240V 208V	240V 208V	240V 208V	240V 208V
	Right Front	1500 1125 watts	1500 1125 watts	1500 1125 watts	1500 1125 watts	1500 1125 watts
	Right Rear	2500 1875 watts	2200 1650 watts	2200 1650 watts	2200 1650 watts	2200 1650 watts
	Center Right	N/A N/A	2500 1875 watts	2500 1875 watts	1200 900 watts	1200 900 watts
	Center Left	N/A N/A	N/A N/A	N/A N/A	2500 1875 watts	2500 1875 watts
	Left Front	1800 1350 watts	1800 1350 watts	1800 1350 watts	1800 1350 watts	1800 1350 watts
	Bridge	800 600 watts	800 600 watts	800 600 watts	800 600 watts	800 600 watts
Left Rear	1800 1350 watts	1800 1350 watts	1800 1350 watts	1800 1350 watts	1800 1350 watts	
Approximate Shipping Weight	52 lb. (23.4 kg)		60 lb. (27.0 kg)		71 lb. (32.0 kg)	

ELECTRICAL REQUIREMENTS

Check your local codes regarding this unit. This cooktop is supplied with a 3-wire, A.C. 208/120 volt or 120/240 volt, 60 HZ electrical system. A white (neutral) is not needed for this unit. See next section for grounding instructions. It should be fused separately. **CAUTION:** Be sure the electric power is off from the breaker box to the junction box until the cooktop is installed and ready to operate. The junction box should be connected to a suitable ground. Do not use a GFI circuit.

Refer to the specifications chart and the identification label on the bottom of the burner box for kilowatt rating and recommended amperage. House wiring and fusing must comply with local codes. If no local codes are applicable, wire in accordance with the National Electrical Code, ANSI/NFPA 70-latest edition.

ELECTRICAL CONNECTION

WARNING: The electrical power to the unit must be shut off while line connections are being made. Failure to do so could result in serious injury or death.

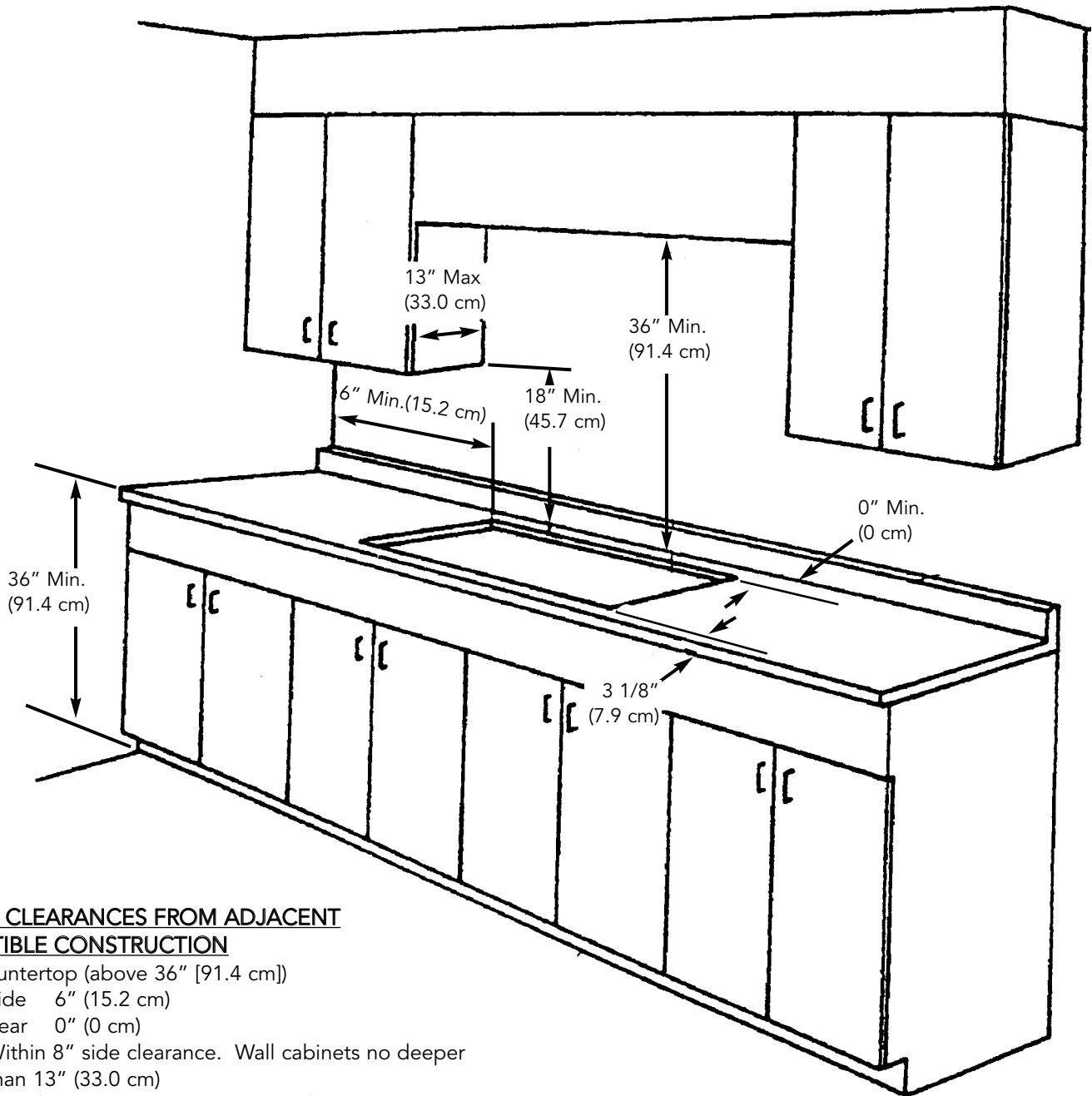
When making the wire connections, use the entire length of the conduit provided (3 feet). The conduit must not be cut. Connect the red and black leads from the unit conduit to the corresponding leads in the junction box. The green ground wire in the conduit is connected to the unit frame. When connecting to a 3-conductor branch circuit, if local codes permit, connect the green ground connector lead of the unit to the branch circuit neutral (gray or white in color).

	WARNING!	DO NOT USE AN EXTENSION CORD WITH THIS APPLIANCE. SUCH USE MAY RESULT IN A FIRE, ELECTRICAL SHOCK OR OTHER PERSONAL INJURY.
--	-----------------	--

PROXIMITY TO SIDE CABINET INSTALLATION

1. The cooktop may be installed directly to existing base cabinets.
2. The cooktop CANNOT be installed directly adjacent to sidewalls, tall cabinets, tall appliances, or other side vertical surfaces above 36" (91.4 cm) high. There must be a minimum of 6" (15.2 cm) side clearance from the cooktop to such combustible surfaces above the 36" (91.4 cm).
3. Within the 6" (15.2 cm) side clearance to combustible vertical surfaces above 36" (91.4 cm), the maximum wall cabinet depth must be 13" (33.0 cm) and wall cabinets within this 6" (15.2 cm) side clearance must be 18" (45.7 cm) above the 36" (91.4 cm) high countertop.
4. Wall cabinet above the cooktop must be a minimum of 36" (91.4 cm) above the countertop for a full width of the cooktop. This minimum height requirement does not apply if a rangehood is installed over the cooking surface.

NOTE: Refer to Installation of Hold Down Brackets on page 7 for minimum clearances under counter.



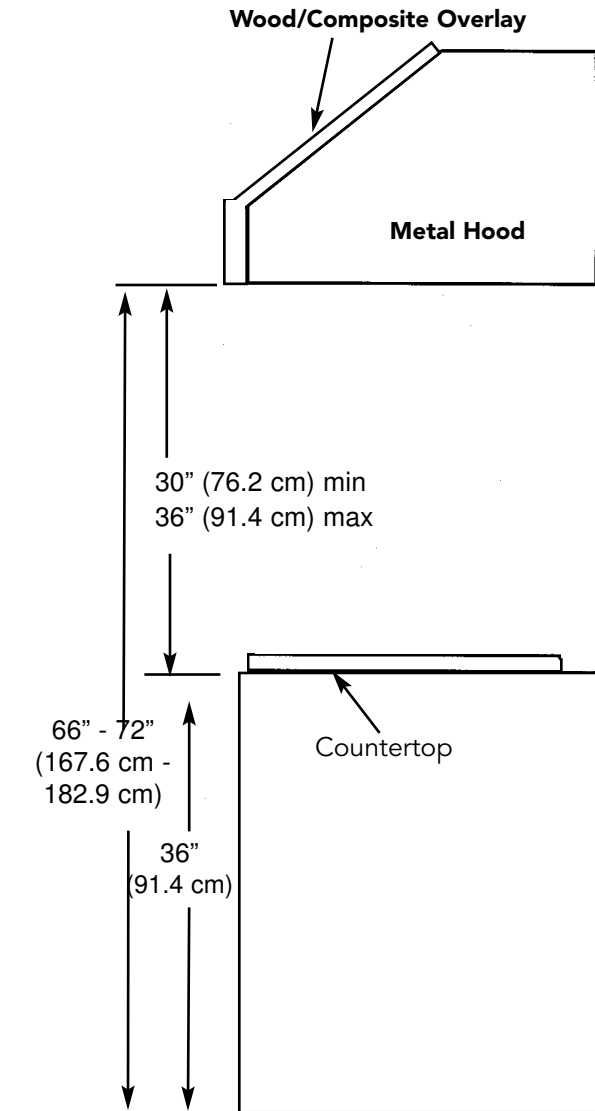
MINIMUM CLEARANCES FROM ADJACENT COMBUSTIBLE CONSTRUCTION

- Above countertop (above 36" [91.4 cm])
 - Side 6" (15.2 cm)
 - Rear 0" (0 cm)
 - Within 8" side clearance. Wall cabinets no deeper than 13" (33.0 cm)
 - Must be minimum 18" (45.7 cm) above countertop
 - Wall cabinets directly above the product must be minimum 36" (91.4 cm) above the countertop.

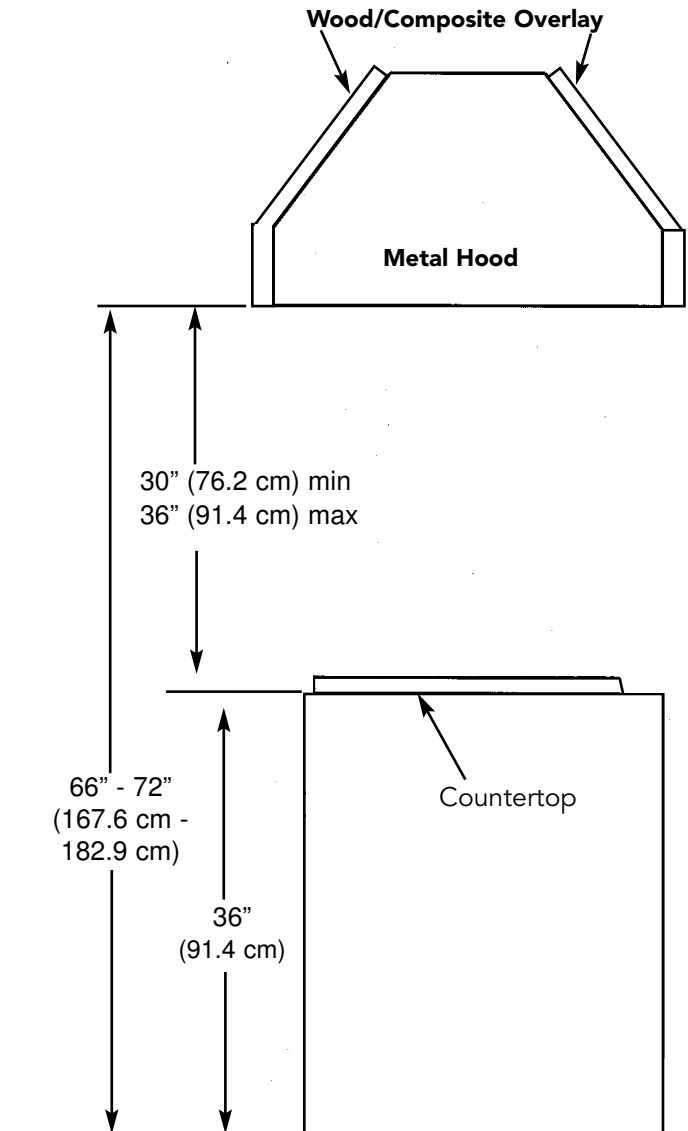
WOOD/COMPOSITE OVERLAY INSTALLATION

The bottom of the hood should be 30" (76.2 cm) min. to 36" (91.4 cm) max. above the countertop. This would typically result in the bottom of the hood being 66" (167.6 cm) to 72" (182.9 cm) above the floor. Refer to the rangehood installation instructions for further information. These dimensions provide for safe and efficient operation of the hood.

WALL INSTALLATION

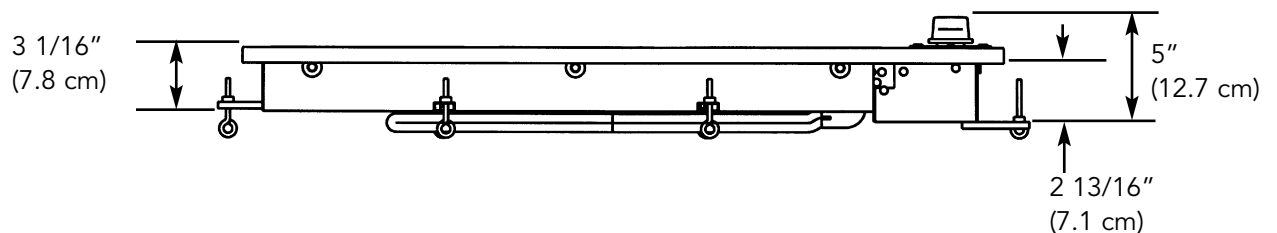


ISLAND INSTALLATION

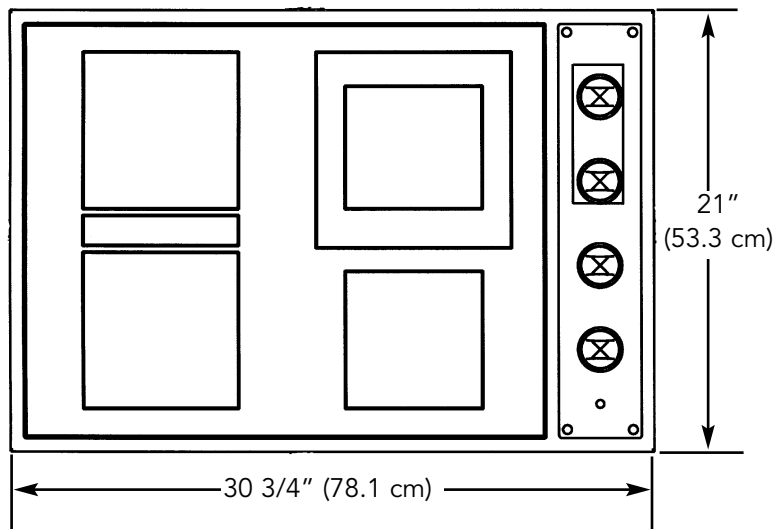


DIMENSIONS

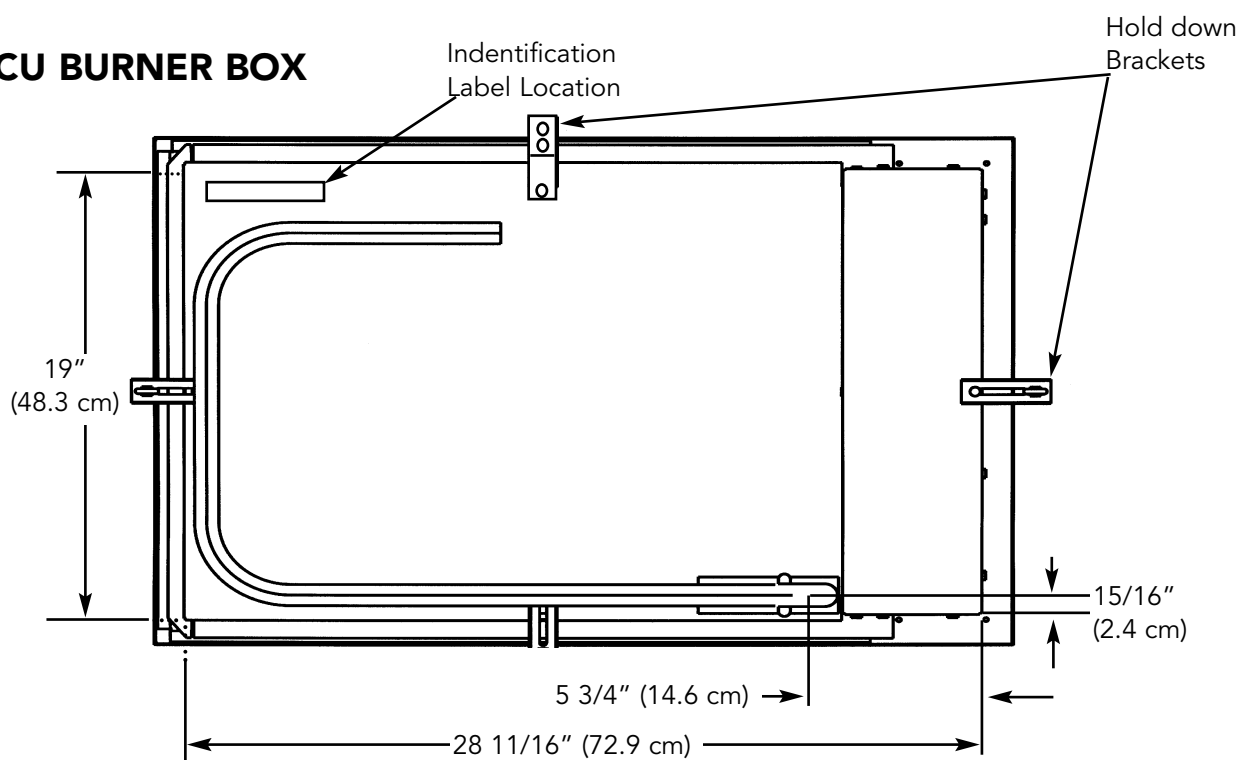
VECU HEIGHT



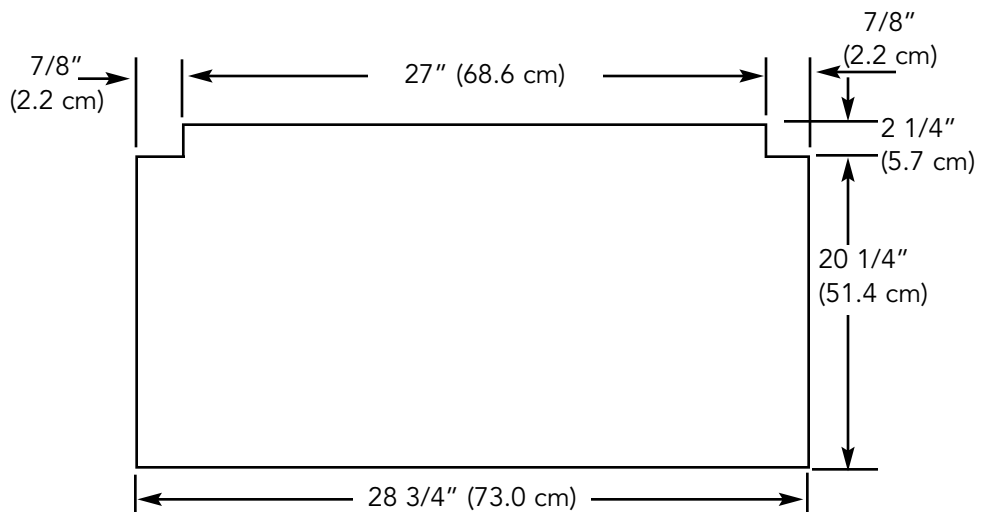
30" W. VECU TOP



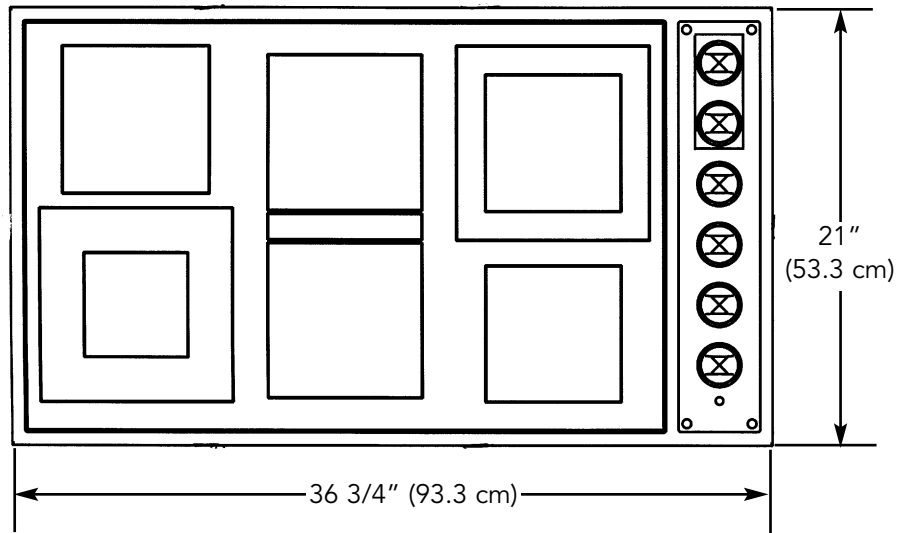
30" W. VECU BURNER BOX



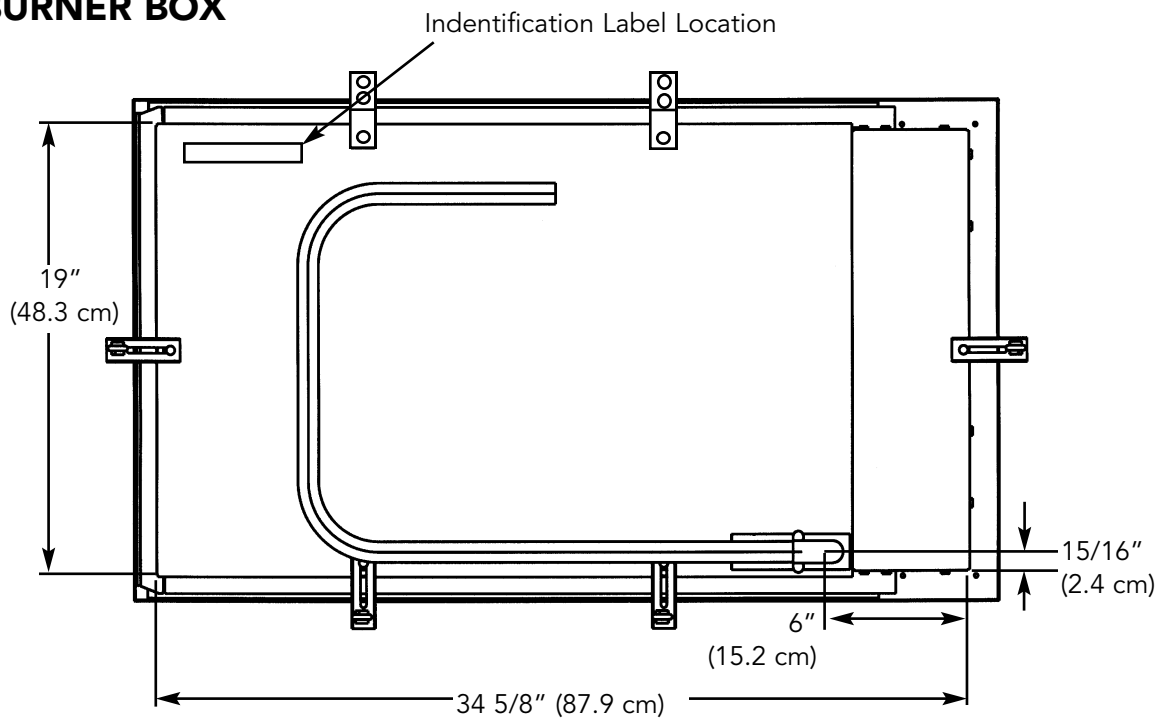
**30" W. VECU CUTOUT
w/VIPR101 DOWNDRAFT**



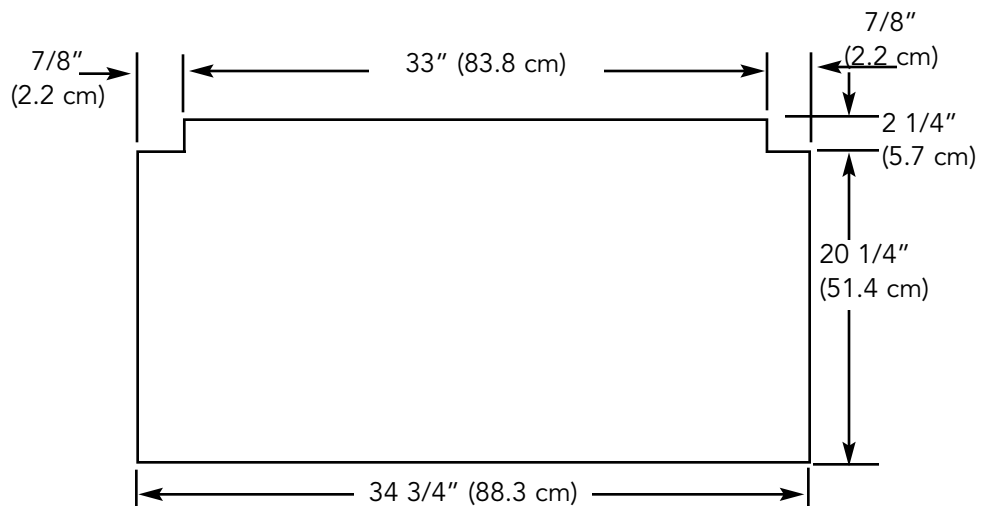
36" W. VECU TOP



36" W. VECU BURNER BOX



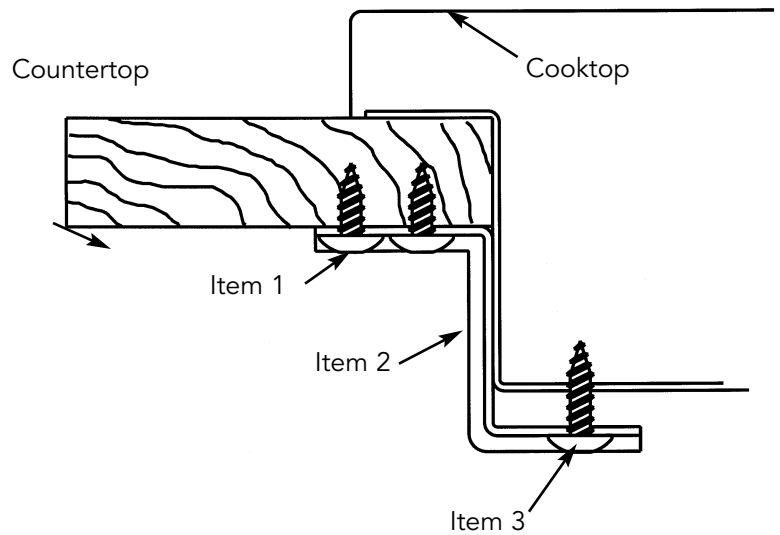
**36" W. VECU CUTOUT
w/VIPR161 DOWNDRAFT**



INSTALLATION OF HOLD DOWN BRACKET VECU Models

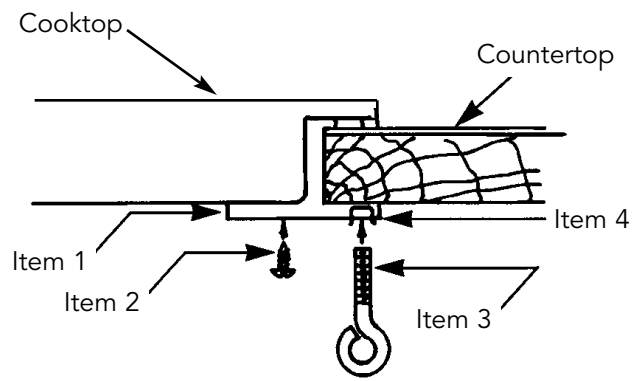
Front Brackets

After installing cooktop with two of the sheet metal screws (Item 1), locate the sheet metal screw hole in the rear of the burner box. Screw hold down brackets (Item 2) using the third sheet metal screw (Item 3) to the burner box.

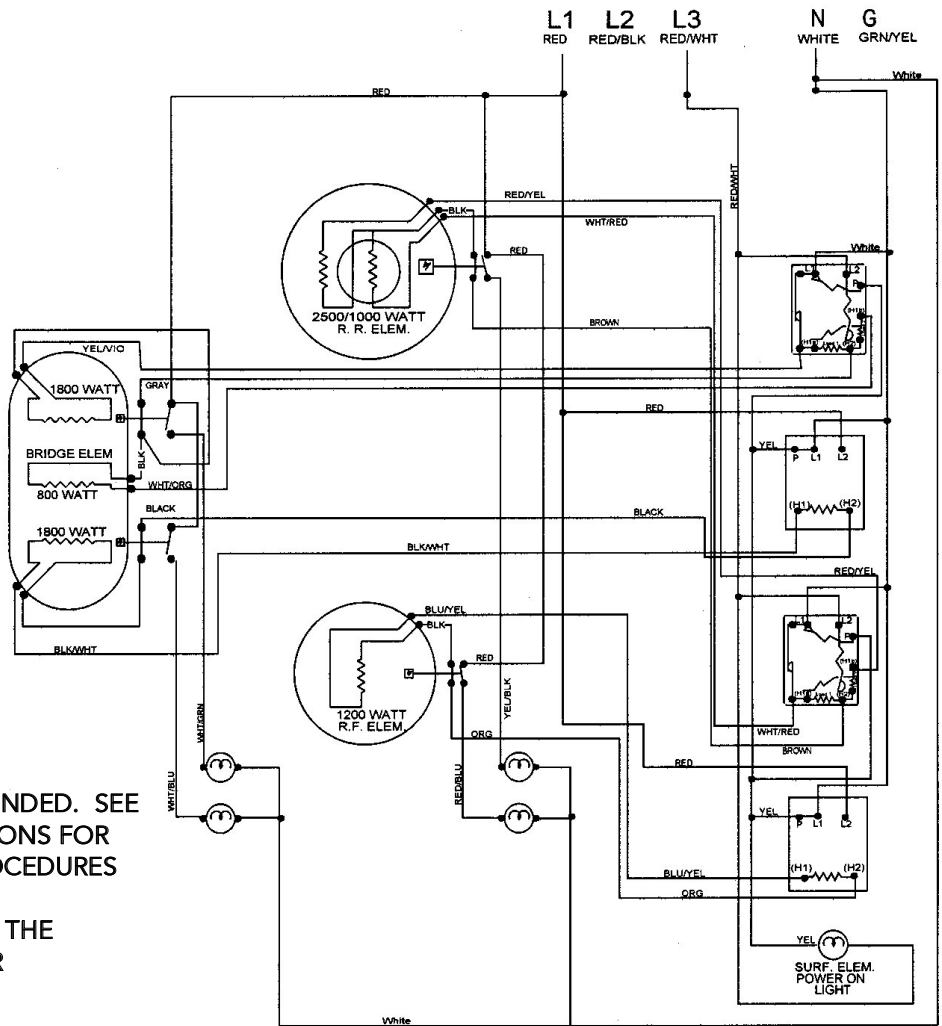


Rear and Side Brackets

1. After installation of cooktop, locate the two sheet metal screw holes on each end of the bottom of the burner box. Screw hold down bracket (Item 1) with sheet metal screw (Item 2) to the burner box.
2. Screw the eye bolt (Item 3) into the self-retaining nut (Item 3) and tighten firmly against bottom of countertop.



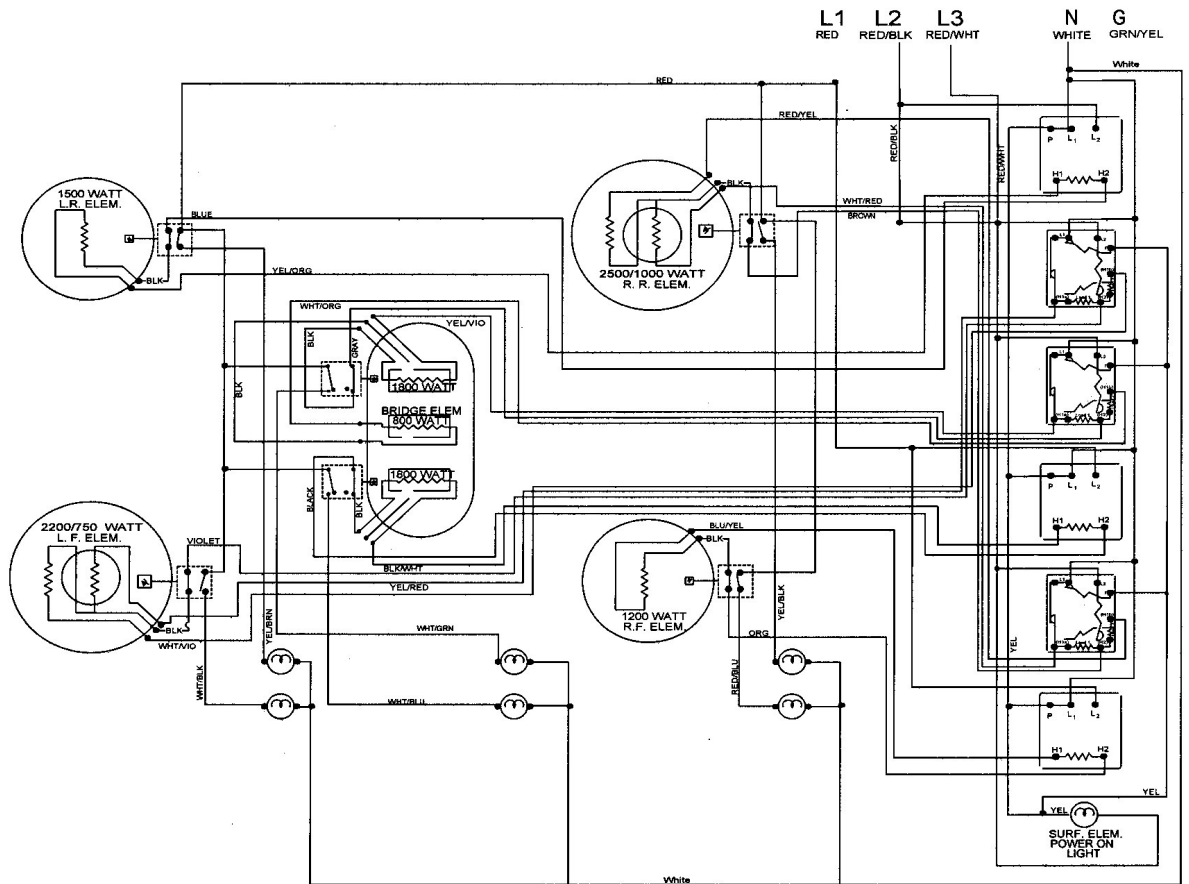
WIRING DIAGRAM 30" W. VECU ELECTRIC COOKTOP



WARNING- THIS UNIT MUST BE GROUNDING. SEE INSTALLATION INSTRUCTIONS FOR PROPER GROUNDING PROCEDURES

NOTE: TRAILERS OR STRIPES WILL BE THE SECOND COLOR IN A COLOR COMBINATION

WIRING DIAGRAM 36" W. VECU ELECTRIC COOKTOP

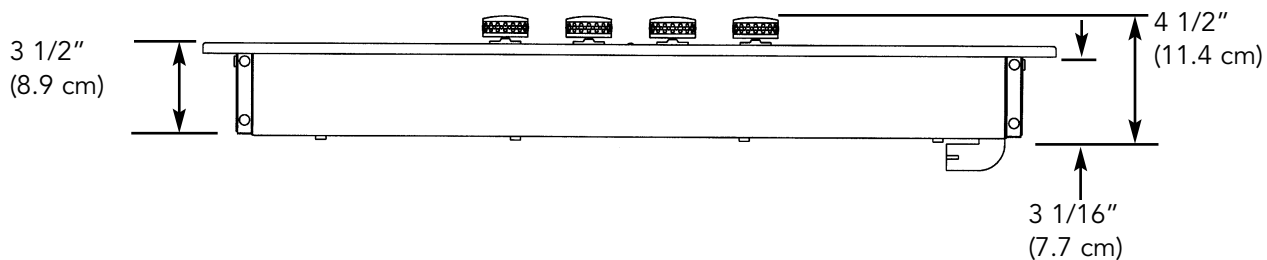


WARNING- THIS UNIT MUST BE GROUNDED. SEE INSTALLATION INSTRUCTIONS FOR PROPER GROUNDING PROCEDURES

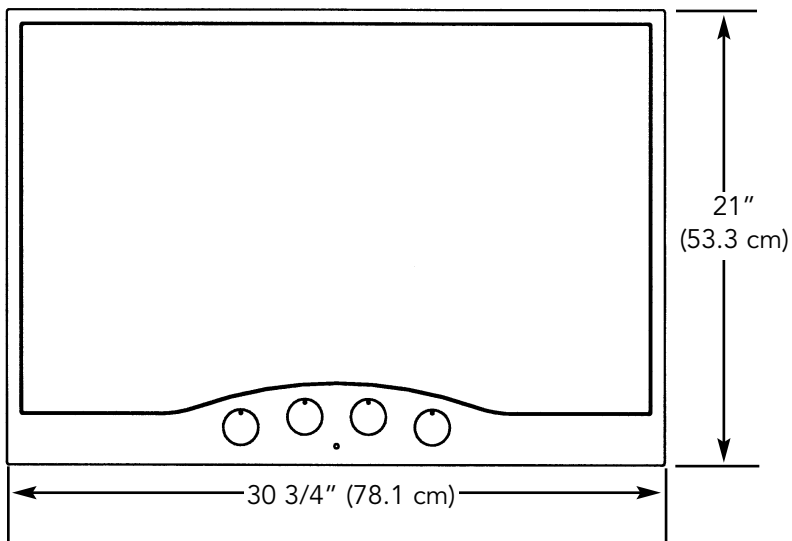
NOTE: TRAILERS OR STRIPES WILL BE THE SECOND COLOR IN A COLOR COMBINATION

DIMENSIONS

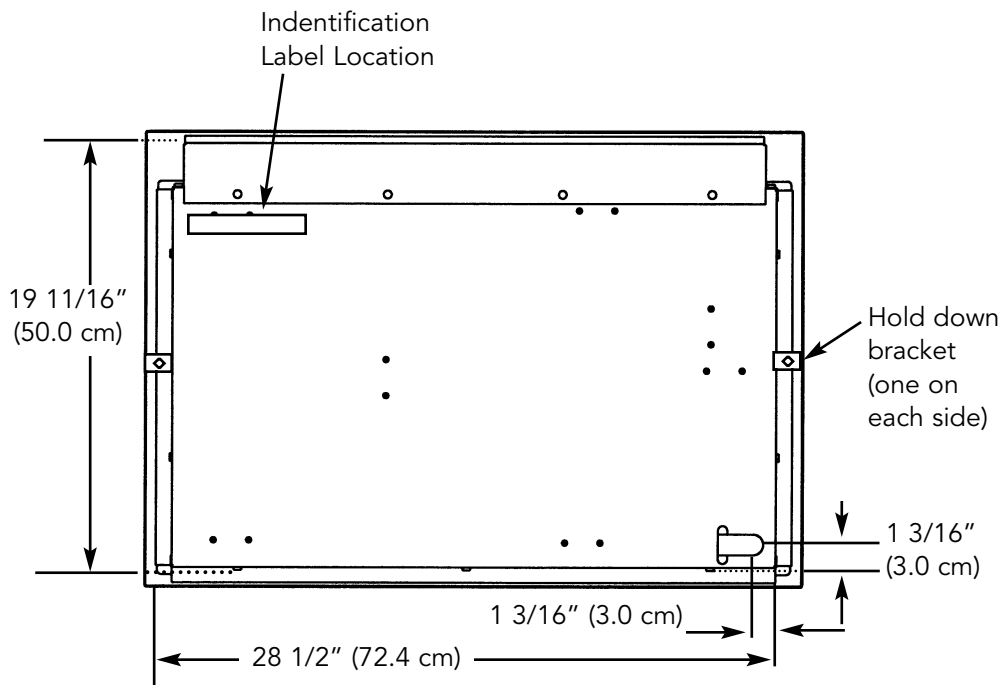
DECU HEIGHT



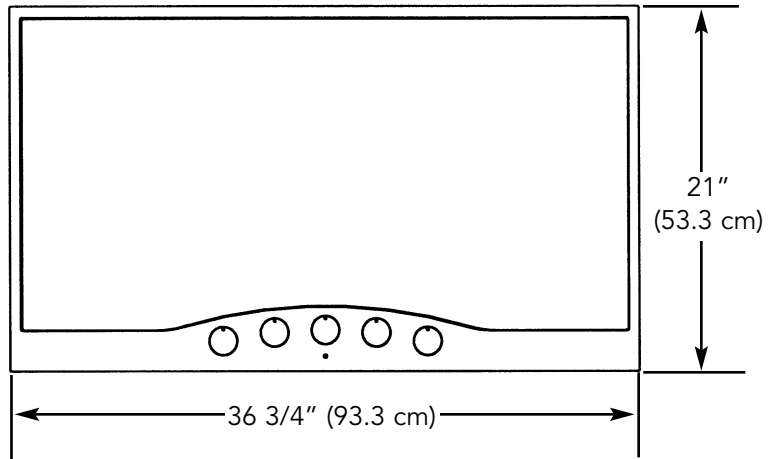
30" W. DECUC TOP



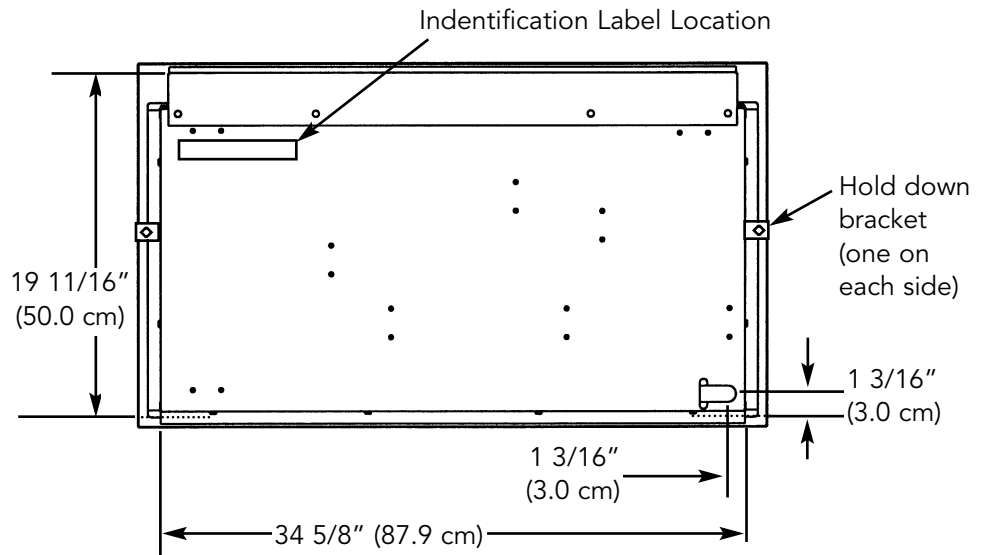
30" W. DECUC BURNER BOX



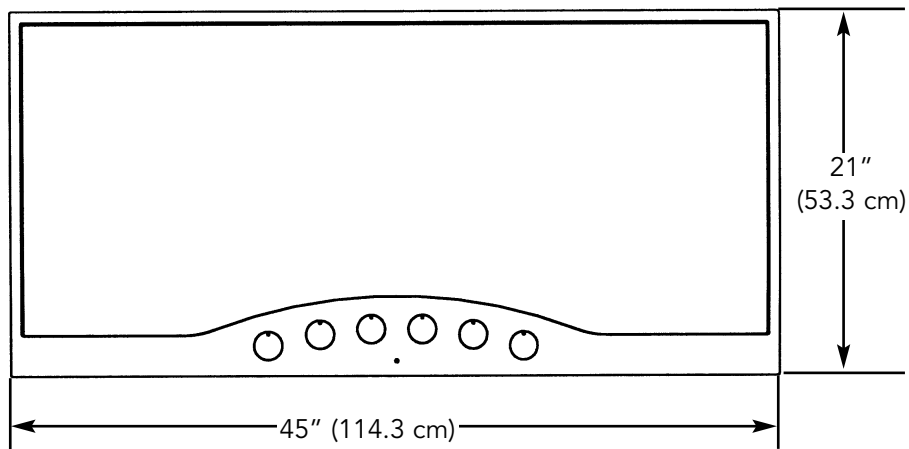
36" W. DECU TOP



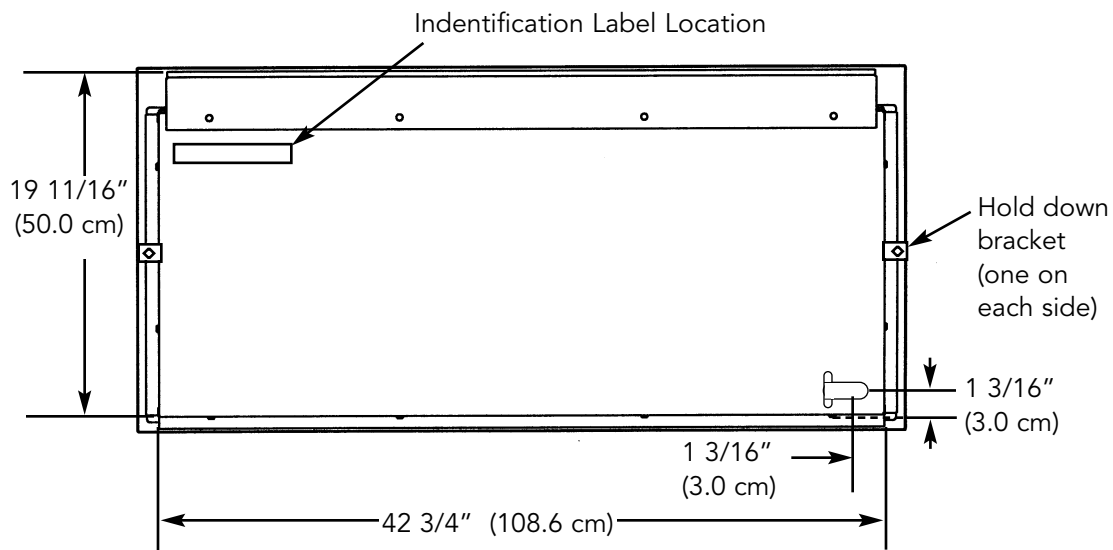
36" W. DECU BURNER BOX



45" W. DECU TOP



45" W. DECU BURNER BOX



INSTALLATION OF HOLD DOWN BRACKET - DECU MODELS

Two (2) hold brackets will be provided with your unit. After cooktop has been installed into the countertop, locate the bracket in the slots as needed (Figure 1). Place a bracket in the slots and lower until the bracket catches. (Figure 2). Use the bolt to tighten the cooktop to the countertop. (Figure 3)

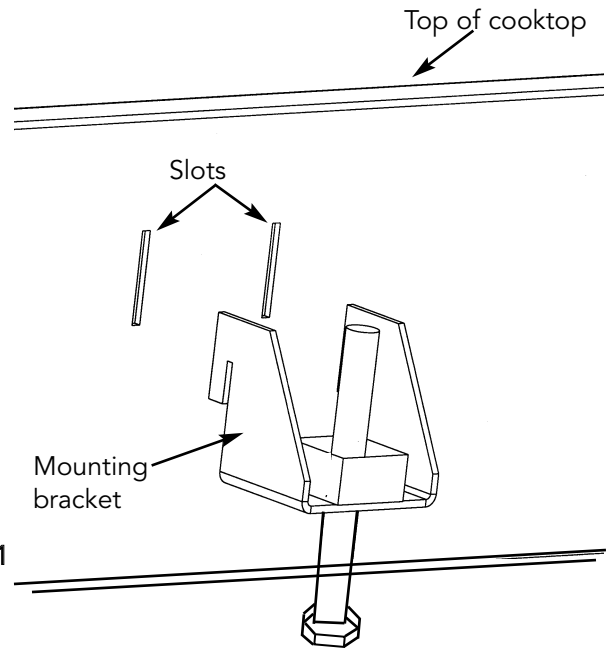


Figure 1

Figure 2

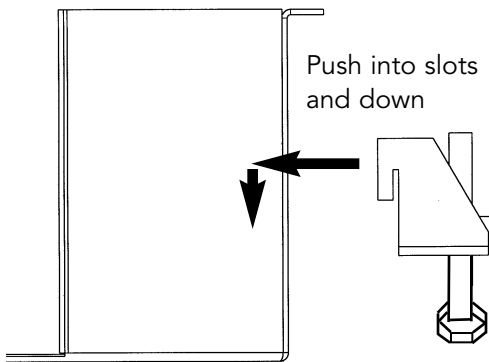
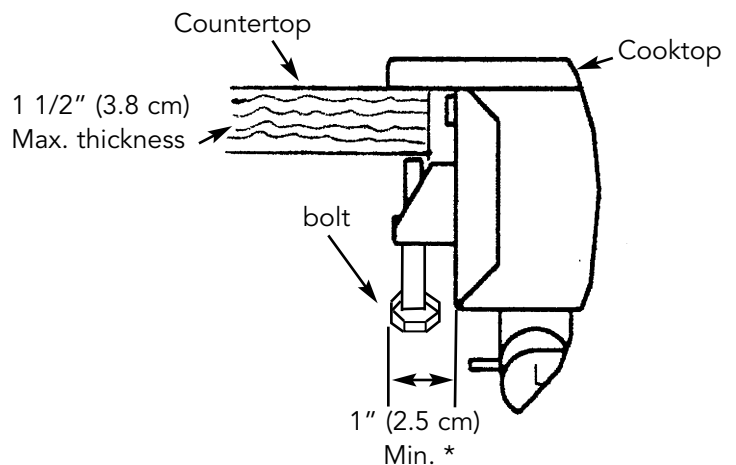
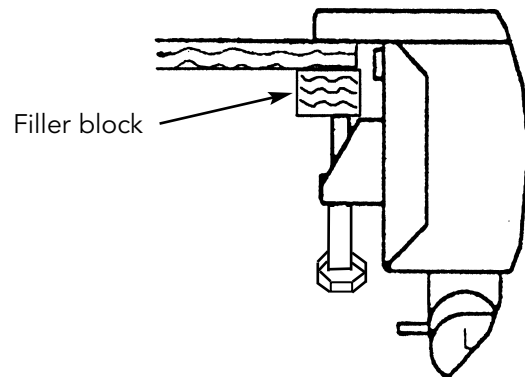


Figure 3

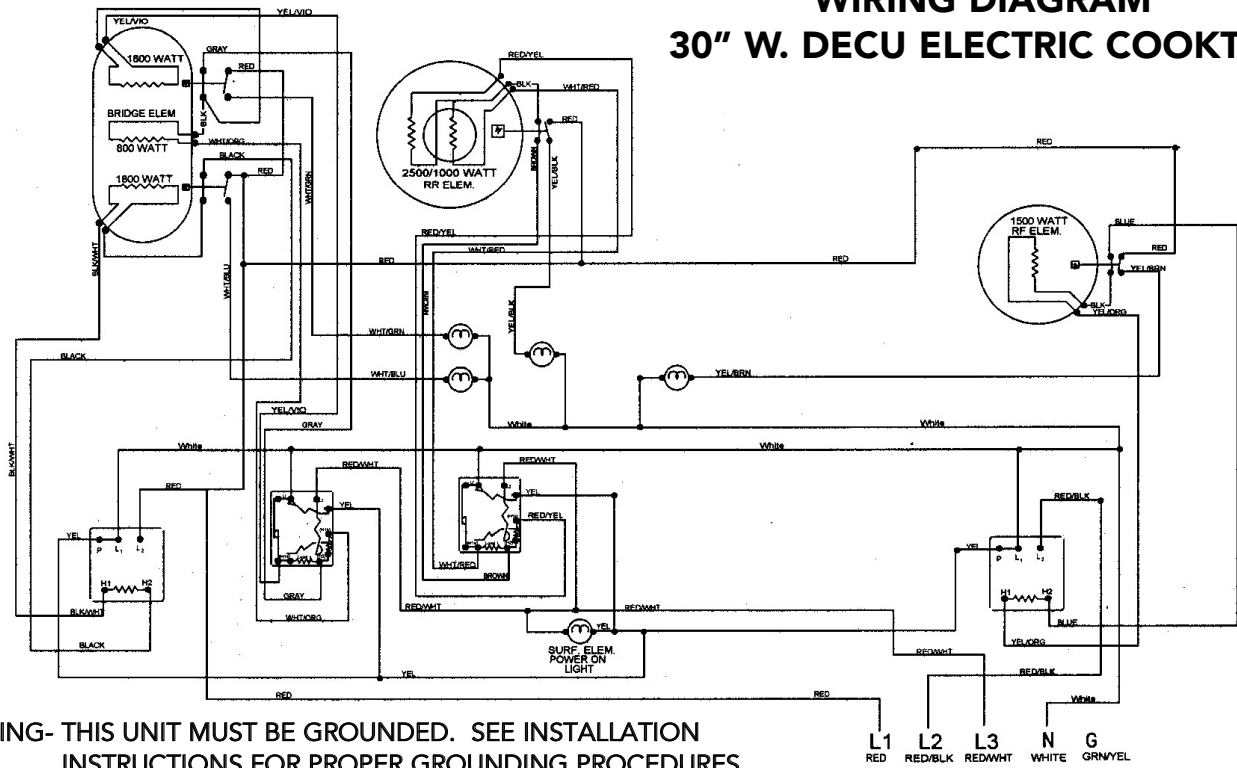


***There must be a 1" (2.5 cm) clearance under counter on the left and right side of the cooktop for pull down brackets to be attached. Do not install brackets on front and rear of cooktop**

NOTE: If countertop is less than 1 1/2" (3.8 cm) thick, a filler block will have to be used for bolt to push against. (See figure 4)



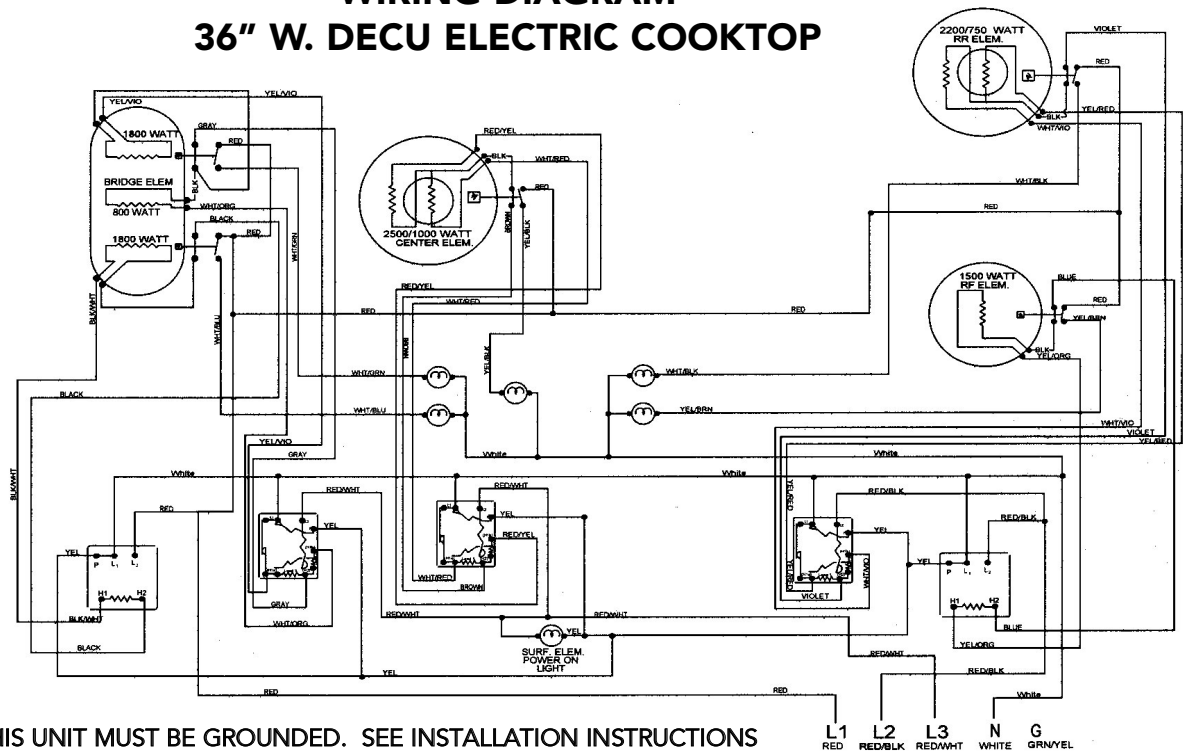
WIRING DIAGRAM 30" W. DECU ELECTRIC COOKTOP



WARNING- THIS UNIT MUST BE GROUNDLED. SEE INSTALLATION INSTRUCTIONS FOR PROPER GROUNDING PROCEDURES

NOTE: TRAILERS OR STRIPES WILL BE THE SECOND COLOR IN A COLOR COMBINATION

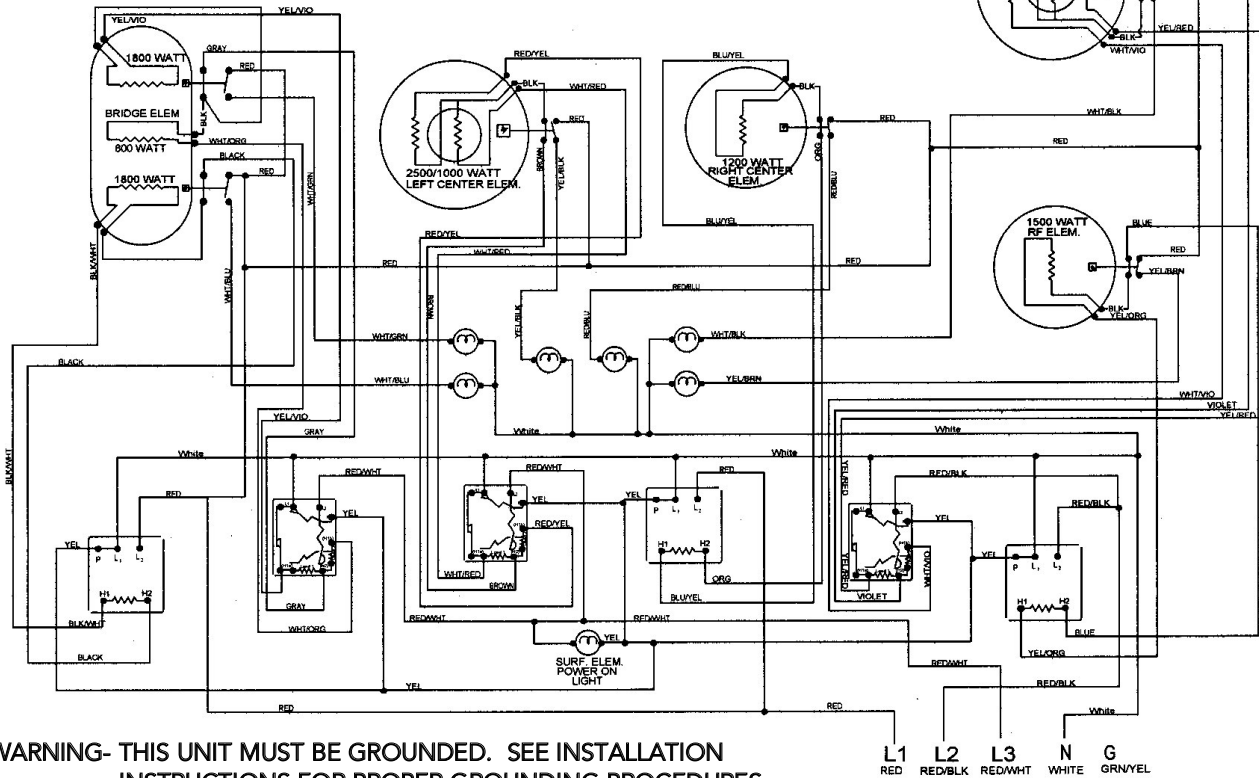
WIRING DIAGRAM 36" W. DECU ELECTRIC COOKTOP



WARNING- THIS UNIT MUST BE GROUNDLED. SEE INSTALLATION INSTRUCTIONS FOR PROPER GROUNDING PROCEDURES

NOTE: TRAILERS OR STRIPES WILL BE THE SECOND COLOR IN A COLOR COMBINATION

WIRING DIAGRAM 45" W. DECU ELECTRIC COOKTOP



WARNING- THIS UNIT MUST BE GROUNDED. SEE INSTALLATION INSTRUCTIONS FOR PROPER GROUNDING PROCEDURES
NOTE: TRAILERS OR STRIPES WILL BE THE SECOND COLOR IN A COLOR COMBINATION

PERFORMANCE CHECKLIST

A qualified installer should carry out the following checks:

1. Check top surface elements - glow red when turned on.
2. Check hot surface indicator lights - glow red when corresponding element is hot.

Any adjustments necessary that are a result of the installer not following instructions will be the responsibility of the installer, dealer or the end user of this product.

FINAL PREPARATION

1. Some stainless steel parts may have a plastic protective wrap which must be peeled off.
2. All stainless steel body parts should be wiped with hot, soapy water and with a liquid cleaner designed for this material. If buildup occurs, do not use steel wool, abrasive cloths, cleaners, or powders! If it is necessary to scrape stainless steel to remove encrusted materials, soak with hot, wet cloths to loosen the material, then use a wood or nylon scraper. Do not use a metal knife, spatula, or any other metal tool to scrape stainless steel! Scratches are almost impossible to remove.

REPLACEMENT PARTS

Only authorized replacement parts may be used in performing service on the cooktop. Do not repair or replace any part of the appliance unless specifically recommended in the manual. All other servicing should be referred to a qualified technician.

VIKING RANGE CORPORATION
 111 Front Street • Greenwood, Mississippi 38930 USA • (662) 455-1200
 Specifications subject to change without notice