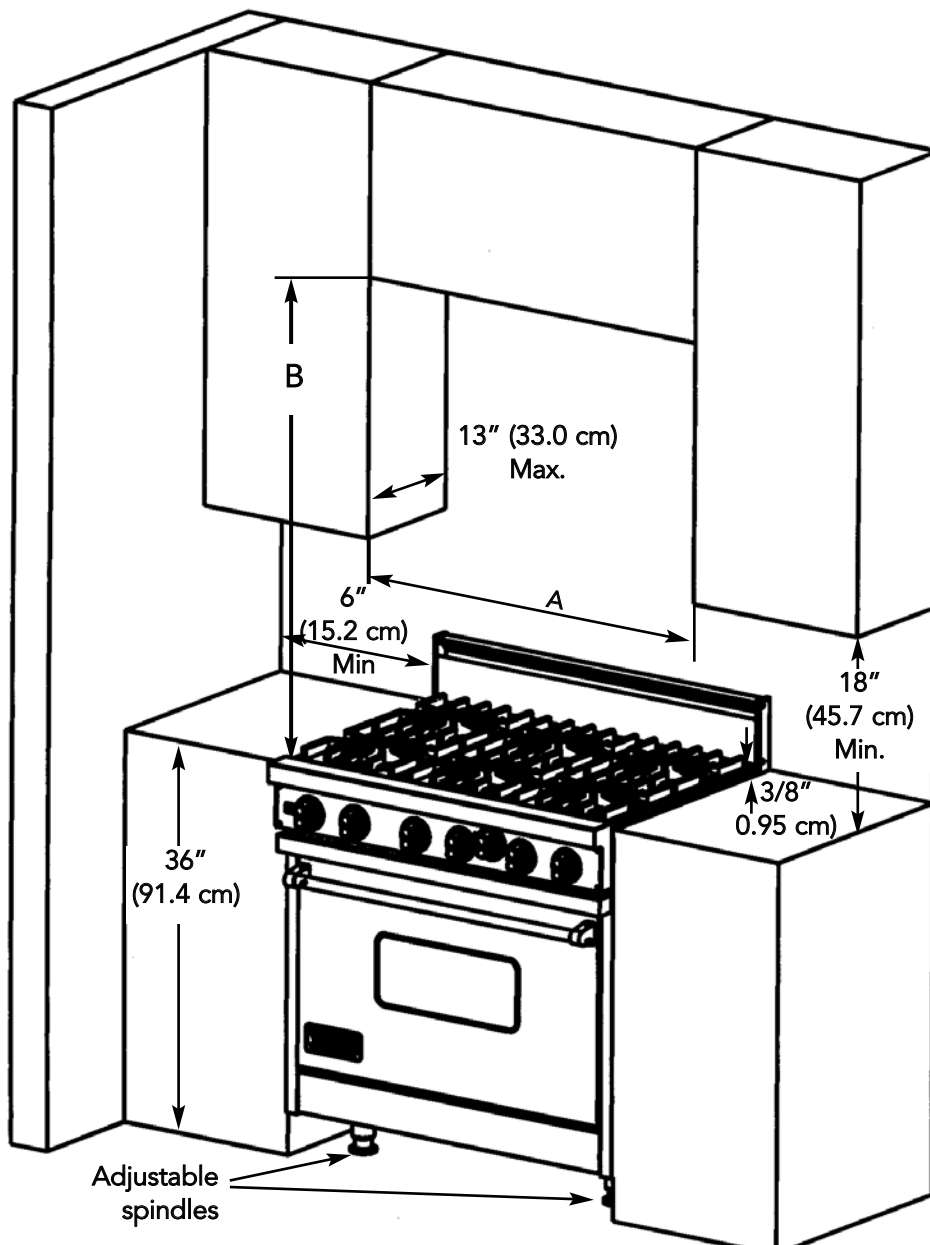


PROXIMITY TO SIDE CABINET INSTALLATION (30" W., 36" W., 48" W., 60" W. MODELS)

1. This range may be installed directly adjacent to existing 36" (91.4 cm) high base cabinets. **IMPORTANT:** The top grate support **MUST** be 3/8" (.95 cm) above the adjacent base cabinet countertop. This may be accomplished by raising the unit using the adjustment spindles on the legs.
2. The range **CANNOT** be installed directly adjacent to sidewalls, tall cabinets, tall appliances, or other side vertical surfaces above 36" (91.4 cm) high. There must be a minimum of 6" (15.2 cm) side clearance from the range to such combustible surfaces above the 36" (91.4 cm) counter height.
3. Within the 6" (15.2 cm) side clearance to combustible vertical surfaces above 36" (91.4 cm), the maximum wall cabinet depth must be 13" (33.0 cm) and wall cabinets within this 6" (15.2 cm) side clearance must be 18" (45.7 cm) above the 36" (91.4 cm) high countertop.
4. Wall cabinets above the range must be a minimum of 36" (91.4 cm) for open top burners and a minimum of 42" (106.7 cm) for sealed burner models above the range cooking surface for the full width of the range. This minimum height requirement does not apply if a rangehood is installed over the cooking surface.

	Dim. A
30" W. Models	29 7/8" (75.9 cm)
36" W. Models	35 7/8" (91.1 cm)
48" W. Models	47 7/8" (121.6 cm)
60" W. Models	59 1/2" (151.1 cm)

	Dim. B (minimum)
Open Top Burners	36" (91.4 cm)
Sealed Burners	42" (106.7 cm)



BASIC SPECIFICATIONS

Description	30" W. Models	36" W. Models
Overall width	29 7/8" (75.9 cm)	35 7/8" (91.1 cm)
Overall height	<u>24" Deep Models Base Height</u> <u>27" Deep Models Base Height</u> To top of grate support - Min. 35 7/8" (91.1 cm) to Min. 36 1/8" (91.8 cm) Max. 37 5/8" (95.6 cm) Max 39 1/8" (99.4 cm) Legs adjust 1 3/4" (4.5 cm) Legs adjust 3" (7.6 cm)	
Overall depth from rear	<u>Additions to Base Height</u>	
	To top of spider grate -	add 1 1/8" (2.9 cm)
	To top of island trim -	add 1 1/4" (3.2 cm)
	To top of 6" backguard -	add 6" (15.2 cm)
	To top of 10" backguard -	add 10" (25.4 cm)
Overall depth from rear	To top of high shelf -	add 23 1/2" (59.7 cm)
	<u>24" Deep Models</u> <u>27" Deep Models</u>	
	To end of side panel -	24 5/16" (61.8 cm) 27" (68.6 cm)
	To end of control panel -	26 1/4" (66.7 cm) 28 3/4" (73.0 cm)
To end of knobs -	27 3/4" (70.5 cm) 30 3/8" (77.2 cm)	
Electrical requirements	120 VAC/60 Hz; 4 ft. (121.9 cm), 3-prong plug attached to the unit.	
Gas requirements	Shipped natural gas standard; convert to LP/Propane with standard convertible regulator; accepts standard residential 1/2" ID gas service line	
Maximum amp usage/	8.2 amps	6B - 8.5 amps 4G - 11.8 amps 4Q - 8.5 amps
Surface burner rating	15,000 BTU Nat./13,500 BTU LP (4.4 kW/4.0 kW)	
Griddle burner rating	N/A	15,000 BTU Nat./12,500 BTU LP (4.4 kW /3.7 kW)
Grill burner rating	N/A	18,000 BTU Nat./16,000 BTU LP 5.3 kW (gross) / 4.7 kW (net)
Broil rating	18,000 BTU Nat./16,000 BTU LP (5.3 kW/4.7 kW)	
Bake rating	Two 15,000 BTU ea. Nat./LP (Two 4.4 kW ea.)	
Oven Interior width	24" (61.0 cm)	30 1/8" (76.5 cm)
Oven Interior height	16 1/8" (41.0 cm)	24" D. Model- 16 1/8" (41.0 cm) 27" D. Model- 14 1/8" (35.9 cm)
Oven Interior depth	17 5/8" (44.8 cm)	24" D. Model- 17 5/8" (44.8 cm) 27" D. Model- 19 1/4" (48.9 cm)
Oven Interior overall size	4.0 cu. ft.	24" D. - 5.0 cu. ft. 27" D. - 4.7 cu. ft.
Approximate Shipping wt.	395 lbs. (173.3 kg)	6B - 447 lb. (201.2 kg) 4Q - 457 lb. (205.7 kg) 4G - 452 lb. (203.4 kg)

Minimum clearances from adjacent combustible construction

- Cooking surface and below (36" [91.4 cm] and below)
 - Sides - 0"
 - Rear - 0" with backguard or high shelf; 0" with island trim and non-combustible rear wall; 6" (15.2 cm) with island trim and combustible rear wall.
 - Top grate support - 36" (91.4 cm)
- Above cooking surface (above 36" [91.4 cm])
 - Sides - 6" (15.2 cm)
 - Within 6" (15.2 cm) side clearance, wall cabinets no deeper than 13" (33.0 cm) must be minimum 18" (45.7 cm) above cooking surface.
 - Wall cabinets directly above product must be minimum 36" (91.4 cm) for open top burners and 42" (106.7 cm) for sealed burners above cooking surface
- Use range only with factory supplied legs.

BASIC SPECIFICATIONS

Description	48" W. Models	60" W. Models
Overall width	47 7/8" (121.6 cm)	59 1/2" (151.1 cm)
Overall height	<u>24" Deep Models Base Height</u> To top of grate support - Min. 35 7/8" (91.1 cm) to Max. 37 5/8" (95.6 cm) Legs adjust 1 3/4" (4.5 cm) <u>Additions to Base Height</u> To top of spider grate - add 1 1/8" (2.9 cm) To top of island trim - add 1 1/4" (3.2 cm) To top of 6" backguard - add 6" (15.2 cm) To top of 10" backguard - add 10" (25.4 cm) To top of high shelf - add 23 1/2" (59.7 cm)	<u>27" Deep Models Base Height</u> Min. 36 1/8" (91.8 cm) Max 39 1/8" (99.4 cm) Legs adjust 3" (7.6 cm)
Overall depth from rear	<u>24" Deep Models</u> To end of side panel - 24 5/16" (61.8 cm) To end of control panel - 26 1/4" (66.7 cm) To end of knobs - 27 3/4" (70.5 cm)	<u>27" Deep Models</u> 27" (68.6 cm) 28 3/4" (73.0 cm) 30 3/8" (77.2 cm)
Electrical requirements	120 VAC/60 Hz; 4 ft. (121.9 cm), 3-prong plug attached to unit	
Gas requirements	Shipped natural gas standard; field convert to LP/Propane with standard convertible regulator	
Maximum amp usage/	6G - 16.0 amps 4Q - 12.4 amps 6Q - 12.4 amps 4G - 19.6 amps 4GQ - 16.0 amps	6G - 23.6 amps 6GQ - 20.0 amps
Surface burner rating	15,000 BTU Nat./13,500 BTU LP (4.4 kW/4.0 kW)	
Griddle burner rating	<u>12" / 18" Wide</u> 15,000 BTU Nat./12,500 BTU LP (4.4 kW/3.7 kW)	<u>24" Wide</u> Two 15,000 BTU ea. Nat./12,500 BTU ea. LP (Two 4.4 kW ea./3.7 kW ea.)
Grill burner rating	18,000 BTU Nat./16,000 BTU LP (5.3 kW/4.7 kW)	
Broil rating	18,000 BTU Nat./16,000 BTU LP (5.3 kW/4.7 kW)	
Bake rating	Right - Two 15,000 BTU ea. Nat./LP (Two 4.4 kW ea.) Left - One 15,000 BTU ea. Nat./LP (One 4.4 kW ea.)	Two 15,000 BTU ea. Nat./LP (Two 4.4 kW ea.) Two 15,000 BTU ea. Nat./LP (Two 4.4 kW ea.)
Oven Interior width	Right - 24 1/8" (61.3 cm) Left - 13 3/8" (34.0 cm)	Both - 24 1/8" (61.3 cm)
Oven Interior height	<u>24" D. Models</u> Both - 16 1/8" (41.0 cm) <u>27" D. Models</u> Both - 14 1/8" (35.9 cm)	<u>27" D. Models</u> Both - 14 1/8" (35.9 cm)
Oven Interior depth	<u>24" D. Models</u> Right - 17 5/8" (44.8 cm) Left - 18 3/4" (47.6 cm) <u>27" D. Models</u> Right - 19 1/4" (48.9 cm) Left - 21 1/4" (54.0 cm)	<u>27" D. Models</u> Both - 19 1/4" (48.9 cm)
Oven Interior overall size	<u>24" D. Models</u> Right - 4.0 cu. ft. Left - 2.3 cu. ft. <u>27" D. Models</u> Right - 3.8 cu. ft. Left - 2.3 cu. ft.	<u>27" D. Models</u> Both - 3.8 cu. ft.
Approximate Shipping wt.	6G - 591 lb. (266.0 kg) 4Q - 586 lb. (263.7 kg) 6Q - 586 lb. (263.7 kg) 4G - 596 lb. (268.5 kg) 4GQ - 596 lb. (268.5 kg)	6G - 762 lb. (342.9 kg) 6GQ - 757 lb. (340.7 kg)

(For Minimum clearances from adjacent combustible construction refer to bottom of page 11)