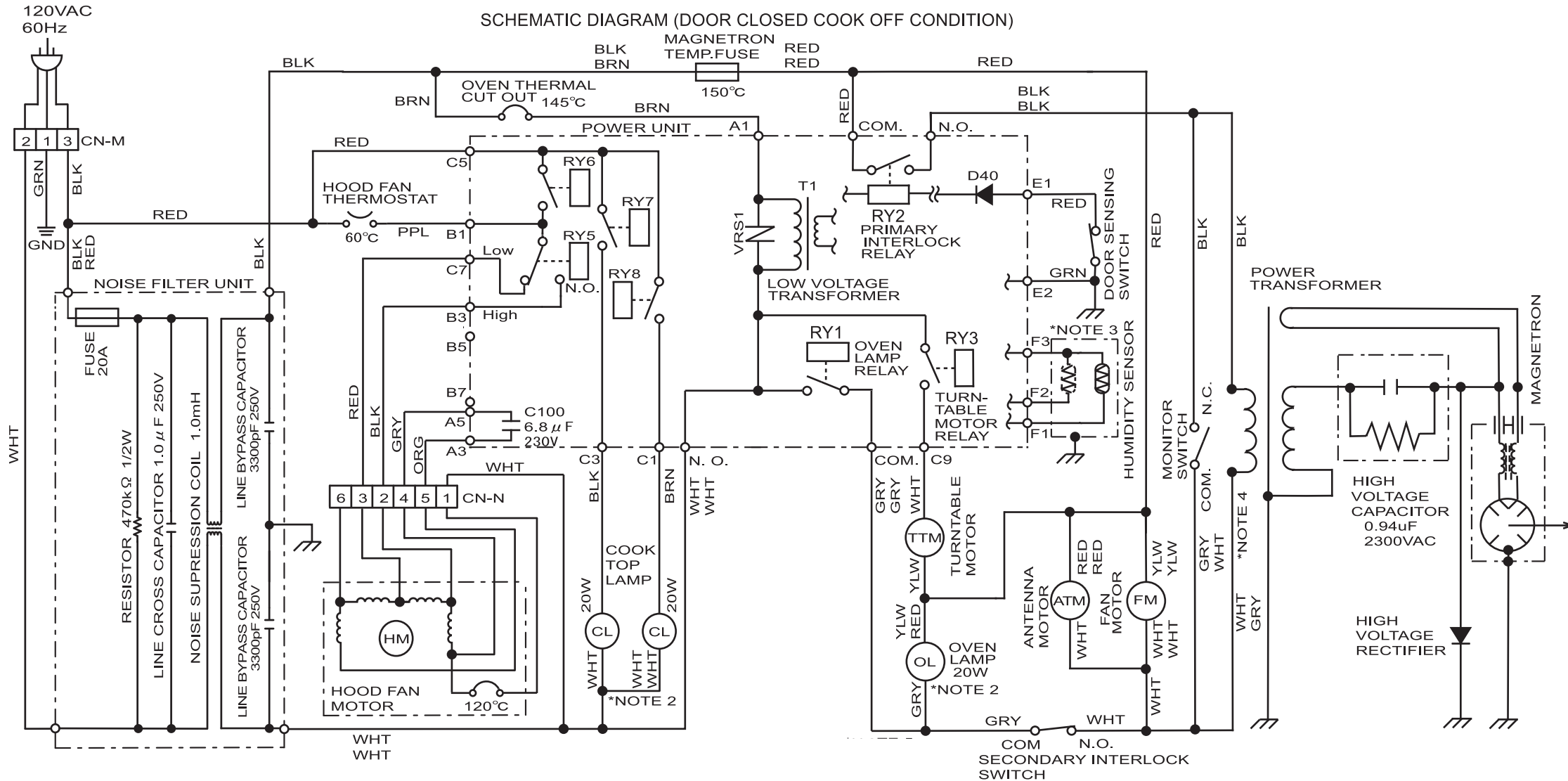


MODEL: FPMV189KF/FGMV185KF/FGMV185KW/FGMV185KB



NOTES:

1. Circuits subject to change without notice
2. The neutral wire(White or Gray wire) must be connected to the prescribed tab terminal of the lamp socket.
3. Only certain models use the humidity sensor.
4. The neutral wire(White/Gray wire) must be connected to the winding end tab terminal of the power transformer primary winding.

LEAD WIRE COLOR CODE

BLK : BLACK	GRY : GRAY	GRN : GREEN
BRN : BROWN	WHT : WHITE	
ORG : ORANGE	BLU : BLUE	
PNK : PINK		
PPL : PURPLE		
RED : RED		
YLW : YELLOW		

P/N 316495067
TMAPCA791WRRZ