

# 300 Series Oven HBN3350UC

## Oven Spec Sheet



HBN3350UC Single Oven

### Features & Benefits

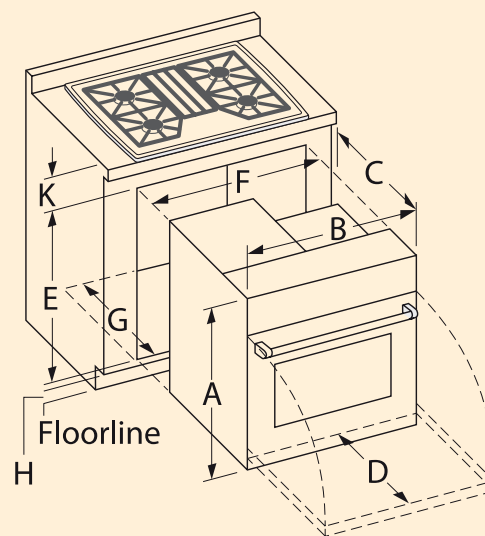
- 4.2 cu.ft. Oven Cavity - Largest in the Industry
- Knob Control Combined with Touch Control on Glass
- Safe and Efficient Two-hour Self-clean Cycle
- Concealed Bake Element and Recessed Broil Element

|                 |                    |
|-----------------|--------------------|
| <b>Type</b>     | <b>Single Oven</b> |
| Width           | 27"                |
| Color Options   | <b>HBN3350UC</b>   |
| Stainless Steel |                    |

### Main Oven Features

|   |                                |
|---|--------------------------------|
| Oven Cavity Size                        | 4.2 cu.ft.*                    |
| Oven Control                            | Knobs with Glass Touch Control |
| Display                                 | Amber                          |
| Heating Modes                           | 5                              |
| Bake                                    | •                              |
| Broil                                   | •                              |
| Warm                                    | •                              |
| Self-Clean Mode                         | 2-Hour Cycle                   |
| Standard Racks                          | 2                              |
| Porcelain Broiler Pan                   | •                              |
| Cavity Lighting                         | 1                              |
| Concealed Bake Element                  | •                              |
| Recessed Broil Element                  | •                              |
| Dual-Rated, 120/208-240V, 4 Wire, 60 Hz | •                              |
| Amps                                    | 30                             |

| 30" single oven        | Overall Dimensions       |
|------------------------|--------------------------|
| A                      | 29 1/16"                 |
| B                      | 26 3/4"                  |
| C                      | 23 7/8"                  |
| D                      | 22"                      |
| Door Handle Projection | 3"                       |
|                        | <b>Cutout Dimensions</b> |
| E                      | 28 1/4"                  |
| F                      | 25 1/2"                  |
| G                      | 24"                      |
| H                      | 4 3/4" min.              |
| K                      | 3"                       |



Oven is UL approved. Notes: All height, width and depth dimensions are shown in inches. Please refer to installation instructions prior to making cutout. BSH reserves the absolute and unrestricted right to change product materials and specifications, at any time, without notice. Consult the product's installation instructions for final dimensional data and other details. Applicable product warranty can be found in accompanying product literature or you may contact your account manager for further details. \*According to AHAM standards.

For more information on our entire line of products, go to [boschappliances.com](http://boschappliances.com) or call 1.800.944.2904.

Copyright ©2007 BSH Home Appliances Corporation. All rights reserved. Bosch is a registered trademark of Robert Bosch GmbH.