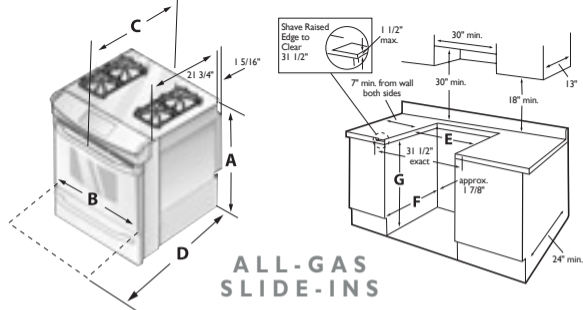


**DUAL-FUEL
SLIDE-INS**



**ALL-GAS
SLIDE-INS**

DIMENSIONS

Models	Exterior Dimensions				Cut-Out Dimensions			
	A-Height	B-Width	C-Depth to Notch on Back of Console	C-Depth to Extreme Protrusion	D-Depth with Door 90° Open	E-Minimum Width	F-Depth	G-Height
Dual-Fuel Slide-In Ranges	35-5/8" Minimum 36-3/8" Maximum	30"	24-3/4"	28"	45-1/4"	30"	21-3/4" Minimum 22-1/8" Maximum	35-5/8" Minimum 36-5/8" Maximum
All-Gas Slide-In Ranges	35-5/8" Minimum 36-3/8" Maximum	30"	24-3/4"	28"	45-1/4"	30"	21-3/4" Minimum 22-1/8" Maximum	35-5/8" Minimum 36-5/8" Maximum

Specifications subject to change.