

Frigidaire

Factory Parts Catalog

Product No.	GLEB30M9FBA	GLEB30M9FQA	GLEB30M9FSA
	39256361G6061	39256361G6041	39256361G6011
Series	30" elec	30" elec	30" elec
Color	black	bisque	white
Market	North America	North America	North America
Wiring Diagram	318046238	318046238	318046238
Owner's Guide	318200941	318200941	318200941
Installation Instructions	318201521	318201521	318201521
Service Data Sheet	318047418	318047418	318047418

 **Electrolux**

Electrolux Major Appliances
North & Latin America
P.O. BOX 212378
AUGUSTA, GA 30917

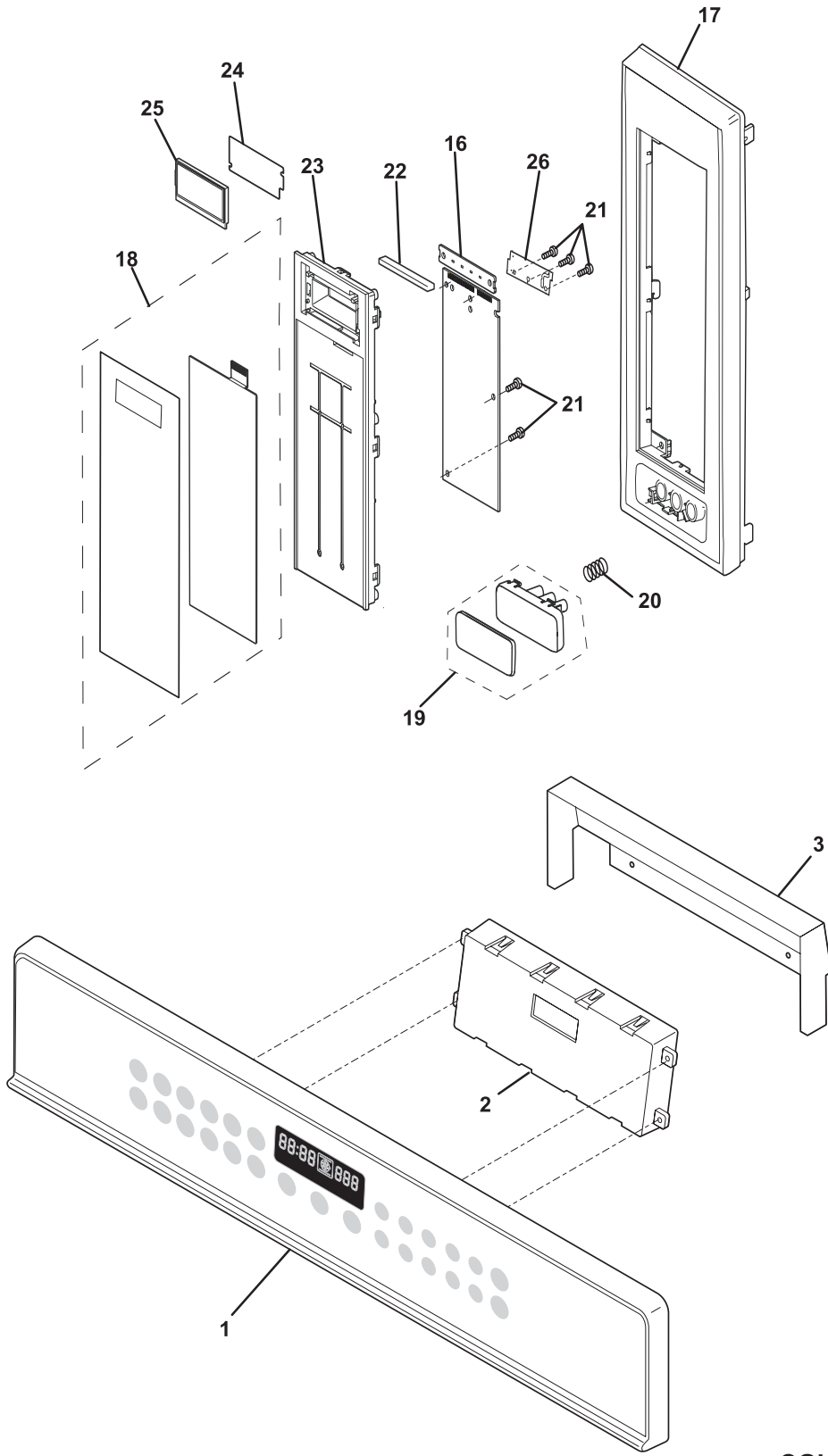
Publication No.
5995470878
06/07/26
(EN/SERVICE/BJH)
377

**WALL OVEN/
MICROWAVE COMBO**

**Model No.
GLEB30M9F**

Copyright © 2006 Electrolux Home Products, Inc.
All rights reserved.

CONTROL PANEL



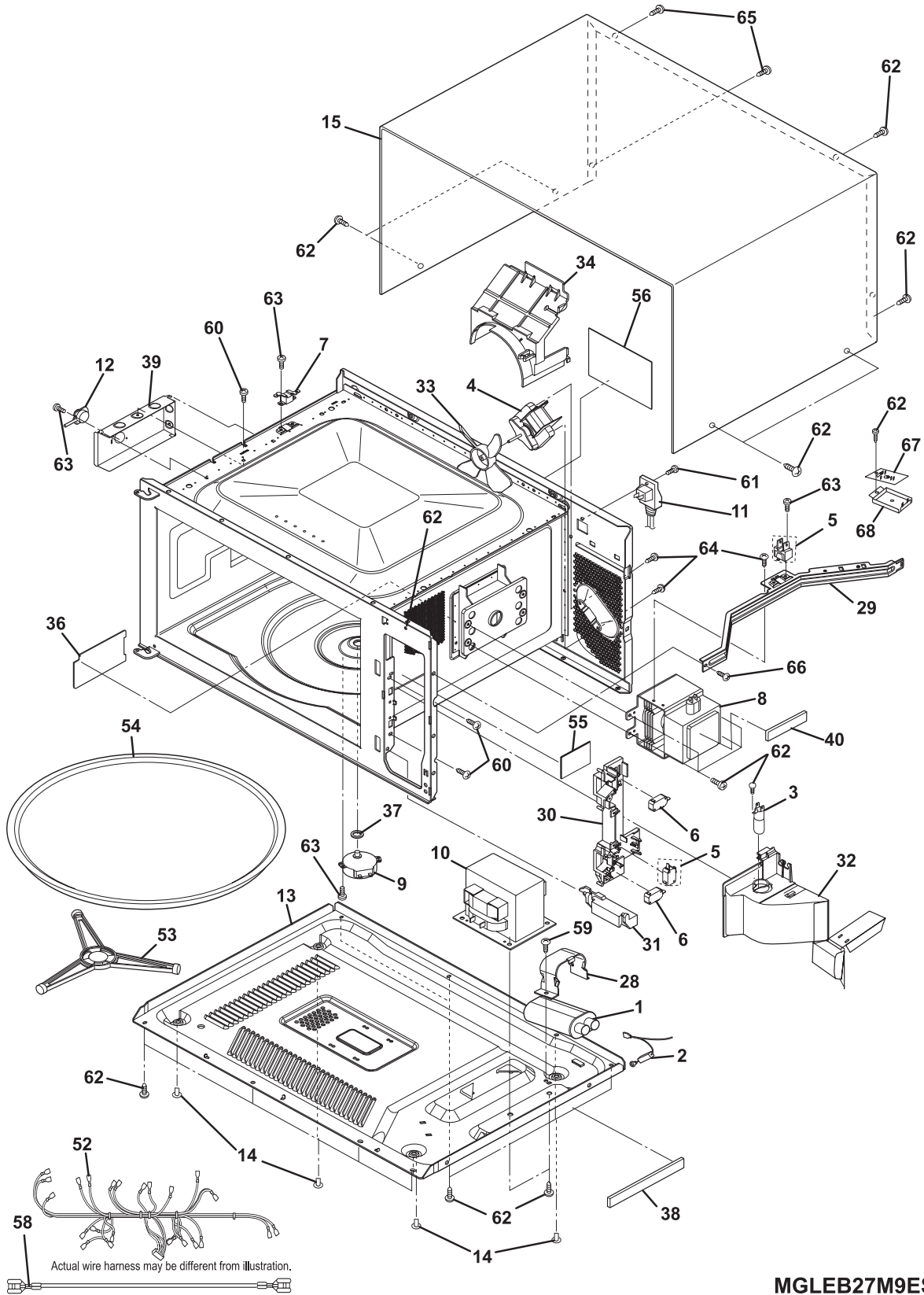
CGLEB27M9ESA

CONTROL PANEL

Model Index: A GLEB30M9F (GLEB30M9FBA)
 B GLEB30M9F (GLEB30M9FQA)
 C GLEB30M9F (GLEB30M9FSA)

POS. NO	PART NO.		DESCRIPTION
1	318331310	A - -	Control Panel Assembly, glass, black, w/touch pad
1	318331312	- B -	Control Panel Assembly, glass, bisque, w/touch pad
1	318331311	- - C	Control Panel Assembly, glass, white, w/touch pad
2 #	316418720	A B C	Clock/Timer, electronic, ES510W1
3	318295703	A B C	Deflector, timer
16 #	5304440820	A B C	Control Board, printed circuit
17	5304440821	A - -	Frame, control panel, black
17	5304440823	- B -	Frame, control panel, bisque
17	5304442127	- - C	Frame, control panel, white
18 #	5304440824	A - -	Switch Assy, touch control, black
18 #	5304440826	- B -	Switch Assy, touch control, bisque
18 #	5304452254	- - C	Switch Assy, touch control, white, w/touch pad
19	5304440827	A - -	Push Button, door opener, black
19	5304440829	- B -	Push Button, door opener, bisque
19	5304442133	- - C	Push Button, door opener, white
20	5304442134	A B C	Spring, button
21	5304440282	A B C	Screw, control board, 3mm x 10mm
22	5304440832	A B C	Connector, rubber, control board
23	5304440833	A B C	Panel, touch pad mount
24 #	5304440834	A B C	LED Sheet, backlight
25 #	5304440835	A B C	LCD, display
26	5304440836	A B C	Bracket, PCB support
*	5303211311	A B C	Screw, 8 x 0.500

UPPER OVEN



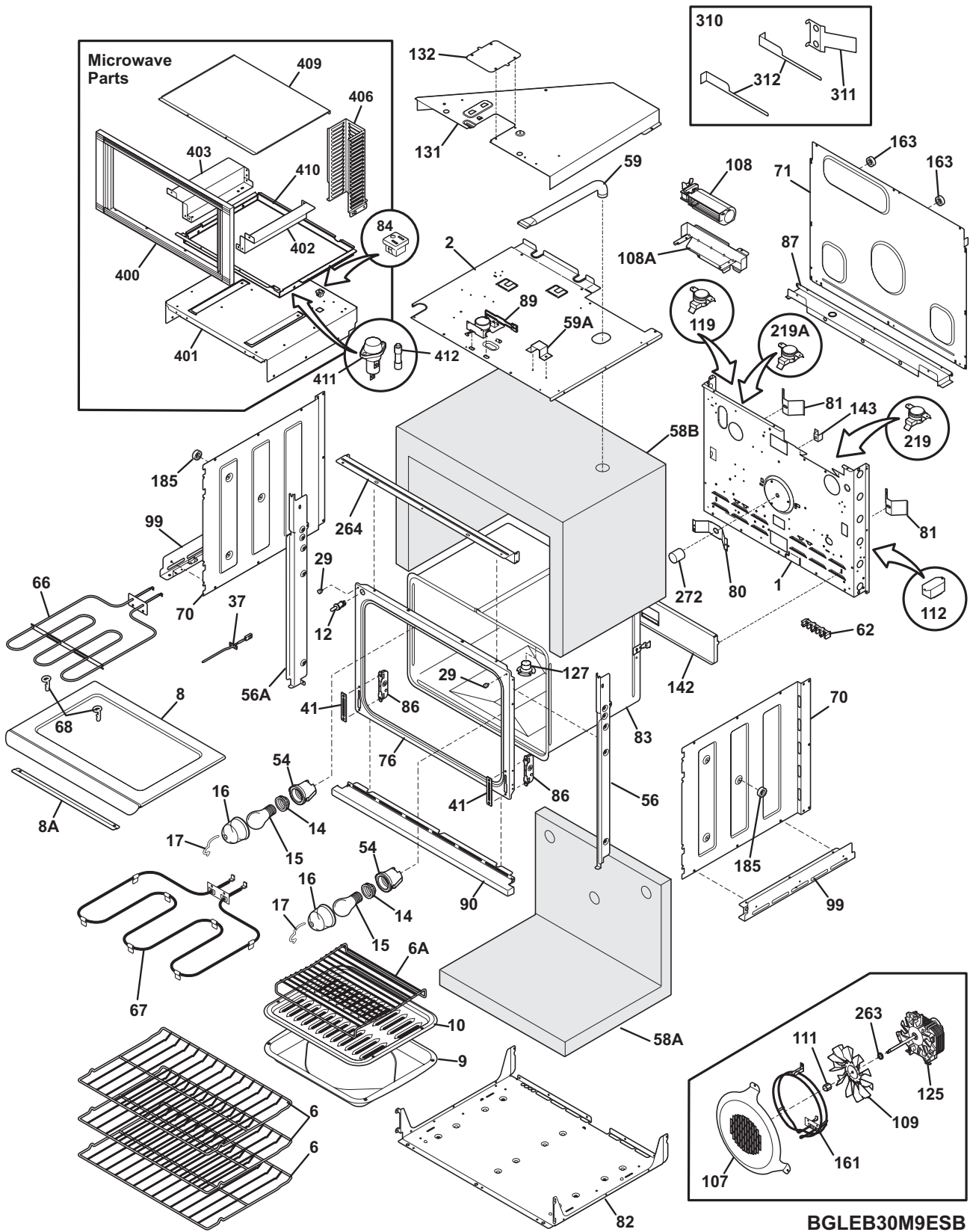
MGLEB27M9ESA

UPPER OVEN

Model Index: A GLEB30M9F (GLEB30M9FBA)
 B GLEB30M9F (GLEB30M9FQA)
 C GLEB30M9F (GLEB30M9FSA)

POS. NO	PART NO.		DESCRIPTION
1 #	5304440777	A B C	Capacitor, high voltage
2 #	5304440778	A B C	Rectifier, high voltage
3 #	5304440779	A B C	Lamp Assy, with socket
4 #	5304448490	A B C	Motor, cooling fan
5 #	5303319559	A B C	Switch, monitor, w/ceramic fuse
6 #	5304440026	A B C	Switch, interlock, door sensor
7 #	5304440780	A B C	Fuse, cavity temp, 20 Amp, 250 V
8 #	5304440781	A B C	Magnetron
9 #	5304448832	A B C	Motor, turntable
10 #	5304440783	A B C	Transformer, power
11 #	5304440784	A B C	Power Cord, electric
12 #	5304440785	A B C	Sensor, humidity, cook control
13	5304440814	A B C	Base, unit chassis
14	5304442125	A B C	Insert, threaded, (4)
15	5304440816	A - -	Cabinet, outer casing, black
15	5304440818	- B -	Cabinet, outer casing, bisque
15	5304440817	- - C	Cabinet, outer casing, white
28	5304440838	A B C	Retainer, capacitor strap
29	5304440839	A B C	Bracket, chassis support
30	5304440840	A B C	Latch Hook
31	5304440841	A B C	Lever, door release
32	5304442135	A B C	Duct, magnetron
33 #	5304440843	A B C	Fan Blade, cooling fan
34	5304440844	A B C	Duct, cooling fan
36	5304440845	A B C	Cover, waveguide
37	5304440288	A B C	Bushing, motor shaft, turntable
38	5304441909	A B C	Cushion, base plate pad
39	5304440847	A B C	Duct, AH sensor
40	5304441910	A B C	Cushion, magnetron pad
52	5304452260	A B C	Wiring Harness, main
53	5304440284	A B C	Support Assy, turntable
54	5304440868	A B C	Tray, turntable, glass
55	5304440334	A B C	Label, Caution-monitor
56	5304440333	A B C	Label, Caution-DHHS
58 #	5304440870	A B C	Wire, high voltage-A
59	5303319636	A B C	Screw
60	5303319641	A B C	Screw
61	5304440871	A B C	Screw, 4mm x 12mm, ground
62	5304440340	A B C	Screw, 4mm x 12mm
62	5304452261	A B C	Screw, outer casing
63	5303319633	A B C	Screw, 3mm x 8mm
64	5304440872	A B C	Screw, 4mm x 8mm
65	5304440873	A B C	Screw, torx head, tamper proof
66	5304440874	A B C	Screw
67 #	5304451818	A B C	Filter, noise, electronic
68	5303322975	A B C	Bracket, noise filter, angle

LOWER OVEN



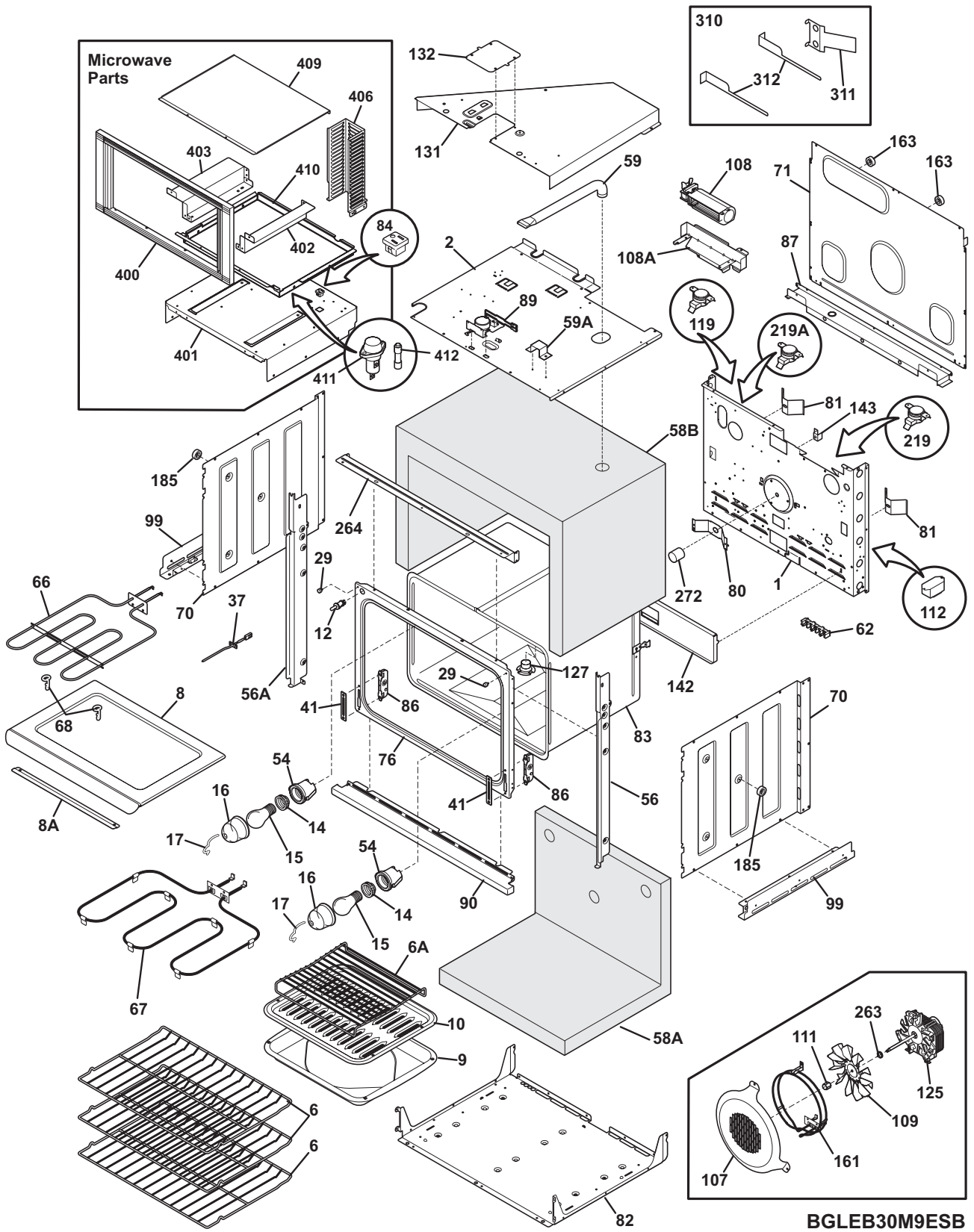
BGLEB30M9ESB

LOWER OVEN

Model Index: A GLEB30M9F (GLEB30M9FBA)
 B GLEB30M9F (GLEB30M9FQA)
 C GLEB30M9F (GLEB30M9FSA)

POS. NO	PART NO.		DESCRIPTION
1	318259204	A B C	Back, main
2	318258902	A B C	Shield, insulation, upper
6	318345208	A B C	Rack, oven
6A	318219500	A B C	Rack, broiler pan
8	318262001	A B C	Cover, element
8A	318318600	A B C	Bracket, element, hidden bake
9	5303317977	A B C	Pan, broiler
10	5303317976	A B C	Insert, broiler pan
12 #	318089917	A B C	Switch, light
14	318224000	A B C	Receptacle, oven light
14*	318268099	A B C	Insulation, oven light
15	5303013071	A B C	Bulb/Lamp, light
16	08011086	A B C	Lens, oven light, glass
17	5304400195	A B C	Retainer, light cover
29	318147411	A B C	Bumper, (2)
37 #	316217002	A B C	Probe, oven temp
41	5303310526	A B C	Cover, hinge cutout
54	318222400	A B C	Housing, oven light
56	318276304	A - -	Trim, side filler, black, RH
56	318276306	- B -	Trim, side filler, bisque, RH
56	318276302	- - C	Trim, side filler, white, RH
56A	318276305	A - -	Trim, side filler, black, LH
56A	318276307	- B -	Trim, side filler, bisque, LH
56A	318276303	- - C	Trim, side filler, white, LH
58A	318285055	A B C	Insulation, oven wrapper
58B	318285056	A B C	Insulation, oven back
59	318072560	A B C	Duct, oven vent
59A	318261600	A B C	Bracket, vent tube
62	316056000	A B C	Terminal Block
62*	5303323139	A B C	Screw, 10-24 x 0.906
62*	5303323144	A B C	Nut, 10-32
66 #	318255600	A B C	Element, broil, 2750W
67	318254901	A B C	Element, bake, 3400W, 8 pass
68	5304403015	A B C	Support, hanger, (2), broil element
70	318259100	A B C	Shield, insulation, sides, (2)
71	318260007	A B C	Panel, rear box
76	318056217	A B C	Front, oven
80	5303320846	A B C	Plate, oven mtg
81	318192400	A B C	Spring, oven
82	318258707	A B C	Shield, insulation, lower
83	318261400	A B C	Liner, oven assy
84 #	318146833	A B C	Outlet-electrical, miniature, black-glossy
86	5303310524	A B C	Receptacle, hinge
87	318260600	A B C	Bracket, cable mtg.
89 #	318261209	A B C	Motor, latch assy
90	318259701	A - -	Trim, oven front, black, bottom
90	318259702	- B -	Trim, oven front, bisque, bottom
90	318259700	- - C	Trim, oven front, white, bottom

LOWER OVEN

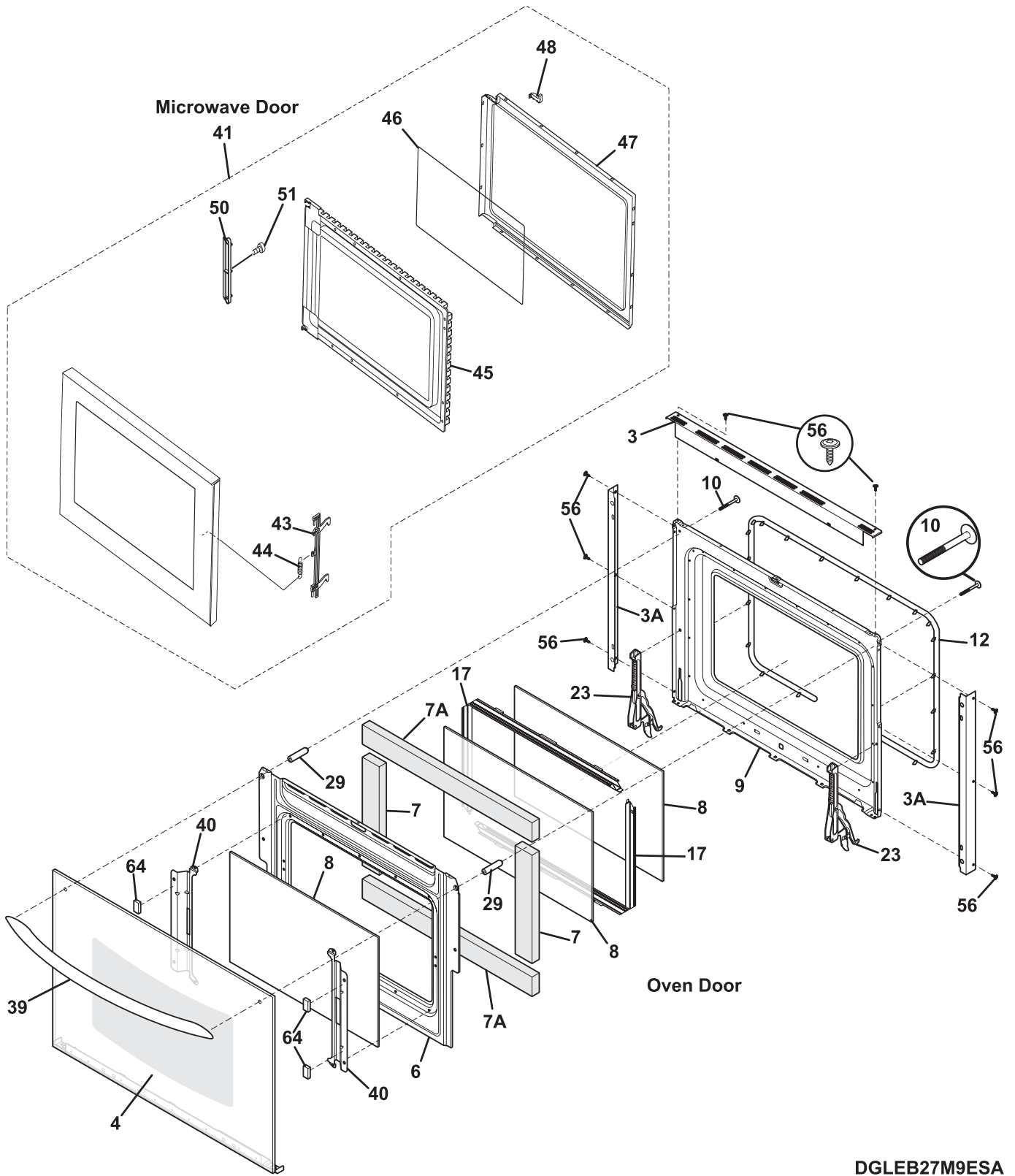


LOWER OVEN

Model Index: A GLEB30M9F (GLEB30M9FBA)
 B GLEB30M9F (GLEB30M9FQA)
 C GLEB30M9F (GLEB30M9FSA)

POS. NO	PART NO.		DESCRIPTION
99	318256200	A B C	Bracket, side, bottom, (2)
107	318219401	A B C	Cover, fan
108#	318073018	A B C	Motor, blower
108A	318251300	A B C	Bracket, fan support
109	316136400	A B C	Blade, fan
111	316136600	A B C	Nut, fan retainer
112#	318112701	A B C	Relay
119#	318004900	A B C	Switch, thermal
125*	5303316994	A B C	Insulation, 3.81 x 3.13
125#	316415800	A B C	Motor, fan
127	318317100	A B C	Adapter Assembly, vent tube, w/converter
131	318272900	A B C	Box, vent
132	318003000	A B C	Plate, shield
142	318123910	A B C	Deflector
143	318172904	A B C	Support, wire
161#	318255503	A B C	Element, convection, 350 W
163	318014111	A B C	Spacer
185	318014700	A B C	Spacer, oven shield, (4)
219#	318003614	A B C	Thermostat, safety
219A	318003613	A B C	Thermostat, safety, 1.375" mtg, 105/120
263	316136500	A B C	Washer, flat
264	318257701	A B C	Trim, oven, black, front
272	318249401	A B C	Tube, protector
310	5304440067	A B C	Cabinet Mounting Kit
311	318246010	A B C	Bracket, cabinet mtg, (2)
311*	5304438005	A B C	Screw, 6 x 1, black
312	318246702	A B C	Tool, cabinet bracket, RH
312	318246703	A B C	Tool, cabinet bracket, LH
400	318275700	A - -	Trim Assembly, microwave, 30", black
400	318275702	- B -	Trim Assembly, microwave, 30", bisque
400	318275701	- - C	Trim Assembly, microwave, 30", white
401	318297203	A B C	Plate, support, microwave, 30"
402	318276202	A B C	Bracket, base pad, RH
403	318276203	A B C	Bracket, base pad, LH
406	318277200	A B C	Shield, microwave rear
409	318295300	A B C	Bracket, top trim
410	318297101	A B C	Flue, black
411#	5304442354	A B C	Holder, fuse
412#	5304442353	A B C	Fuse, 20 Amp
* #	318078543	A B C	Box & wires assy
*	318231737	A B C	Harness, wiring, main
*	5303323136	A B C	Screw ground
*	08016432	A B C	Screw, truss head, 8-18 x 0.375
*	5303211311	A B C	Screw, 8 x 0.500
*	5303323277	A B C	Screw, 8-18 X 13/32
*	5303324184	A B C	Screw, 8-18 x 5/16, black, (4)
*	5303325980	A B C	Screw, 10-32 x 0.437
*	5304436875	A B C	Screw, 8-18 X 1/2, black

DOORS



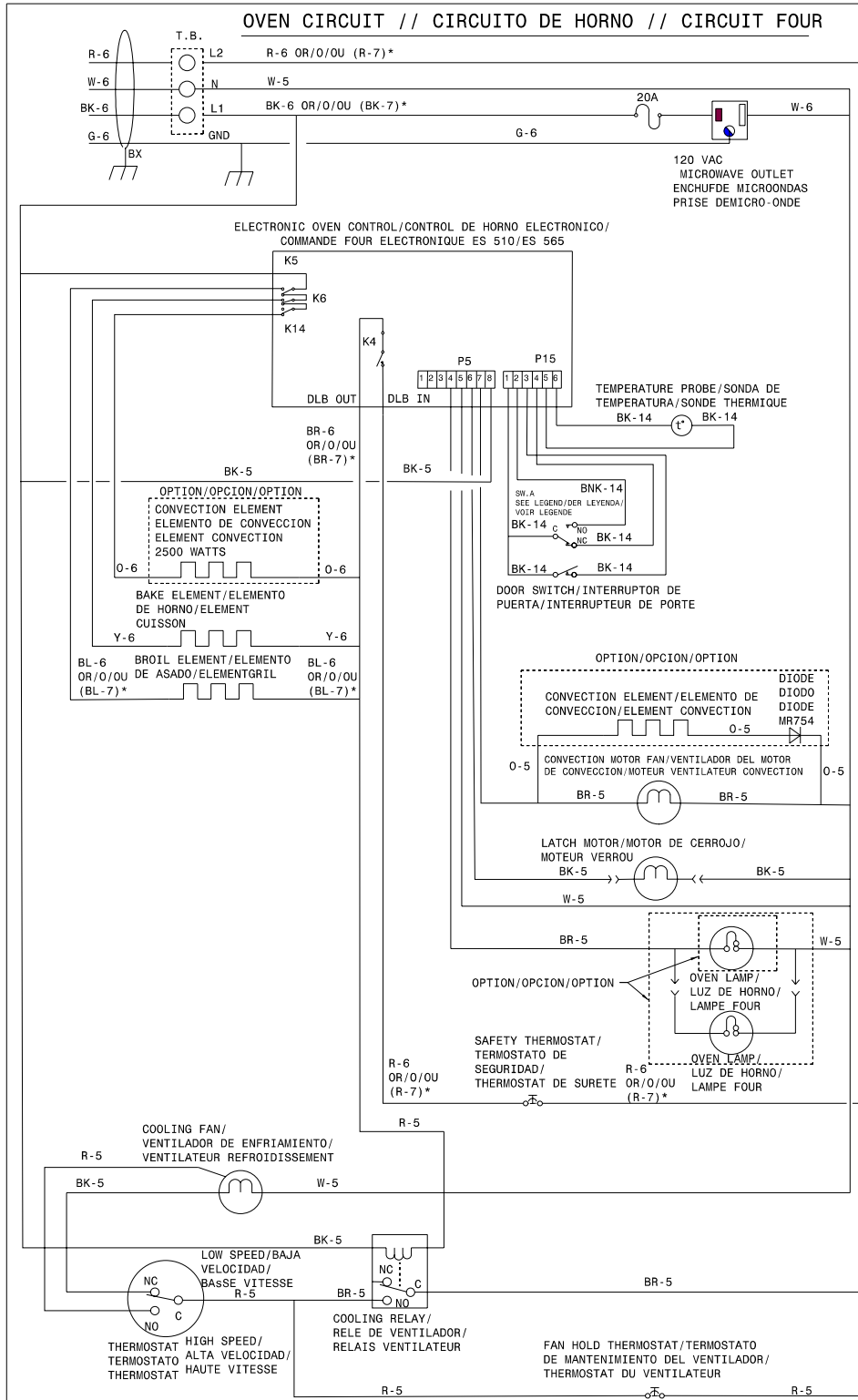
DGLEB27M9ESA

DOORS

Model Index: A GLEB30M9F (GLEB30M9FBA)
 B GLEB30M9F (GLEB30M9FQA)
 C GLEB30M9F (GLEB30M9FSA)

POS. NO	PART NO.		DESCRIPTION
3	318260201	A B C	Trim, oven door, black, upper
3A	318260401	A B C	Trim, oven door, side, (2)
4	318261300	A - -	Glass Assy., oven door, black, outer, w/trim
4	318261302	- B -	Glass Assy., oven door, bisque, outer, w/trim
4	318261301	- - C	Glass Assy., oven door, white, outer, w/trim
6	318260520	A B C	Baffle, door
7	318285057	A B C	Insulation, oven door
7A	318285062	A B C	Insulation, oven door
8	316117500	A B C	Glass, oven door, heat barrier
9	318259601	A B C	Liner, oven door, upper
10	5304400794	A B C	Screw, handle mtg, 10-32 x 3/4
12	318053130	A B C	Seal, oven door, upper
17	316402403	A B C	Spacer, door glass, (2)
23	318024722	A B C	Hinge, door, (2)
29	318014402	A B C	Spacer, door
39	5304457011	A - -	Handle, door, black, w/spacer
39	5304457013	- B -	Handle, door, bisque, w/spacer
39	5304457012	- - C	Handle, door, white, w/spacer
40	318242700	A B C	Bracket, glass holder, (2)
41	5304452257	A - -	Door Assembly, complete, black
41	5304452256	- B -	Door Assembly, complete, bisque
41	5304452255	- - C	Door Assembly, complete, white
43	5304440856	A B C	Latch, door
44	5304440316	A B C	Spring, door latch
45	5304440857	A B -	Panel, inner door, black
45	5304440859	A B -	Panel, inner door, bisque
45	5304442144	- - C	Panel, inner door, white
46	5304440860	A B C	Seal, door, film
47	5304440861	A B C	Frame, choke cover, inner door
48	5304442145	A B C	Door Stop
50	5304440862	A B C	Door Stop
51	5304452259	A B C	Screw
56	5304436875	A B C	Screw, 8-18 X 1/2, black
64	318165800	A B C	Spacer
*	5303323277	A B C	Screw, 8-18 X 13/32

WIRING DIAGRAM



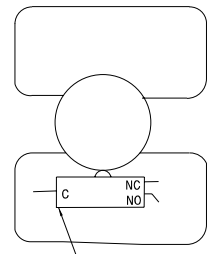
CODE CODIGO	GAUGE MEDIDA	TEMP. °C	CSA	UL
1	18	125	CL1251	3173
2	16	125	CL1251	3173
3	14	125	CL1251	3173
4	12	125	CL1251	3173
5	18	SEE NOTE/VEA LA NOTA/VOIR NOTE		
6	16	SEE NOTE/VEA LA NOTA/VOIR NOTE		
7	14	150	EXL-150	3321
8	12	150	EXL-150	3321
9	10	150	EXL-150	3321
10	18	200	SEW-1	3122
11	16	200	SEW-1	3122
12	12	250		3252
13	16	250		3252
14	20	150	EXL-150	3321
15	8	150	EXL-150	3321
16	8	60		
17	10	60		
18	10	200	SEW-1	3122
19	20	125	CL1251	3173
20	20	200	SEW-1	3122
21	22	125	CL-1251	3173
22	22	150	EXL-150	3321
23	18	200		3573

NOTE:
WIRE# 200°C UL 3122 FOR 24" MODELS
WIRE# 150°C UL 3321 FOR 27" AND 30" MODELS
NOTA:
ALAMBRE 200°C UL 3122 PARA MODELOS 24"
ALAMBRE 150°C UL 3321 PARA MODELOS 27" Y 30"
NOTE:
FILS 200°C UL 3122 POUR LE MODELE 24"
FILS 150°C UL 3321 POUR LES MODELES 27" ET 30"

COLOR CODE/CODIGOS DE COLOR/COLEUR

G. - GREEN/VERDE/VERT
W. - WHITE/BLANCO/BLANC
R. - RED/ROJO/ROUGE
O. - ORANGE/NARANJA/ORANGE
Y. - YELLOW/AMARILLO/JAUNE
BR. - BROWN/MORENO/BRUN
BL. - BLUE/AZUL/BLEU
BK. - BLACK/NEGRO/NOIR

EXAMPLE/EJEMPLO/EXEMPLE: (R-7)*
* WHEN USING 4000 W. BROIL ELEMENT
* CUANDO SE USA 4000 W. ELEMENTO DE ASADO
* QUAND UTILISE AVEC 4000 W. ELEMENT GRILLAGE



CAUTION: DISCONNECT POWER BEFORE SERVICING UNIT.
ATENCIÓN: CORTAR EL CORRIENTE ANTES DE REALIZAR EL MANTENIMIENTO DEL ELECTRODOMESTICO.
ATTENTION: COUPEZ L'ALIMENTATION AVANT D'EFFECTUER LA REPARATION.

318046238 REV:A