

*Frigidaire*

## Factory Parts Catalog

Product No.	FEB27T6FCB
	37054783E60S2
Series	27" double
Color	stainless
Market	North America
Wiring Diagram	318046121
Owner's Guide	318200943
Installation Instructions	318201514
Service Data Sheet	318047306
Timer Guide	318200137

 **Electrolux**

Electrolux Major Appliances  
North & Latin America  
P.O. BOX 212378  
AUGUSTA, GA 30917

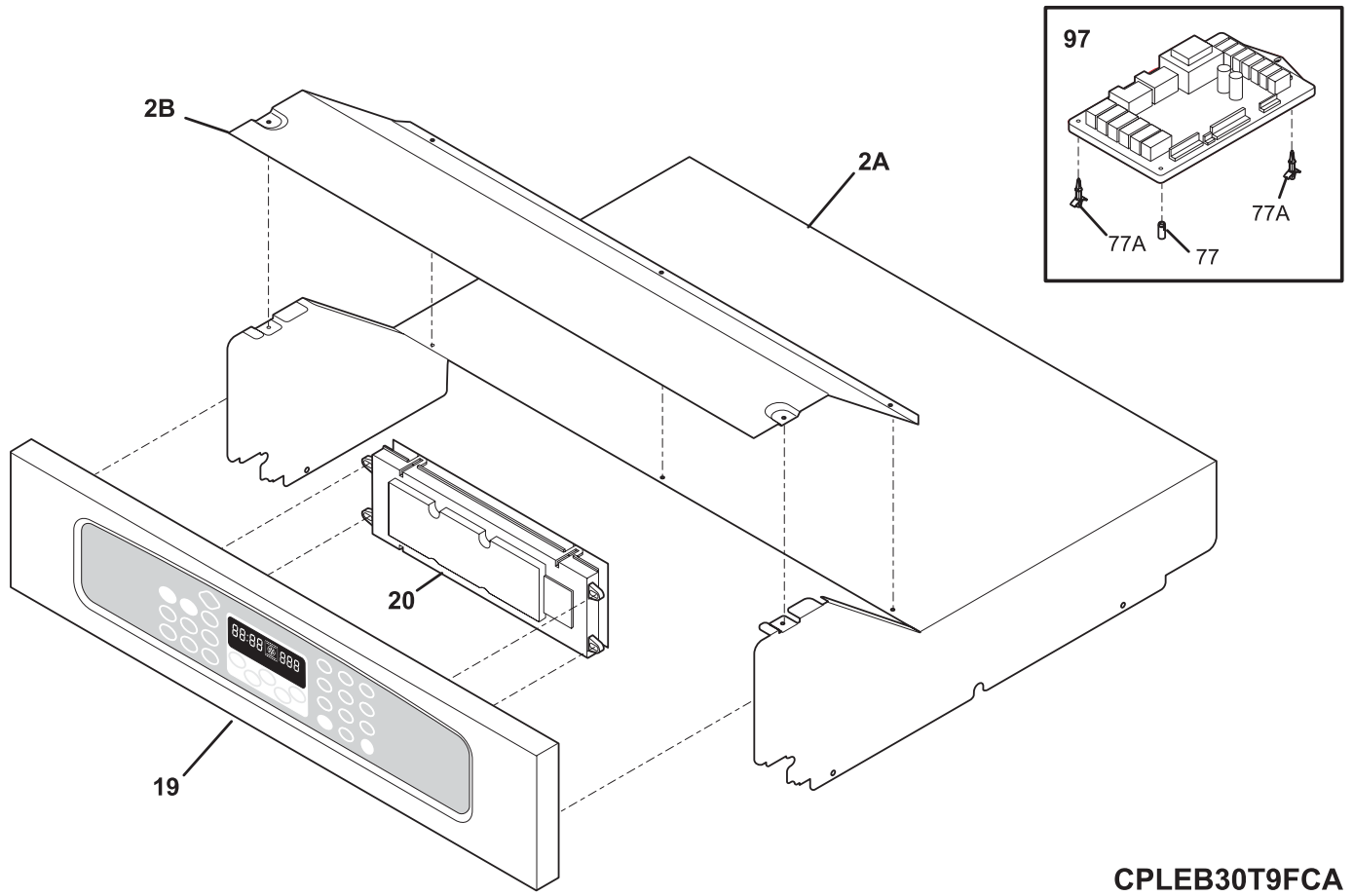
Publication No.  
**5995477493**  
06/10/25  
(EN/SERVICE/BJH)  
377

### DOUBLE ELECTRIC WALL OVEN

Model No.  
FEB27T6F

Copyright © 2006 Electrolux Home Products, Inc.  
All rights reserved.

**CONTROL PANEL**



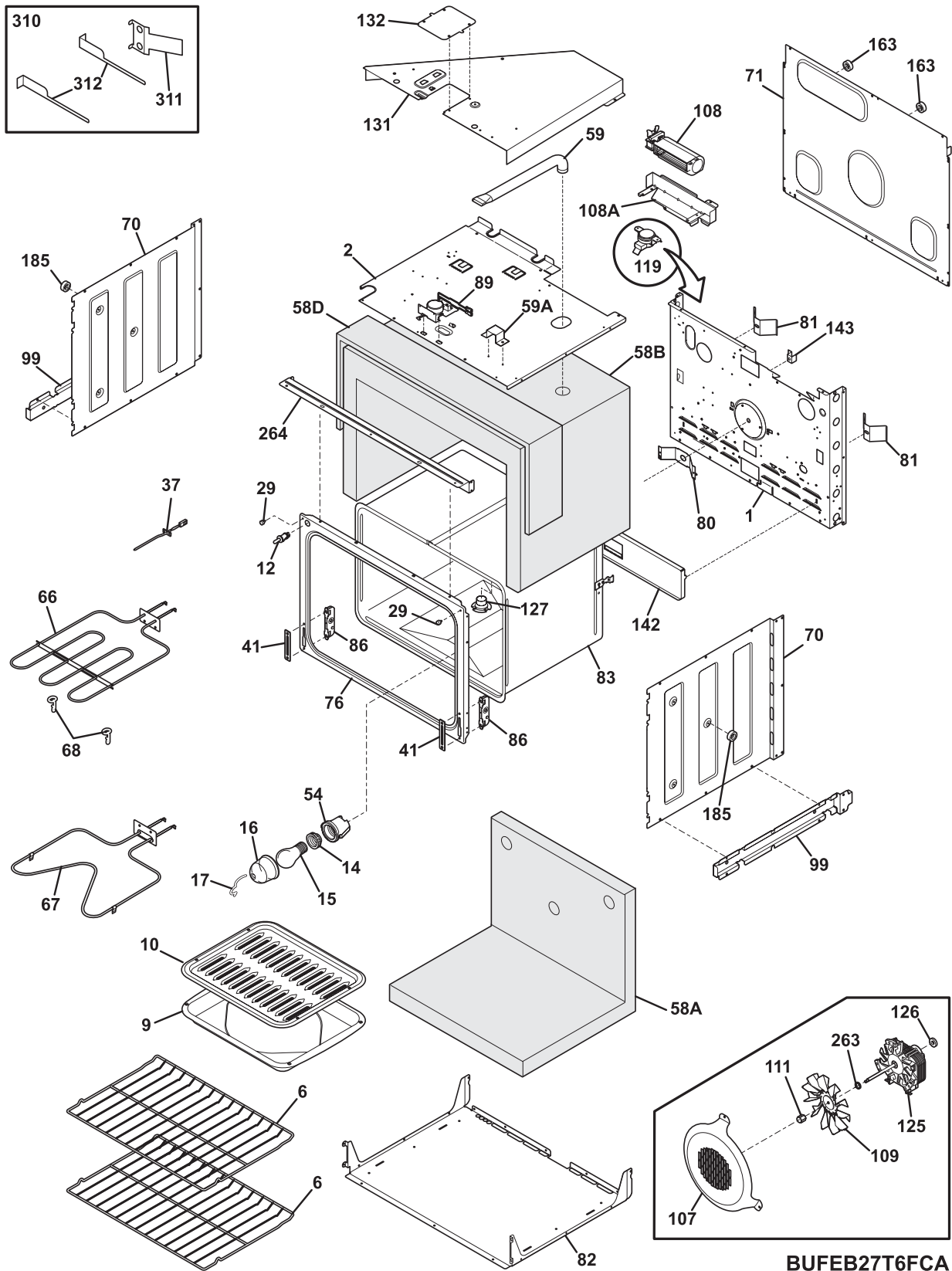
**CPLEB30T9FCA**

**CONTROL PANEL**

---

POS. NO	PART NO.	DESCRIPTION
2A	318257301	Shield, oven top
2B	318260101	Cover, box
19	318271536	Control Panel Assembly, steel/glass, stainless/black, w/touch pad
20 #	316443801	Control, electronic, ES610W2, dual oven
77	316247900	Spacer, power board, (4)
77A	316114100	Spacer, (2)
97	316443902	Board, relay, dual oven
*	318231751	Harness, wiring, control-relay
*	5303211311	Screw, 8 x 0.500
*	5303311306	Screw, 8-18 x 0.375, (8)

UPPER OVEN



BUFEB27T6FCA

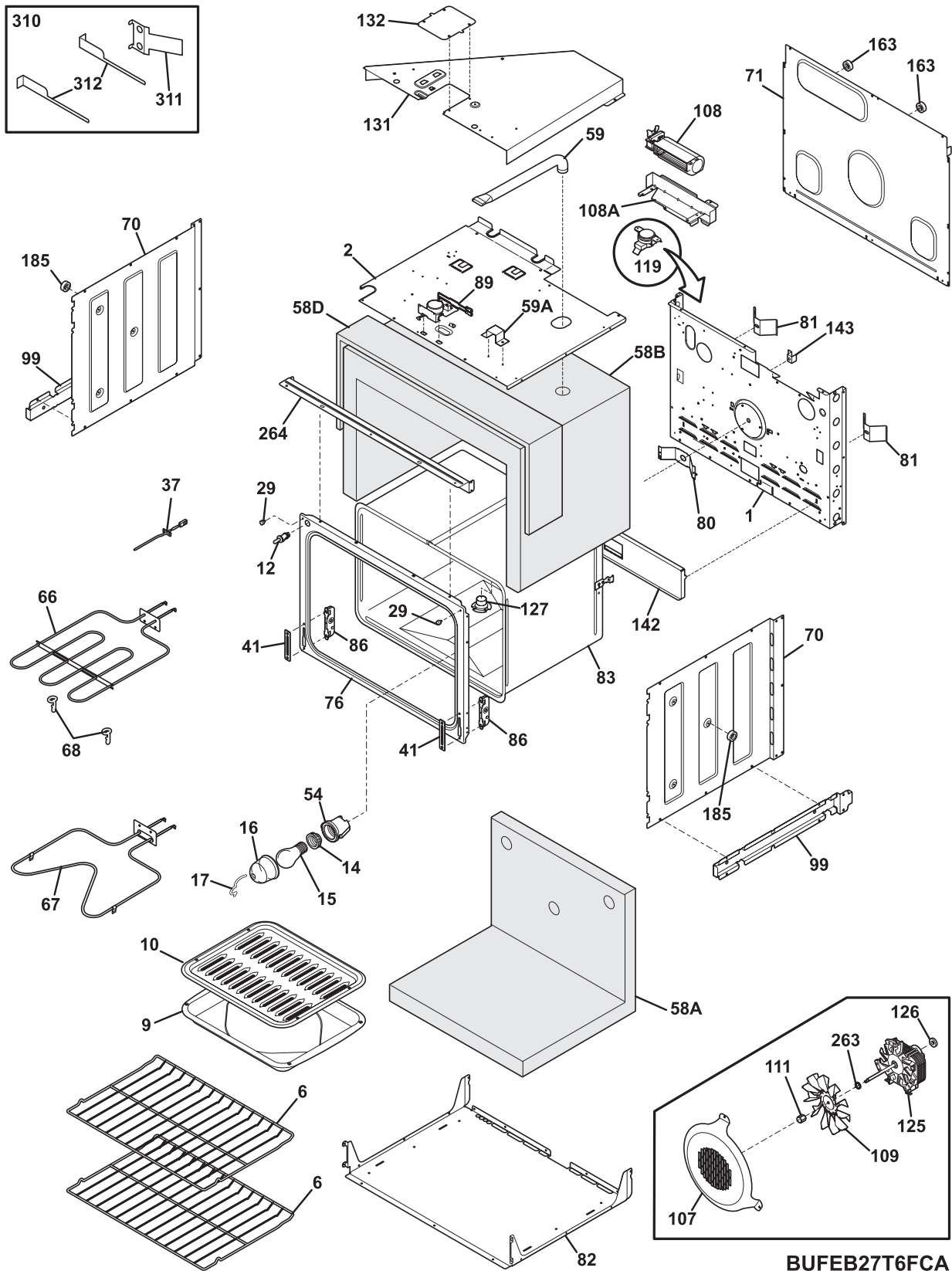
---

**UPPER OVEN**


---

POS. NO	PART NO.	DESCRIPTION
1	318259212	Back, main
2	318258910	Shield, insulation, upper
6	318262602	Rack, oven, (2)
9	5303317977	Pan, broiler
10	5303317976	Insert, broiler pan
12 #	318089917	Switch, light
14	318224000	Receptacle, oven light
14*	318268099	Insulation, oven light
15	5303013071	Bulb/Lamp, light
16	08011086	Lens, oven light, glass
17	5304400195	Retainer, light cover
29	318147411	Bumper, (2)
37 #	316217002	Probe, oven temp
41	5303310526	Cover, hinge cutout
54	318222400	Housing, oven light
58A	318285060	Insulation, rear & bottom, oven wrapper
58B	318285059	Insulation, top & sides, oven wrapper
58D	318285058	Insulation, 1/2" thick, 43 x 9.5
59	318072560	Duct, oven vent
59A	318261600	Bracket, vent tube
66 #	318255601	Element, broil, 3400W
67 #	318255103	Element, bake, 2300W
68	5304403015	Support, hanger, (2), broil element
70	318259100	Shield, insulation, sides, (2)
71	318260001	Panel, rear box
71*	318340200	Bracket, insul. panel
76	318056222	Front, oven
80	5303320846	Plate, oven mtg
*	318249401	Tube, protector
81	318192400	Spring, oven
82	318258710	Shield, insulation, lower
83	318261503	Liner, oven assy
86	318342400	Receptacle, hinge
89 #	318261211	Motor, latch assy
* #	318231750	Harness, wiring, main, latch
* #	318199744	Wiring Harness, latch, BAS
* #	318199746	Wiring Harness, latch, NO BAS
99	318252800	Support, side
107	318219401	Cover, fan
108#	318073018	Motor, blower
*	08016432	Screw, truss head, 8-18 x 0.375
108A	318251300	Bracket, fan support
109	316136400	Blade, fan
111	316136600	Nut, fan retainer
119#	318004900	Switch, thermal
125*	5303316994	Insulation, 3.81 x 3.13
125#	316415800	Motor, fan
126	3016303	Clip, insulator
127	318317100	Adapter Assembly, vent tube, w/converter
131	318272900	Box, vent
132	318003000	Plate, shield

UPPER OVEN



BUFEB27T6FCA

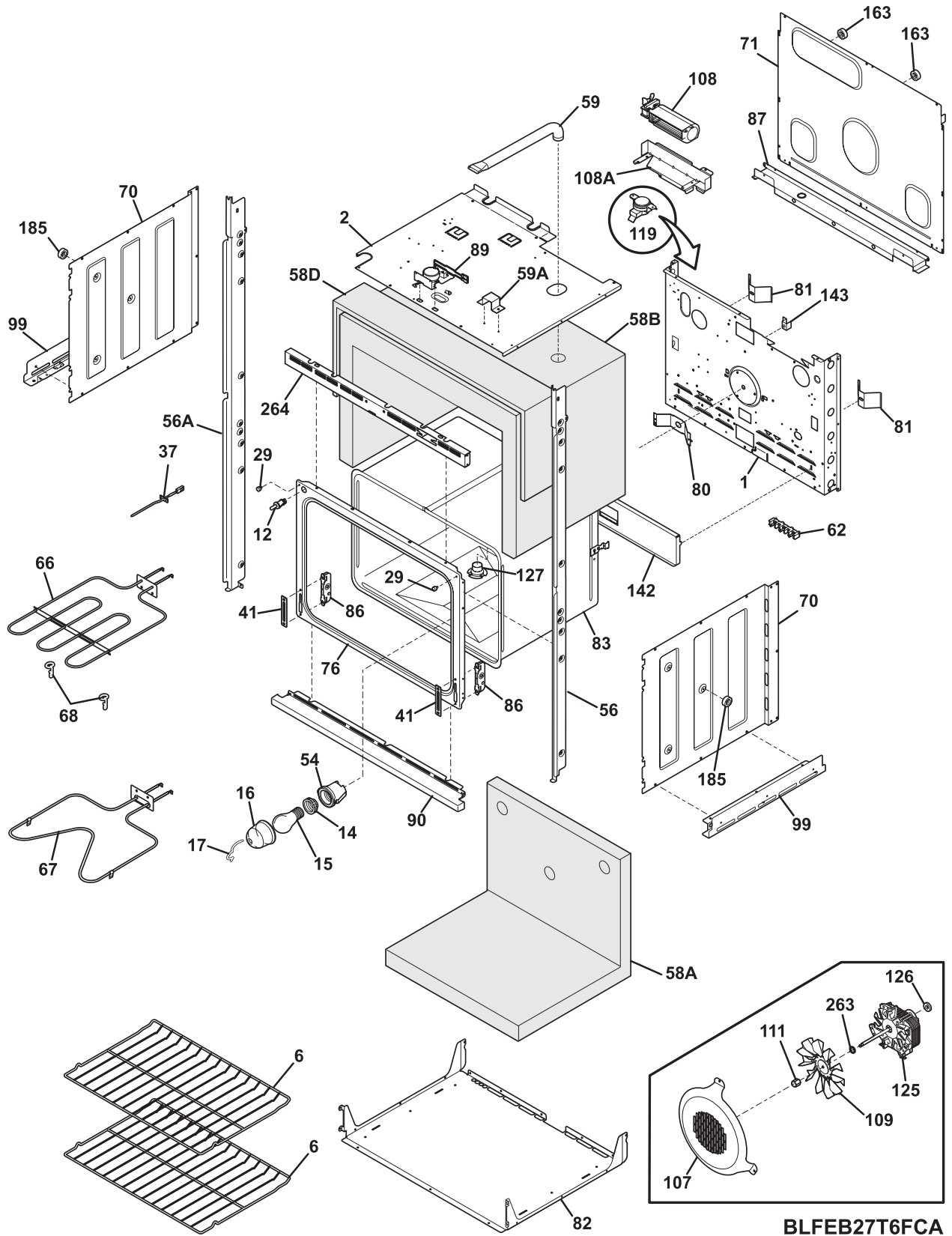
---

**UPPER OVEN**


---

POS. NO	PART NO.	DESCRIPTION
142	318123910	Deflector
143	318172904	Support, wire
163	318014111	Spacer
185	318014700	Spacer, oven shield, (4)
263	316136500	Washer, flat
264	318257711	Trim, oven, black, front
310	5304440067	Cabinet Mounting Kit
311	318246010	Bracket, cabinet mtg, (2)
311*	5304438005	Screw, 6 x 1, black
312	318246702	Tool, cabinet bracket, RH
312	318246703	Tool, cabinet bracket, LH
*	318165800	Spacer
*	5303211311	Screw, 8 x 0.500
*	5303300265	Screw, 8-18 X 1/2, (2)
*	5303323277	Screw, 8-18 X 13/32
*	5304436875	Screw, 8-18 X 1/2, black

LOWER OVEN



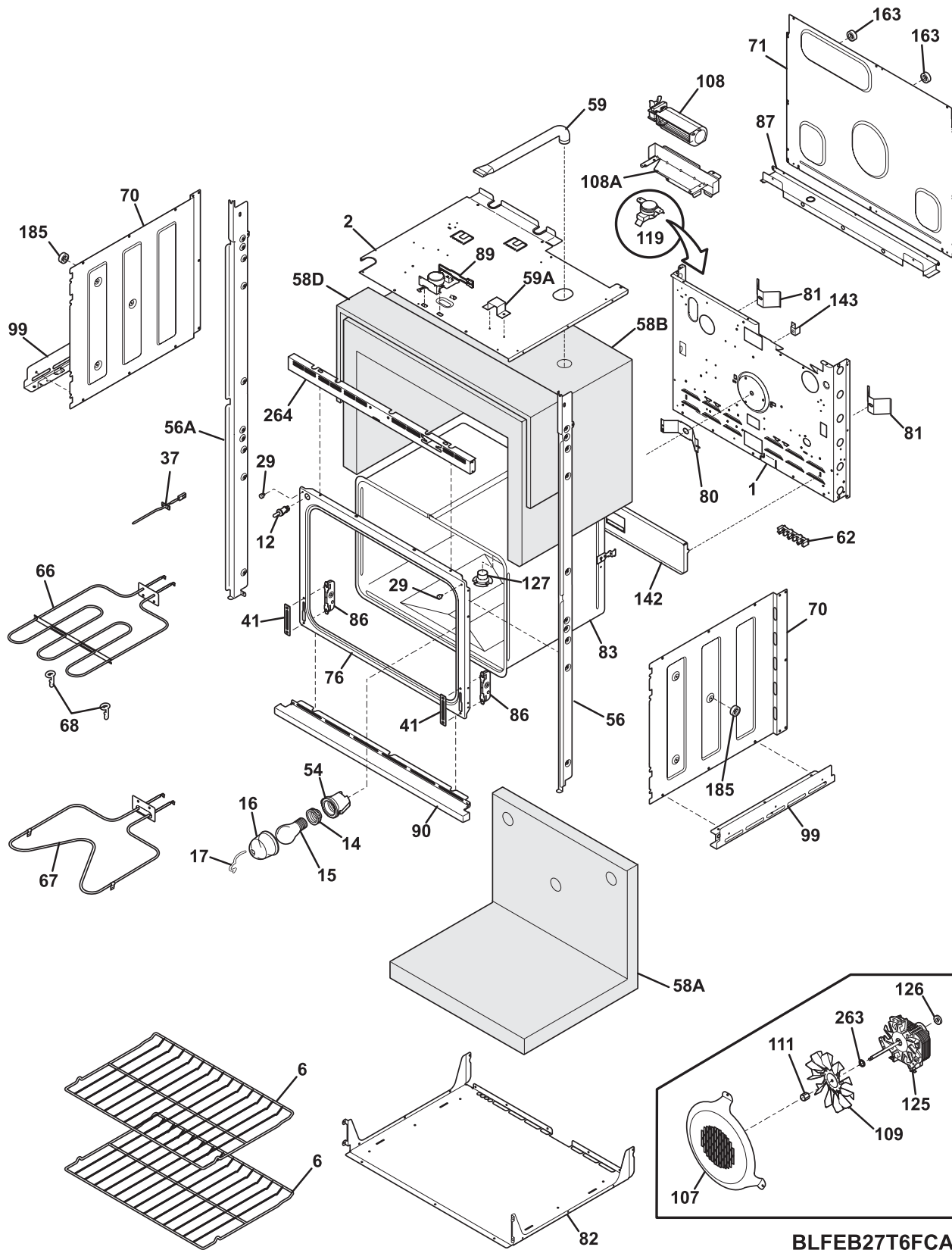
BLFEB27T6FCA



**LOWER OVEN**

POS. NO	PART NO.	DESCRIPTION
1	318259212	Back, main
2	318258910	Shield, insulation, upper
6	318345209	Rack, oven, (3)
12 #	318089917	Switch, light
14	318224000	Receptacle, oven light
14*	318268099	Insulation, oven light
15	5303013071	Bulb/Lamp, light
16	08011086	Lens, oven light, glass
17	5304400195	Retainer, light cover
29	318147411	Bumper, (2)
37 #	316217002	Probe, oven temp
41	5303310526	Cover, hinge cutout
54	318222400	Housing, oven light
56	318259914	Trim, side filler, black, RH
56A	318259915	Trim, side filler, black, LH
58A	318285060	Insulation, rear & bottom, oven wrapper
58B	318285059	Insulation, top & sides, oven wrapper
58D	318285058	Insulation, 1/2" thick, 43 x 9.5
59	318072560	Duct, oven vent
59A	318261600	Bracket, vent tube
62	316056000	Terminal Block
62*	5303323139	Screw, 10-24 x 0.906
62*	5303323144	Nut, 10-32
66 #	318255601	Element, broil, 3400W
67 #	318255103	Element, bake, 2300W
68	5304403015	Support, hanger, (2), broil element
70	318259100	Shield, insulation, sides, (2)
71	318260001	Panel, rear box
71*	318340200	Bracket, insul. panel
76	318056222	Front, oven
80	5303320846	Plate, oven mtg
*	318249401	Tube, protector
81	318192400	Spring, oven
82	318258710	Shield, insulation, lower
83	318261503	Liner, oven assy
86	318342400	Receptacle, hinge
87	318260601	Bracket, cable mtg.
89 #	318261211	Motor, latch assy
* #	318231750	Harness, wiring, main, latch
* #	318199744	Wiring Harness, latch, BAS
* #	318199746	Wiring Harness, latch, NO BAS
90	318259711	Trim, oven front, black, bottom
99	318256200	Bracket, side, bottom, (2)
107	318219401	Cover, fan
108#	318073018	Motor, blower
*	08016432	Screw, truss head, 8-18 x 0.375
108A	318251300	Bracket, fan support
109	316136400	Blade, fan
111	316136600	Nut, fan retainer
119#	318004900	Switch, thermal
125*	5303316994	Insulation, 3.81 x 3.13

LOWER OVEN



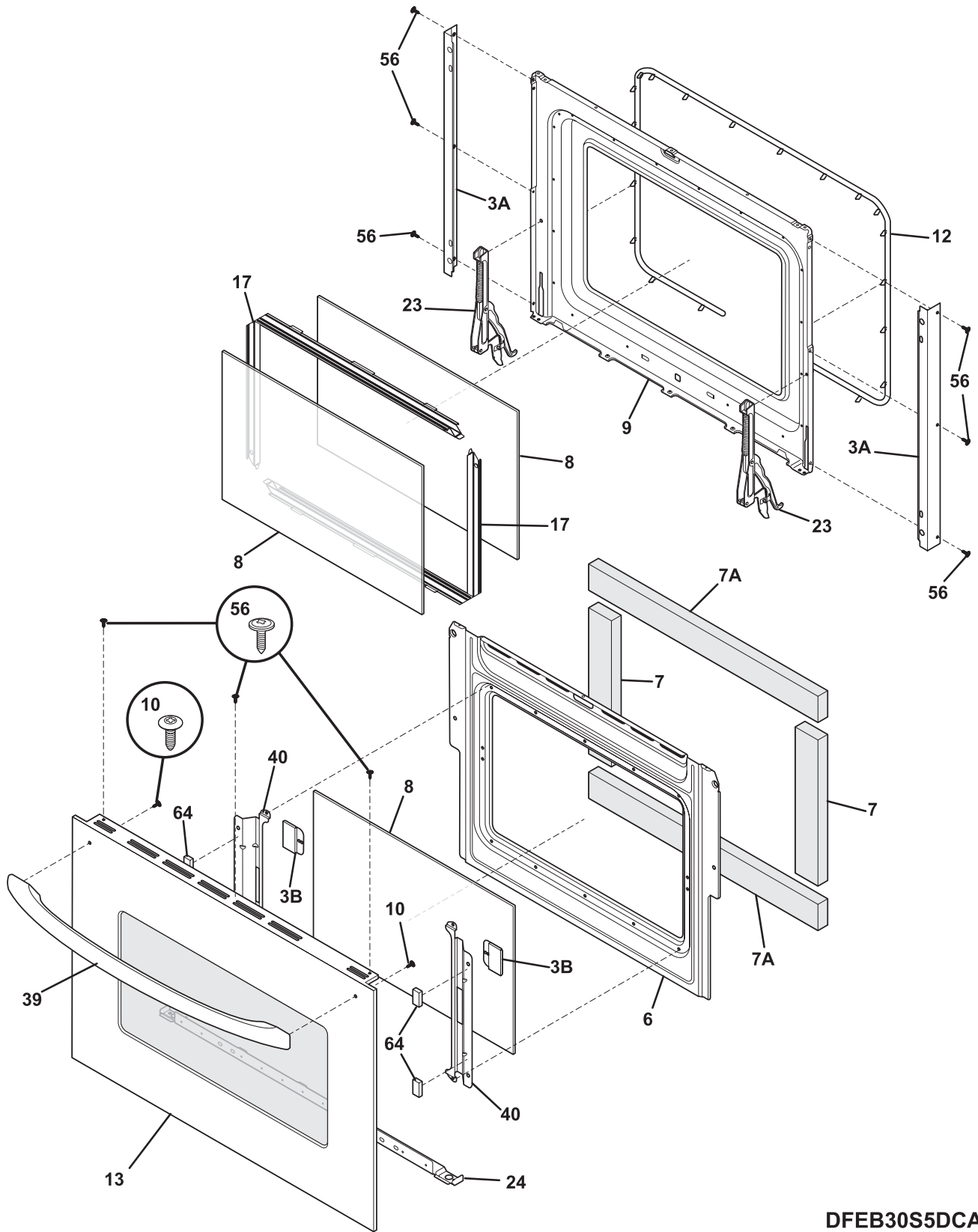
BLFEB27T6FCA

**LOWER OVEN**

---

POS. NO	PART NO.	DESCRIPTION
125#	316415800	Motor, fan
126	3016303	Clip, insulator
127	318317100	Adapter Assembly, vent tube, w/converter
142	318123910	Deflector
143	318172904	Support, wire
163	318014111	Spacer
185	318014700	Spacer, oven shield, (4)
263	316136500	Washer, flat
264	318257811	Trim, oven, black, front
* #	318078543	Box & wires assy
*	318231747	Harness, wiring, main
*	318165800	Spacer
*	5303211311	Screw, 8 x 0.500
*	5303323277	Screw, 8-18 X 13/32
*	5304436875	Screw, 8-18 X 1/2, black

DOORS



DFEB30S5DCA

## DOORS

---

POS. NO	PART NO.	DESCRIPTION
3A	318260401	Trim, oven door, side, (2)
3B	318262101	Cover, rear door, black, (2)
6	318260510	Baffle, door
7	318372000	Insulation, door, (2)
7A	318372001	Insulation, door, 20.5 x 2.375, (2)
8	318212200	Glass, oven door, heat barrier
9	318259615	Liner, upper door
10	5303311174	Screw, 10-24 x 3/8
12	318053135	Seal, oven door, upper
13	318272109	Door Assy, glass, stainless steel, upper door, w/tape & foil
17	318264700	Spacer, glass, (2)
23	318024722	Hinge, door, upper, (2)
24	318260301	Trim, door, black, lower
39	318264500	Handle, oven door, black
40	318242700	Bracket, glass holder, (2)
56	5304436875	Screw, 8-18 X 1/2, black
64	318165800	Spacer
*	08016432	Screw, truss head, 8-18 x 0.375
*	5303211311	Screw, 8 x 0.500
*	5303323277	Screw, 8-18 X 13/32

WIRING DIAGRAM

