

Frigidaire

Factory Parts Catalog

Product No.	PLEB30M9ECC
	39257391G50S3
Series	30" elec
Color	stainless
Market	North America
Wiring Diagram	318046238
Owner's Guide	318200941
Installation Instructions	318201521
Service Data Sheet	318047418

 **Electrolux**

Electrolux Major Appliances
 North & Latin America
 P.O. BOX 212378
 AUGUSTA, GA 30917

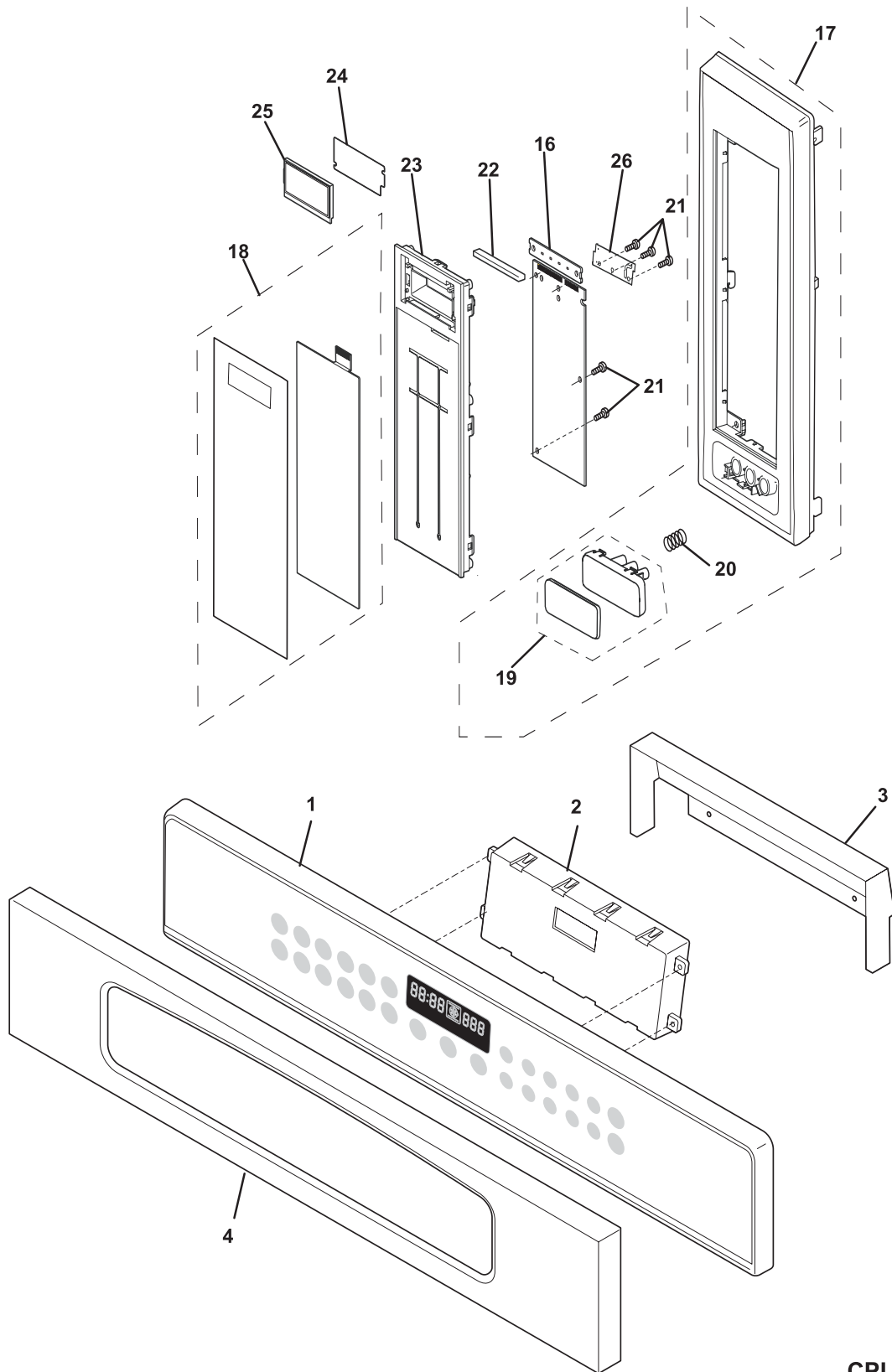
Publication No.
5995465746
 06/05/02
 (EN/SERVICE/BJH)
 377

**WALL OVEN/
 MICROWAVE COMBO**

Model No.
PLEB30M9E

Copyright © 2006 Electrolux Home Products, Inc.
 All rights reserved.

CONTROL PANEL

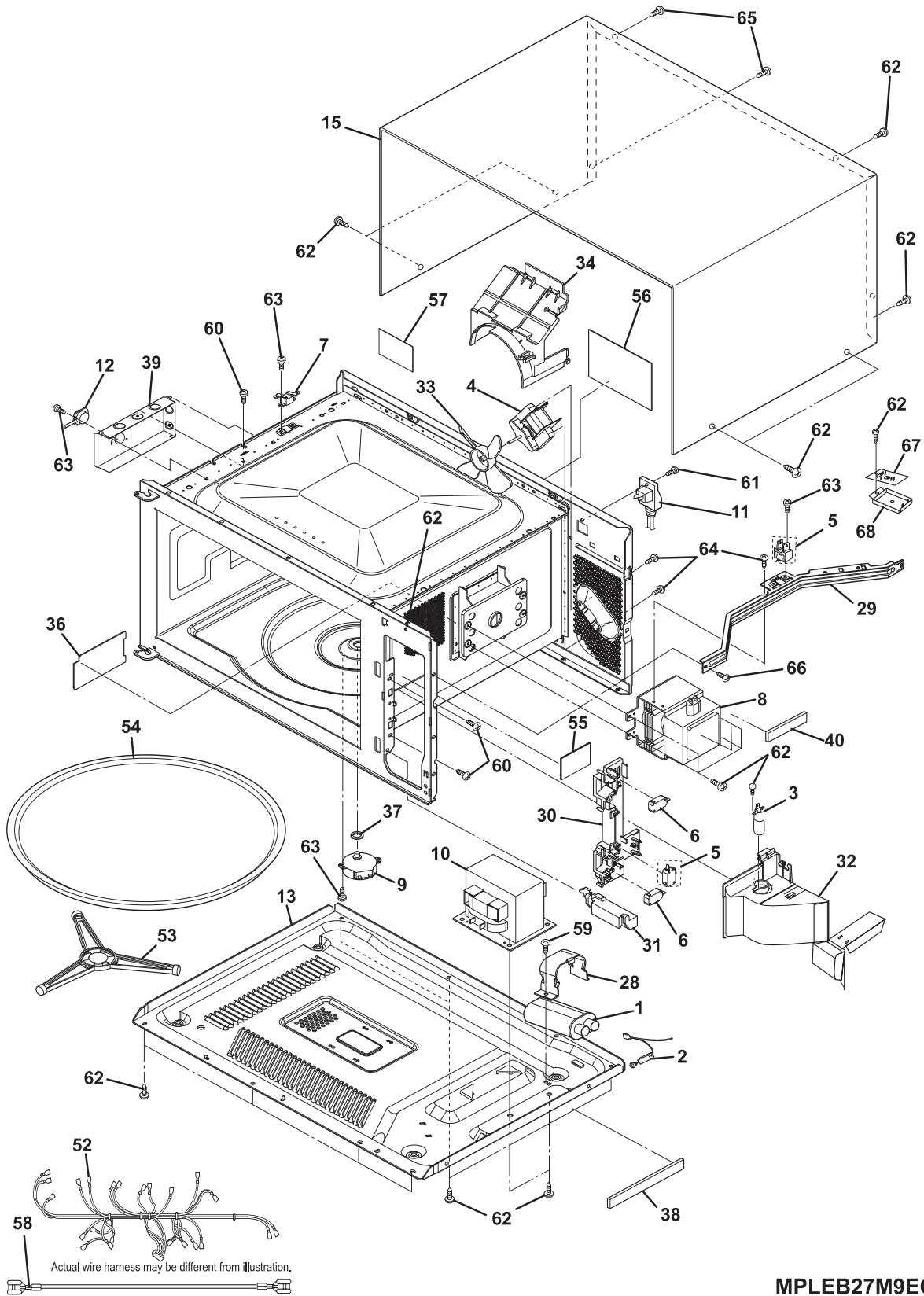


CPLEB27M9ECA

CONTROL PANEL

POS. NO	PART NO.	DESCRIPTION
1	318331313	Control Panel Assembly, glass, black, w/touch pad
2 #	316418720	Clock/Timer, electronic, ES510W1
3	318295703	Deflector, timer
4	318271415	Frame, control panel, stainless
16 #	5304440820	Control Board, printed circuit
17	5304452253	Frame, control panel, stainless steel
18 #	5304440824	Switch Assy, touch control, black
19	5304448833	Push Button, door opener, stainless steel
20	5304442134	Spring, button
21	5304440282	Screw, control board, 3mm x 10mm
22	5304440832	Connector, rubber, control board
23	5304440833	Panel, touch pad mount
24 #	5304440834	LED Sheet, backlight
25 #	5304440835	LCD, display
26	5304440836	Bracket, PCB support
*	5303211311	Screw, 8 x 0.500

UPPER OVEN

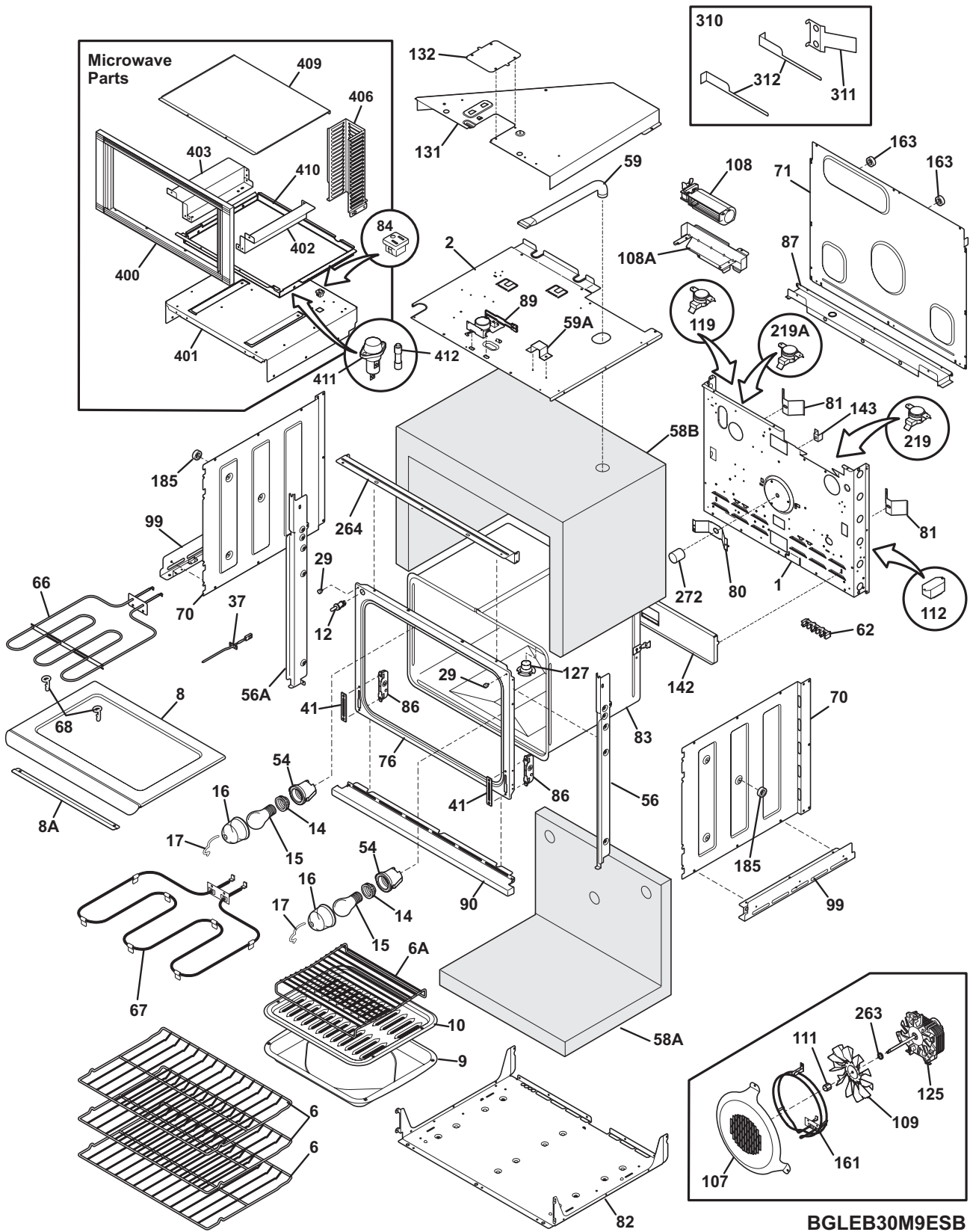


MPLEB27M9ECA

UPPER OVEN

POS. NO	PART NO.	DESCRIPTION
1 #	5304440777	Capacitor, high voltage
2 #	5304440778	Rectifier, high voltage
3 #	5304440779	Lamp Assy, with socket
4 #	5304448490	Motor, cooling fan
5	5303319559	Switch, monitor, w/ceramic fuse
6 #	5304440026	Switch, interlock, door sensor
7 #	5304440780	Fuse, cavity temp, 20 Amp, 250 V
8 #	5304440781	Magnetron
9 #	5304448832	Motor, turntable
10 #	5304440783	Transformer, power
11 #	5304440784	Power Cord, electric
12 #	5304440785	Sensor, humidity, cook control
13	5304440814	Base, unit chassis
15	5304440816	Cabinet, outer casing, black
28	5304440838	Retainer, capacitor strap
29	5304440839	Bracket, chassis support
30	5304440840	Latch Hook
31	5304440841	Lever, door release
32	5304440842	Duct, magnetron
33 #	5304440843	Fan Blade, cooling fan
34	5304440844	Duct, cooling fan
36	5304440845	Cover, waveguide
37	5304440288	Bushing, motor shaft, turntable
38	5304441909	Cushion, base plate pad
39	5304440847	Duct, AH sensor
40	5304441910	Cushion, magnetron pad
52	5304452260	Wiring Harness, main
53	5304440284	Support Assy, turntable
54	5304440868	Tray, turntable, glass
55	5304440334	Label, Caution-monitor
56	5304440333	Label, Caution-DHHS
57	5304453941	Label, caution, UL screw
58 #	5304440870	Wire, high voltage-A
59	5303319636	Screw
60	5303319641	Screw
61	5304440871	Screw, 4mm x 12mm, ground
62	5304440340	Screw, 4mm x 12mm
62	5304452261	Screw, outer casing
63	5303319633	Screw, 3mm x 8mm
64	5304440872	Screw, 4mm x 8mm
65	5304440873	Screw, torx head, tamper proof
66	5304440874	Screw
67 #	5304451818	Filter, noise, electronic
68	5303322975	Bracket, noise filter, angle

LOWER OVEN

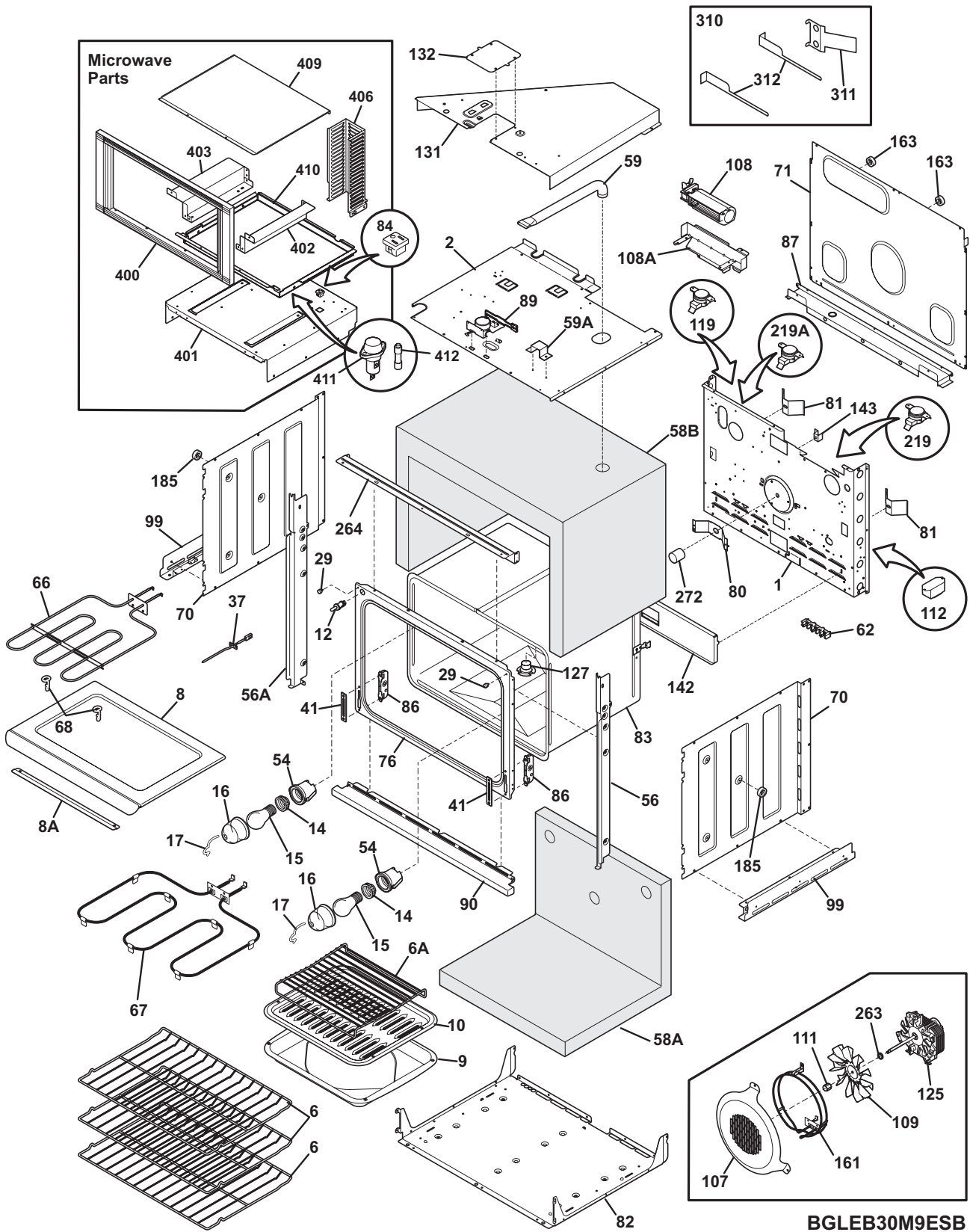


BGLEB30M9ESB

LOWER OVEN

POS. NO	PART NO.	DESCRIPTION
1	318259202	Back, main
2	318258902	Shield, insulation, upper
6	318262503	Rack, oven
6A	318219500	Rack, broiler pan
8	318262001	Cover, element
8A	318318600	Bracket, element, hidden bake
9	5303317977	Pan, broiler
10	5303317976	Insert, broiler pan
12 #	318089917	Switch, light
14	318224000	Receptacle, oven light
14*	318268099	Insulation, oven light
15	5303013071	Bulb/Lamp, light
16	3201911	Cover, oven light, glass
17	5304400195	Retainer, light cover
29	318147411	Bumper, (2)
37 #	316217002	Probe, oven temp
41	5303310526	Cover, hinge cutout
*	5303325980	Screw, 10-32 x 0.437
54	318222400	Housing, oven light
56	318276304	Trim, side filler, black, RH
56A	318276305	Trim, side filler, black, LH
58A	318285055	Insulation, oven wrapper
58B	318285056	Insulation, oven back
59	318072560	Duct, oven vent
59A	318261600	Bracket, vent tube
62	316056000	Terminal Block
62*	5303323139	Screw, 10-24 x 0.906
62*	5303323144	Nut, 10-32
66 #	318255600	Element, broil, 2750W
67	318254901	Element, bake, 3400W, 8 pass
68	5304403015	Support, hanger, (2), broil element
70	318259100	Shield, insulation, sides, (2)
71	318260007	Panel, rear box
76	318056217	Front, oven
80	5303320846	Plate, oven mtg
81	318192400	Spring, oven
82	318258707	Shield, insulation, lower
83	318261400	Liner, oven assy
84 #	318146833	Outlet-electrical, miniature, black-glossy
86	5303310524	Receptacle, hinge
87	318260600	Bracket, cable mtg.
89 #	318261209	Motor, latch assy
90	318259802	Trim, base, stainless
99	318256200	Bracket, side, bottom, (2)
107	318219401	Cover, fan
108#	318073018	Motor, blower
*	08016432	Screw, truss head, 8-18 x 0.375
108A	318251300	Bracket, fan support
109	316136400	Blade, fan
111	316136600	Nut, fan retainer
112#	318112701	Relay

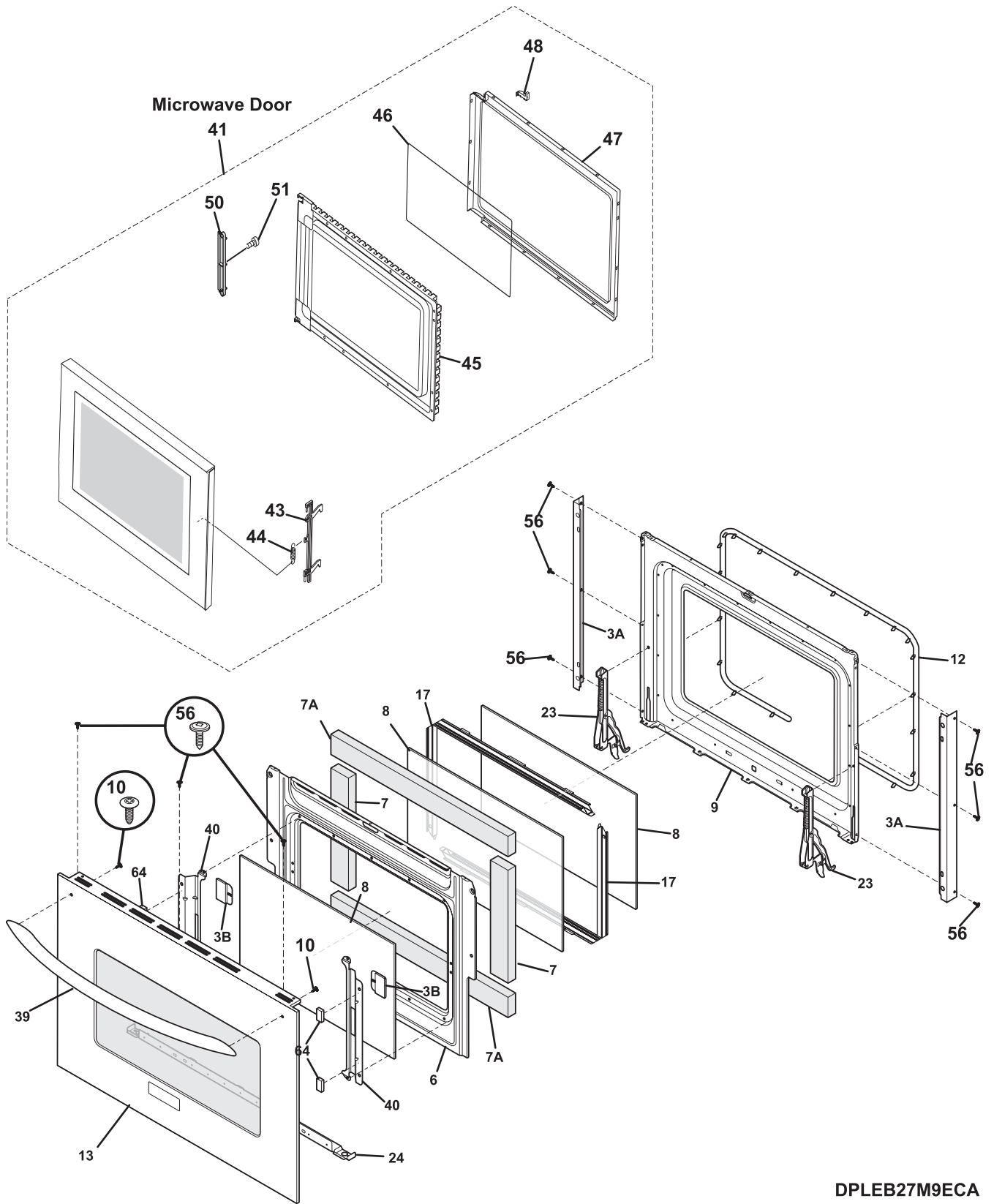
LOWER OVEN



LOWER OVEN

POS. NO	PART NO.	DESCRIPTION
119#	318004900	Switch, thermal
125*	5303316994	Insulation, 3.81 x 3.13
125#	316415800	Motor, fan
127	318317100	Adapter Assembly, vent tube, w/converter
131	318272900	Box, vent
132	318003000	Plate, shield
142	318123910	Deflector
143	318172904	Support, wire
161#	318255503	Element, convection, 350 W
163	318014111	Spacer
185	318014700	Spacer, oven shield, (4)
219#	318003614	Thermostat, safety
219A	318003613	Thermostat, safety, 1.375" mtg, 105/120
263	316136500	Washer, flat
264	318257701	Trim, oven, black, front
272	318249401	Tube, protector
310	5304440067	Cabinet Mounting Kit
311	318246010	Bracket, cabinet mtg, (2)
311*	5304438005	Screw, 6 x 1, black
312	318246702	Tool, cabinet bracket, RH
312	318246703	Tool, cabinet bracket, LH
400	318275703	Trim Assembly, microwave, 30", stainless
401	318297203	Plate, support, microwave, 30"
402	318276202	Bracket, base pad, RH
403	318276203	Bracket, base pad, LH
406	318277200	Shield, microwave rear
409	318295300	Bracket, top trim
410	318297101	Flue, black
411#	5304442354	Holder, fuse
412#	5304442353	Fuse, 20 Amp
* #	318078543	Box & wires assy
*	318231737	Harness, wiring, main
*	5303211311	Screw, 8 x 0.500
*	5303323136	Screw ground
*	5303323277	Screw, 8-18 X 13/32
*	5303324184	Screw, 8-18 x 5/16, black, (4)
*	5304436875	Screw, 8-18 X 1/2, black

DOORS

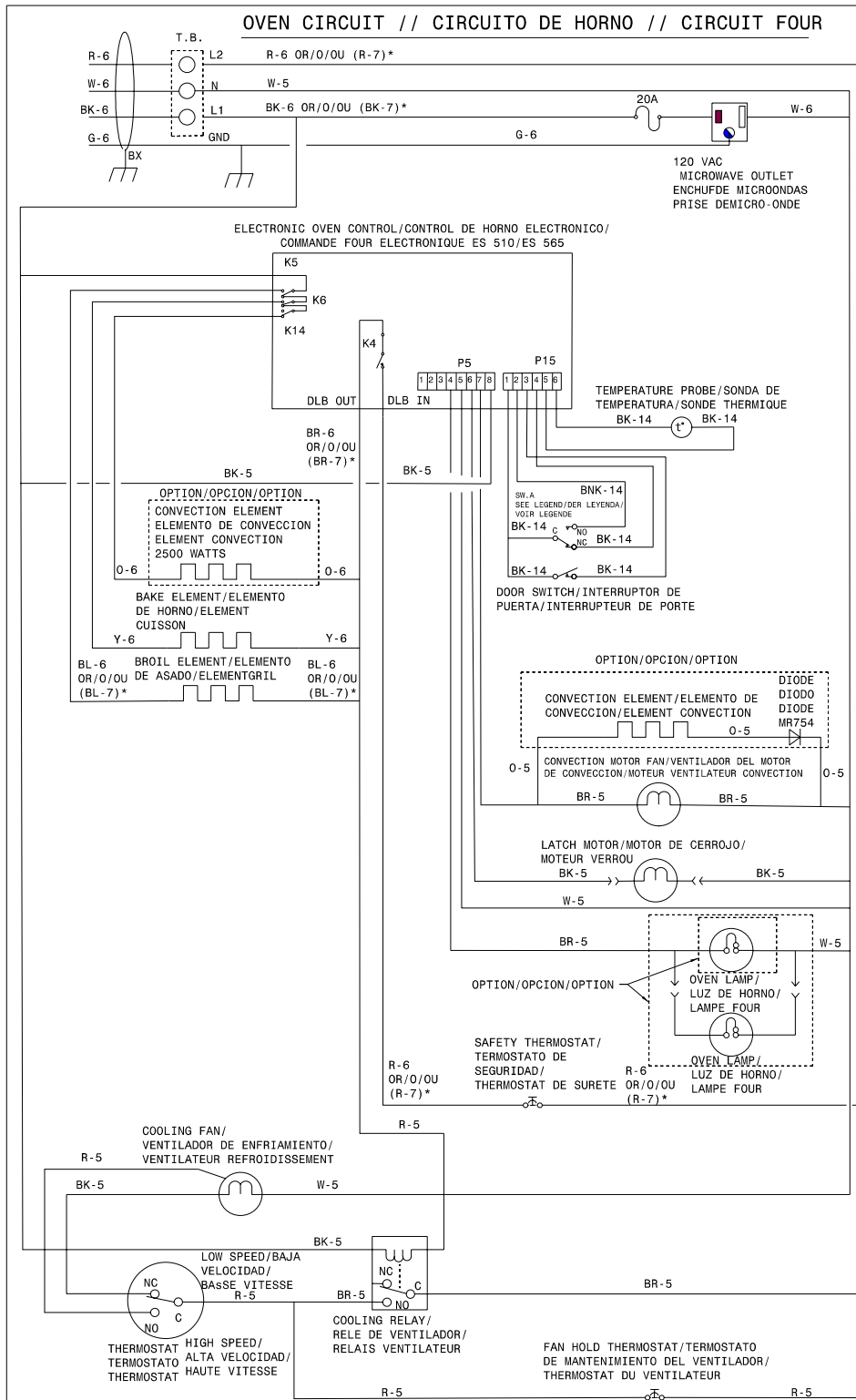


DPLEB27M9ECA

DOORS

POS. NO	PART NO.	DESCRIPTION
3A	318260401	Trim, oven door, side, (2)
3B	318262101	Cover, rear door, black, (2)
6	318260500	Baffle, door
7	318285057	Insulation, oven door
7A	318285062	Insulation, oven door
8	316117500	Glass, oven door, heat barrier
9	318259605	Liner, door
10	5304400794	Screw, handle mtg, 10-32 x 3/4
12	318053130	Seal, oven door, upper
13	318272156	Door Assy, w/nameplate, stainless steel, outer, w/tape & foil
17	316402403	Spacer, door glass, (2)
23	318024714	Hinge, door, (2)
24	318260301	Trim, door, black, lower
39	318219802	Handle, door/drawer, stainless
40	318242700	Bracket, glass holder, (2)
41	5304452258	Door Assembly, complete, stainless
43	5304440856	Latch, door
44	5304440316	Spring, door latch
45	5304440857	Panel, inner door, black
46	5304440860	Seal, door, film
47	5304440861	Frame, choke cover, inner door
48	5304442145	Door Stop
50	5304440862	Door Stop
51	5304452259	Screw
56	5304436875	Screw, 8-18 X 1/2, black
64	318165800	Spacer, (2)
*	318163602	Cleaner, stainless steel
*	5303323277	Screw, 8-18 X 13/32

WIRING DIAGRAM



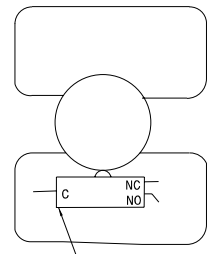
CODE CODIGO CODE	GAUGE MEDIDA CALIBRE	TEMP. °C	CSA	UL
1	18	125	CL1251	3173
2	16	125	CL1251	3173
3	14	125	CL1251	3173
4	12	125	CL1251	3173
5	18	SEE NOTE/VEA LA NOTA/VOIR NOTE		
6	16	SEE NOTE/VEA LA NOTA/VOIR NOTE		
7	14	150	EXL-150	3321
8	12	150	EXL-150	3321
9	10	150	EXL-150	3321
10	18	200	SEW-1	3122
11	16	200	SEW-1	3122
12	12	250		3252
13	16	250		3252
14	20	150	EXL-150	3321
15	8	150	EXL-150	3321
16	8	60		
17	10	60		
18	10	200	SEW-1	3122
19	20	125	CL1251	3173
20	20	200	SEW-1	3122
21	22	125	CL-1251	3173
22	22	150	EXL-150	3321
23	18	200		3573

NOTE:
WIRE# 200°C UL 3122 FOR 24" MODELS
WIRE# 150°C UL 3321 FOR 27" AND 30" MODELS
NOTA:
ALAMBRE 200°C UL STYLE 3122 PARA MODELOS 24"
ALAMBRE 150°C UL STYLE 3321 PARA MODELOS 27" Y 30"
NOTE:
FILS 200°C UL 3122 POUR LES MODELS 24"
FILS 150°C UL 3321 POUR LES MODELS 27" ET 30"

COLOR CODE/CODIGOS DE COLOR/COLEUR

G. - GREEN/VERDE/VERT
W. - WHITE/BLANCO/BLANC
R. - RED/ROJO/ROUGE
O. - ORANGE/NARANJA/ORANGE
Y. - YELLOW/AMARILLO/JAUNE
BR. - BROWN/MORENO/BRUN
BL. - BLUE/AZUL/BLEU
BK. - BLACK/NEGRO/NOIR

EXAMPLE/EJEMPLO/EXEMPLE: (R-7)*
* WHEN USING 4000 W. BROIL ELEMENT
* CUANDO SE USA 4000 W. ELEMENTO DE ASADO
* QUAND UTILISE AVEC 4000 W. ELEMENT GRILLAGE



SW.A
LATCH MOTOR
MOTOR DE CERROJO
MOTEUR VERROU

CAUTION: DISCONNECT POWER BEFORE SERVICING UNIT.
ATENCIÓN: CORTAR EL CORRIENTE ANTES DE REALIZAR EL MANTENIMIENTO DEL ELECTRODOMESTICO.
ATTENTION: COUPEZ L'ALIMENTATION AVANT D'EFFECTUER LA REPARATION.

318046238 REV:A