

*Frigidaire*

## Factory Parts Catalog

Product No.	PLD4050RHC0
Series	Built-in 24"
Color	stainless
Owner's Guide English	154720101
Owner's Guide Spanish	154720103
Owner's Guide French	154720102
Service Data Sheet	154718601
Energy Guide	154678521
Installation Instructions	154427301
Market	North America

 **Electrolux**

Electrolux Major Appliances  
North & Latin America  
P.O. BOX 212378  
AUGUSTA, GA 30917

Publication No.  
**5995523270**  
08/09/03  
(EN/SERVICE/ECL)  
821

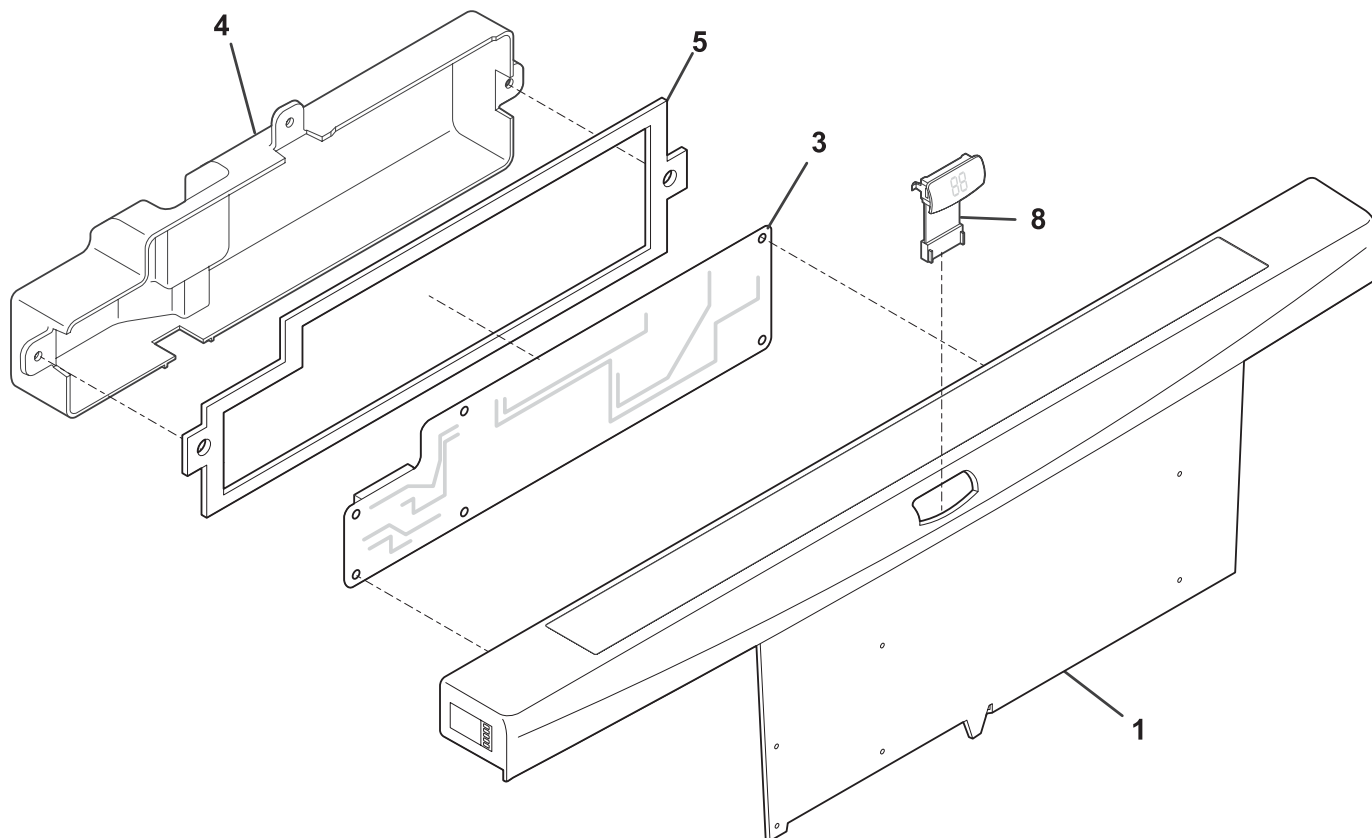
### **24-INCH BUILT-IN DISHWASHER**

Model No.  
**PLD4050RH**

Copyright © 2008 Electrolux Home Products, Inc.  
All rights reserved.

**CONTROL PANEL**

---



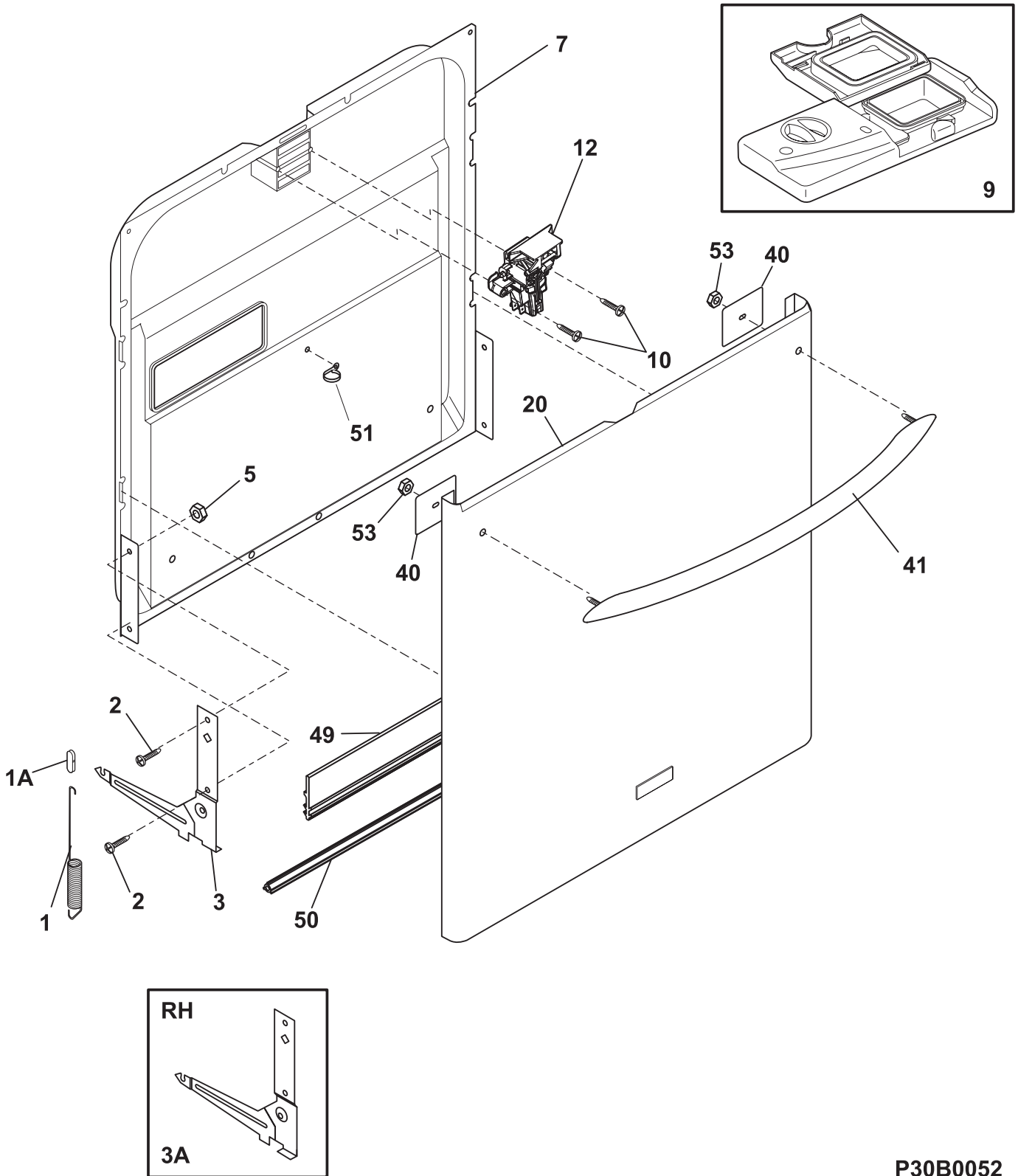
**P30C0161**

**CONTROL PANEL**

---

POS. NO	PART NO.	DESCRIPTION
1 #	154639211	Console Panel, assembly, stainless/black
3 #	154543602	Board, control
4	154718801	Cover, control
5	154718901	Gasket, control cover
8 #	154543401	Board, display
* #	154597601	Harness, wiring, main
*	154678521	Energy guide label
*	154294701	Screw, #7 plas .375, (6), disp. assy.
*	154409401	Screw, #8-18 x .375

**DOOR**



**P30B0052**

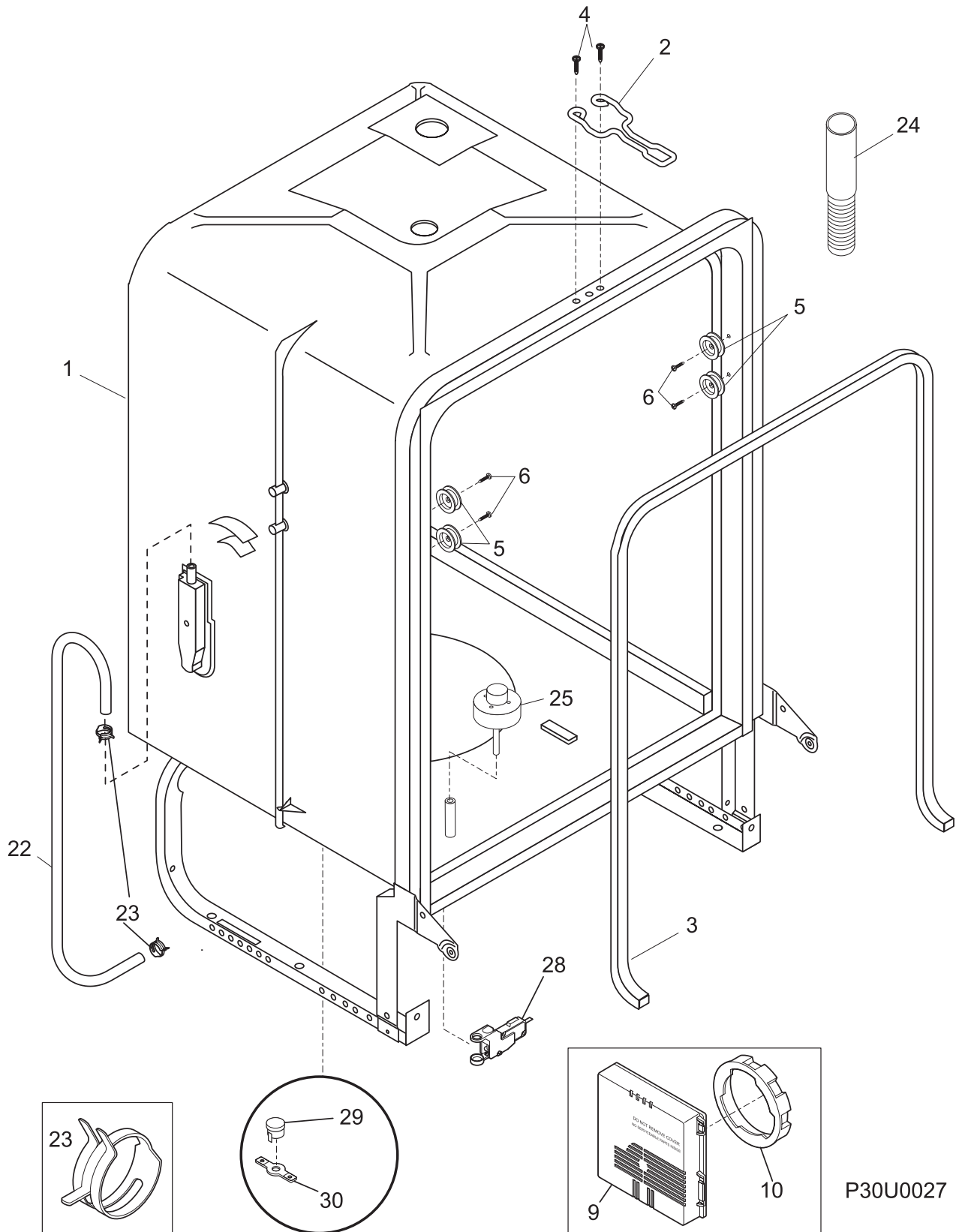
---

**DOOR**


---

POS. NO	PART NO.	DESCRIPTION
1	154430601	Spring, door, (2)
1A	154325201	Linkage, door spring, (2)
2	154093301	Screw, arm assy, (4)
3	154598201	Arm Assy, LH, w/foam
3A	154597701	Arm Assy, RH, w/foam
*	154529101	Pin, arm assy
5	154079601	Nut, arm assy, and handle mtg.
7	154494309	Liner, door assembly, white, complete
9	154542104	Dispenser, det/rinse aid, w/read
9*	154294701	Screw, #7 plas .375, (6), disp. assy.
10	154103702	Screw, latch mtg, (2)
12 #	154543901	Latch assy, black
20	154580701	Door Assy, outer, stainless, w/badge
20*	5304428306	Screw, door mtg., (2)
40	154585001	Backer, handle mtg, (2)
41	154543705	Towel bar assy, stainless
49	154576501	Gasket, door, bottom
50	154598501	Support, door hinge, w/foam
51	154320301	Clamp, drip loop, wire
53	154425001	Nut, Keps, (2), handle mtg.
*	154200601	Screw, #10-16 x 3/8
*	154409401	Screw, #8-18 x .375

TUB

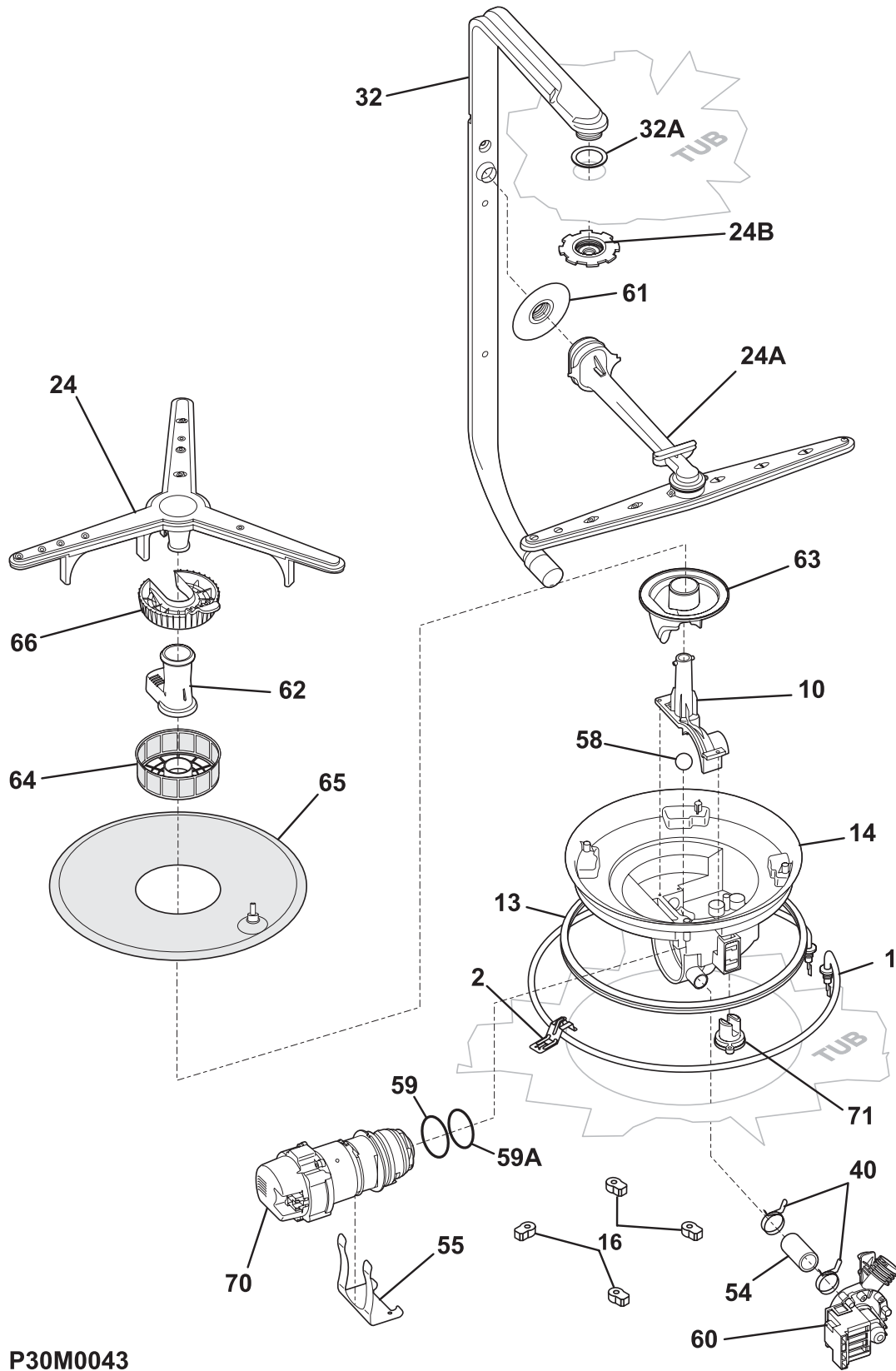


## TUB

---

POS. NO	PART NO.	DESCRIPTION
1 #	154643301	Tub assy, w/frame parts, white, & vent hole
2	154544601	Strike, door
3 #	154561001	Gasket, tub
4	154200602	Screw, 10-16 x 3/8, hex
5	154333902	Roller, tub
6	5303943103	Screw, w/washer, (8)
9 #	154682301	Vent assy, blower
9* #	154682201	Harness, wiring, vent assy
9*	154691601	Cover, connector, vent assy
10	154562902	Bezel, vent, gray
22	154446002	Tubing, water inlet
23	5303318539	Clamp, tubing, (2)
24 #	154606701	Hose, drain
25 #	154209701	Float
28	154408701	Switch Assy, float
29 #	154642901	Thermostat, hi limit
30	154241101	Retainer, thermostat
30*	154297701	Screw, retainer-thermo
*	154528701	Cabinet Seal Kit
*	154635001	Insulation, blanket
*	154635101	Insulation, back
*	154685101	Gasket, tub, corner, (2)
*	154598801	Foam, tub, (2)
*	5300807270	Screw, (2), countertop mtg.
*	154041001	Screw, plask #1, 10-10 x 9/16

**MOTOR & PUMP**

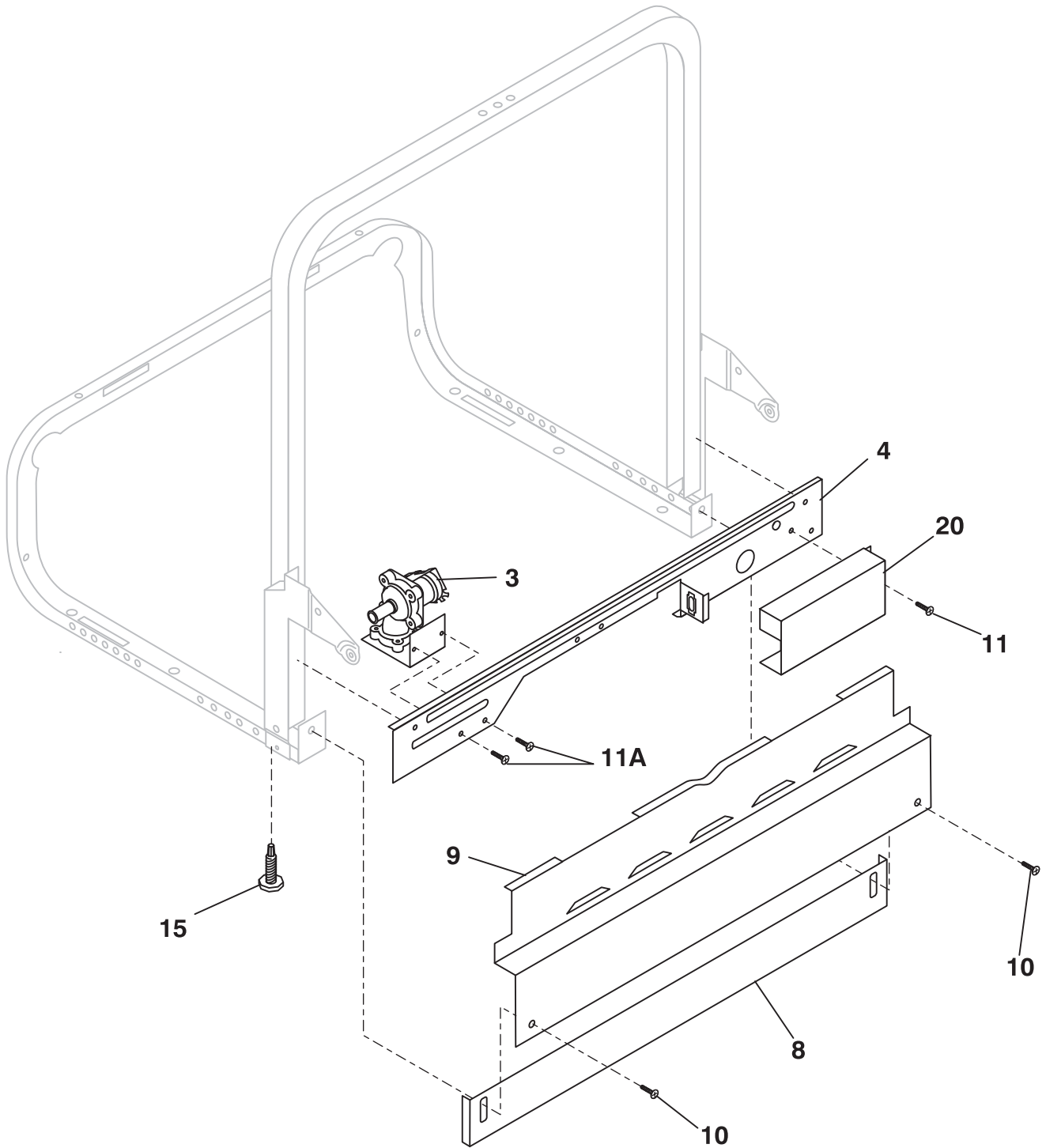




**MOTOR & PUMP**

POS. NO	PART NO.	DESCRIPTION
1 #	154482901	Heater, round
1*	154106202	Nut, heater, (2)
1*	154289801	Shield, heater terminal
2	154465101	Bracket, heater, (2)
10	154245501	Cover, volute
13	154246801	Gasket, sump
14	154461902	Housing, sump
16	154246502	Retainer, sump
24	154467702	Spray arm, grey, lower
24A	154468502	Spray arm, grey, center
24B	154520601	Nozzle, shower, assembly
32	154464101	Tube, delivery
32*	154491101	Screw, delivery tube
32A	154406401	Gasket, delivery tube
40	154106801	Clamp, hose, 1.29" open, worm gear, (2)
40*	154380601	Clamp, hose, 1.5" open, worm gear, (5)
54	154491201	Hose, connector, drain pump
55	154595901	Bracket, motor
55*	5303316032	Screw, truss ss, 8 .625, (7)
58	154246402	Check ball
59	154246901	O-ring, rear
59A	154247001	O-ring, front
60 #	154580301	Pump Assy, drain
61	154463402	Grommet, delivery tube
62	154294102	Support, spray arm, grey, lower
63	154252201	Base, soil director
64	154252302	Filter, soil director, grey
65	154283005	Filter Assy, grey
66	154252702	Trap, glass, grey
70 #	154683201	Motor & Pump Assy
71 #	154473901	Sensor, turbidity
71*	154376001	O-ring, turbidity
*	154200601	Screw, #10-16 x 3/8

**FRAME**



**P30F0022**

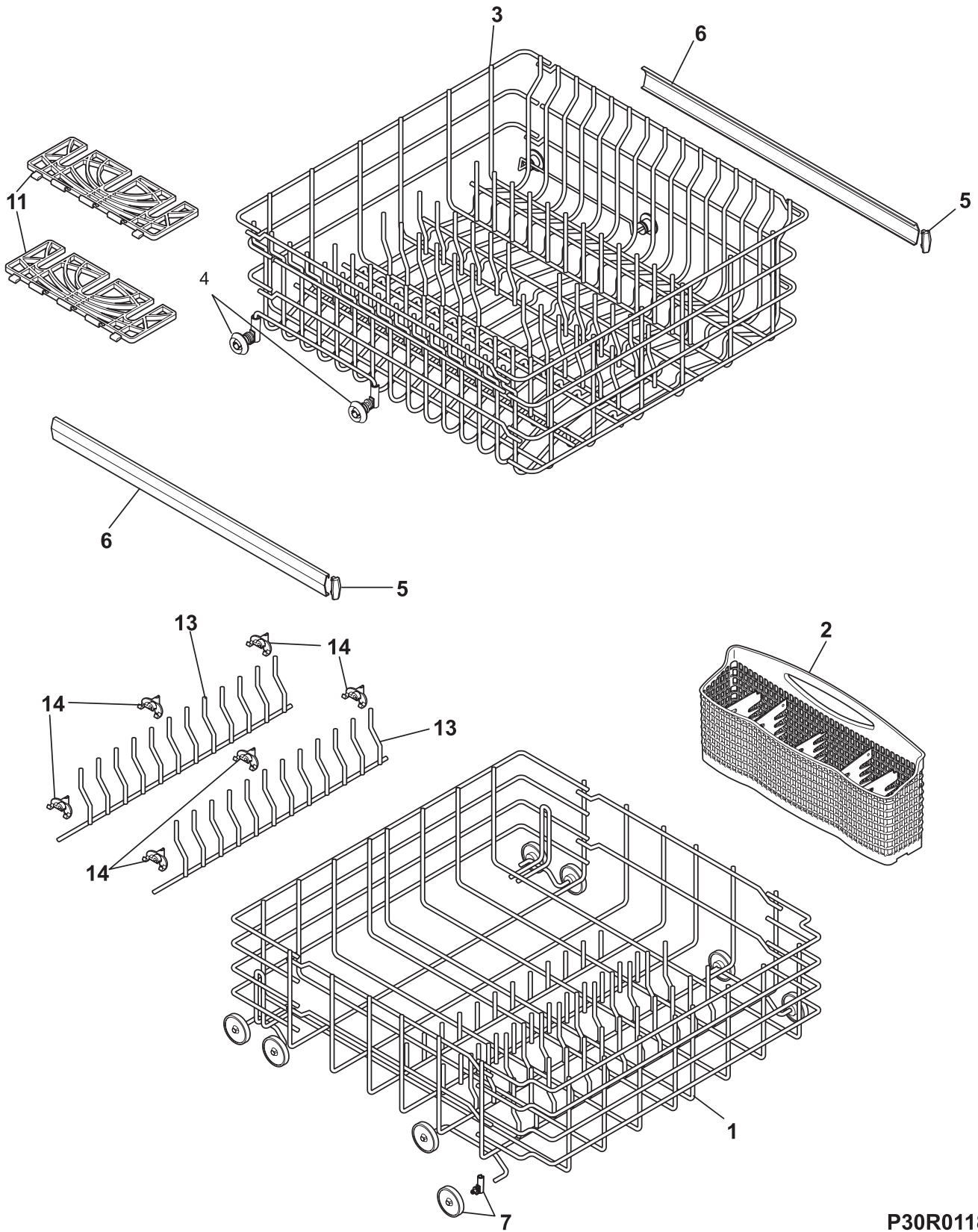
---

**FRAME**


---

POS. NO	PART NO.	DESCRIPTION
3 #	154637401	Valve, water
4	154669301	Brace, front frame
8	154589403	Toeplate, adjustable, black
9	154589503	Kickplate Assy, black
10	5300808658	Screw, #8A x .375", black
11	154200701	Screw, #10-32 x 3/8
11A	154200601	Screw, #10-16 x 3/8
15	154571101	Leg, leveling, (4)
20	154597001	Cover, junction box
*	154041001	Screw, plask #1, 10-10 x 9/16
*	154200602	Screw, 10-16 x 3/8, hex
*	154409401	Screw, #8-18 x .375

### RACKS



P30R0118

**RACKS**

---

POS. NO	PART NO.	DESCRIPTION
1	154432604	Rack assy, lower, grey
2	154556102	Basket, silverware, grey
3	154319529	Rack assy, upper
*	154548303	Nameplate, Frigidaire, grey, spacer
4	154522902	Wheel & bushing assy, grey, upper rack, (8)
5	5304440996	Cap, slide, grey, (4)
6	154597801	Slide, rack, upper, (2)
7	154174503	Wheel & bracket assy, grey, lower rack, (8)
11	154436104	Shelf, cup, half width, grey
13	154425503	Fence, fold down, grey, lower rack, (2), full length
14	154428402	Bracket, fold down fence, grey, lower rack, (6)