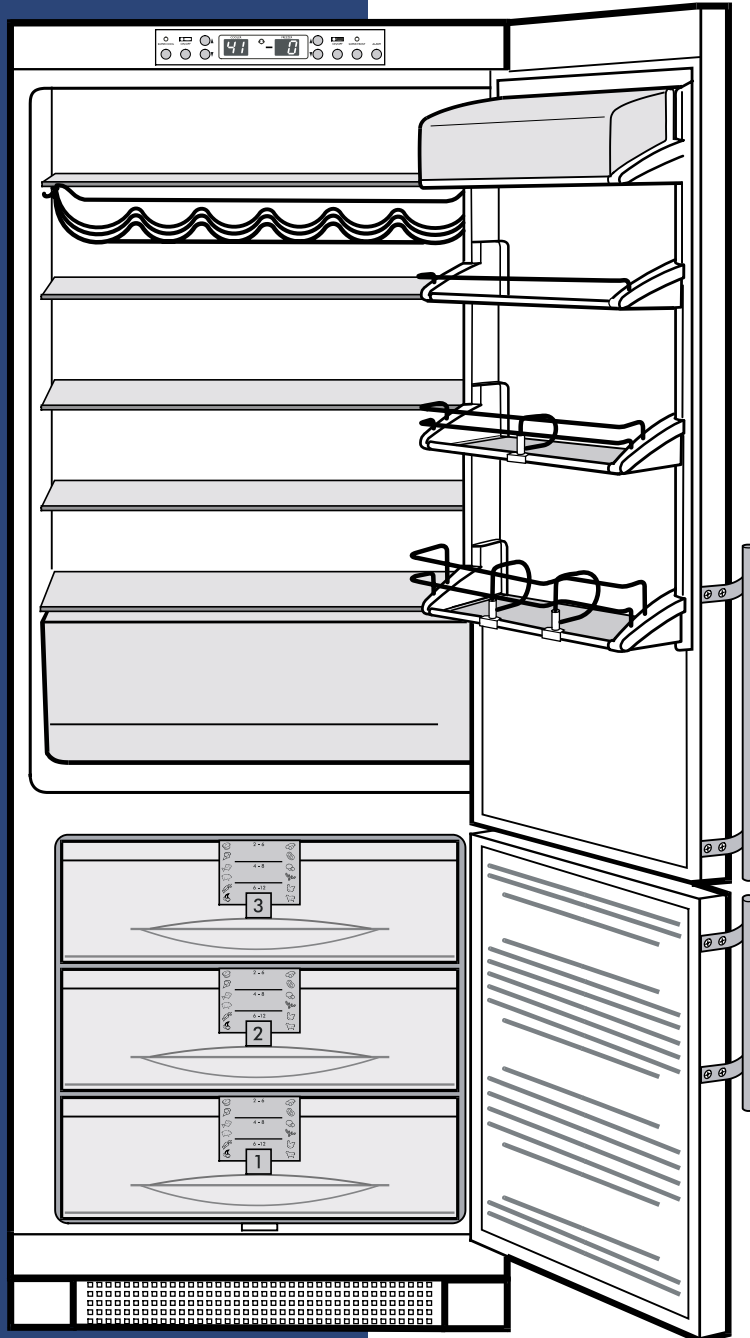


LIEBHERR



Installation Instructions

For Free Standing NoFrost
Combined Refrigerator-Freezers

CS 16
7080 009-00

IMPORTANT

PLEASE READ AND FOLLOW THESE INSTRUCTIONS

These instructions contain Warning and Caution statements. This information is important for safe and efficient installation.

Always read and follow all Warning and Caution statements!



WARNING

States a hazard that may cause serious injury or death if precautions are not followed.



CAUTION

Signals a situation where minor injury or product damage may occur if you do not follow instructions.

IMPORTANT

This highlights information that is especially relevant to a problem-free installation.

Make sure incoming voltage is the same as the unit rating.

To reduce the risk of fire, electric shock, or personal injury, installation work and electrical wiring must be done by a qualified electrician in accordance with all applicable codes and standards, including fire-rated construction.

TO THE INSTALLER

It is very important that the guidelines and instructions are followed in the manual to ensure proper installation and operation of the unit. The Installation Guidelines section contains important information for making sure the installation is correct. Read and understand all the information in Installation Guidelines, and in this manual before the unit is installed.

Contents.....	Page
Installation	
Dimensions	4
Leveling the Refrigerator	4
Reversing Door Hinges.....	5
Installing	6
Blocking For Safety	7

INSTALLATION GUIDELINES

Area Requirements

Verify the following:

- Floors can support refrigerator's weight plus approximately 1200 pounds (544 kg) of food weight.
- Finish kitchen floor height is level. Refrigerator must be shimmed to the floor level if the floor heights are not equal to make sure air vents are not obstructed.
- Remove anything attached to rear or side walls that can obstruct refrigerator opening.
- Cutout dimensions are accurate.
- Electrical outlet is in correct location.

Do not install this refrigerator-freezer next to any other refrigerator or model except another Liebherr model. Liebherr models are designed to allow side-by-side installation. They are equipped with a heating system to eliminate condensation when refrigerators or freezers are installed side-by-side. Installing this refrigerator-freezer next to any other refrigerator or freezer can cause condensation or cause damage to the Liebherr refrigerator-freezer.

Electrical Requirement

If codes require a separate grounding circuit to be used, have a qualified electrician install the circuit.



WARNING

Do not ground to a gas pipe. Check with a qualified electrician if you are not sure the appliance is properly grounded. Do not have a fuse in the neutral or grounding circuit.



WARNING

ELECTRICAL SHOCK HAZARD

- Electrically ground refrigerator.
- Do not use an extension cord.
- Failure to follow these instructions could result in fire or electrical shock.



WARNING

ELECTROCUTION HAZARD

- Electrical Grounding Required. This appliance is equipped with a three-prong (grounding) polarized plug for your protection against possible shock hazards.**
- DO NOT remove the round grounding prong from the plug.
 - DO NOT use a two-prong grounding adapter.
 - DO NOT use an extension cord to connect power to the unit.

Customer's Responsibility

A 115 Volt, 60 Hz, 15 Amp (20 Amp for side-by-side installation) fused electrical supply is required. We recommend using a dedicated circuit for this appliance to prevent electrical overload. Follow the National Electrical Code and local codes and ordinances when installing the receptacle.

Blocking For Safety

The anti-tip brackets must be installed to prevent the unit from tipping after it is installed. Refer to Blocking For Safety.

Unit Venting

DO NOT restrict the air flow. Air flow must be provided for the unit to operate. The factory air vents provide 31 square inches (200 cm²) of air flow. If you are replacing the factory air vents with an overlay, the air flow must be the same or greater than the factory air vents.

INSTALLATION

⚠ CAUTION

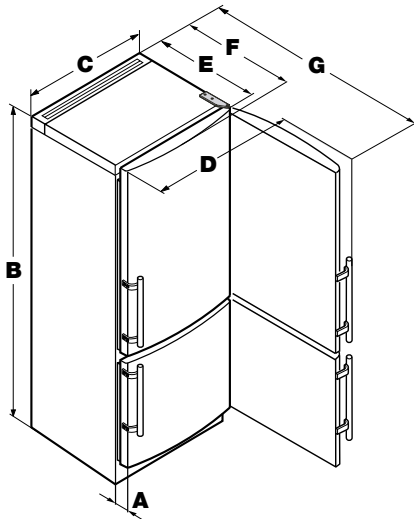
To protect the refrigerator from possible damage, allow the appliance to stand 1/2 to 1 hour in place before turning the electricity on. This allows the refrigerant and system lubrication to reach equilibrium.

Dimensions

The **external dimensions** for the CS 16 appliance can be seen in **Figure 1**.

IMPORTANT

If you are replacing the factory air vent with an overlay, **DO NOT** restrict the air flow. The air flow must be the same or greater than the factory air vent of 31 square inches (200 cm²).



- A. 2-1/4" (57.5 mm)
- B. 81-11/32" (2066 mm)
- C. 29-1/2" (750 mm)
- D. 31-3/8" (797 mm)
- E. 23-1/4" (590 mm)
- F. 24-13/16" (630 mm)
- G. 51-25/32" (1315 mm)

Figure 1

Leveling the Refrigerator - Figure 2

1. Loosen the lower air vent screws (**Fig. 2, 1**).
The height can be adjusted in front by twisting the leveling wheels (**Fig. 2, 2**).
2. Twist the adjusting bolt (**Fig. 2, 3**) to set up the back of the refrigerator.
3. Rotate leveling until firmly in place against the floor.
4. Align refrigerator with sides of kitchen cabinets by adjusting leveling wheels and the supports.
5. Install the air vent.

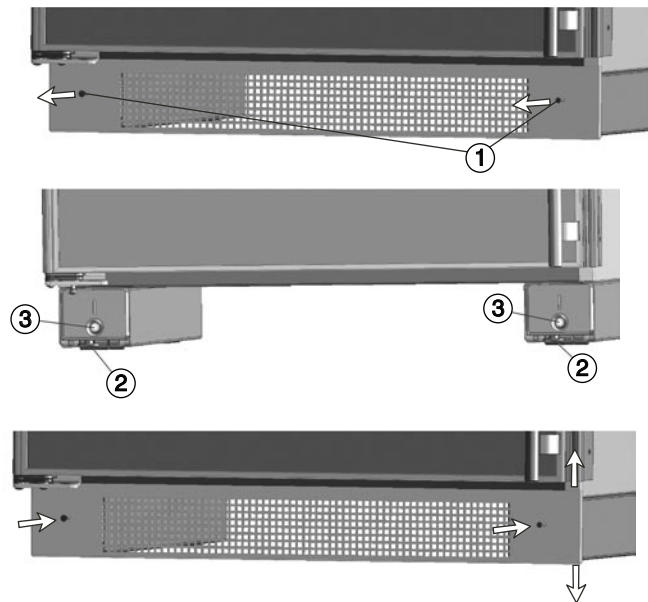


Figure 2

INSTALLATION

Reversing Door Hinges - Figure 3

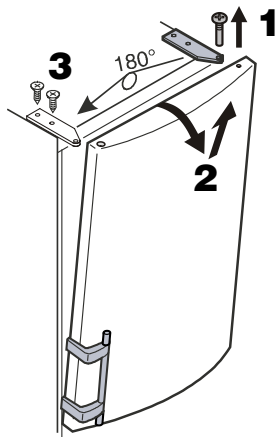


Figure 3.1

1. Unscrew upper hinge pin.
2. Lift off upper door.
3. Unscrew upper hinge plate, turn it 180° and screw on the opposite side.

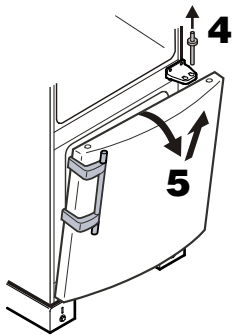


Figure 3.2

4. Pull out middle hinge pin.
5. Lift off lower door.

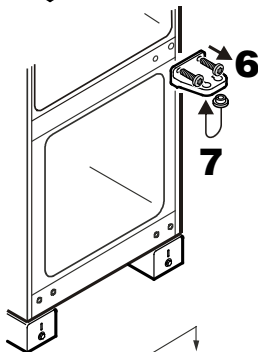


Figure 3.3

6. Unscrew middle hinge bracket.
7. Transfer sleeve to the opposite hole of bracket.

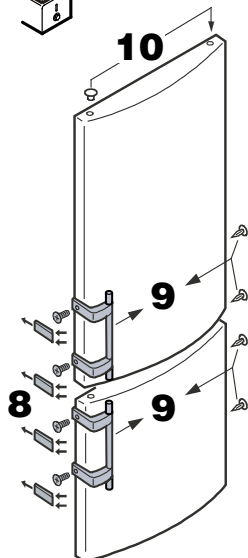


Figure 3.4

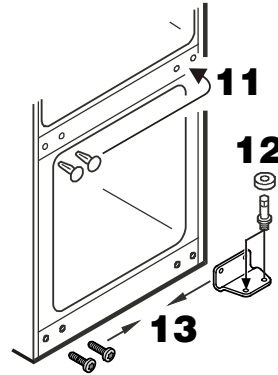
8. Pry out pressure plates at the front and slide away.
9. Transfer door handles and plugs to the other side. Reattach pressure plates.
10. Transfer plug to the opposite side of the door.



CAUTION

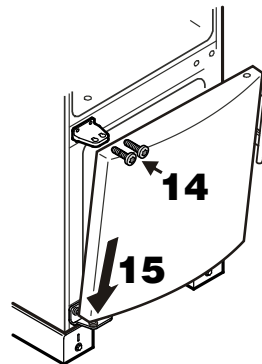
Secure doors to prevent personal injury and to prevent the doors from falling down.

Figure 3.5



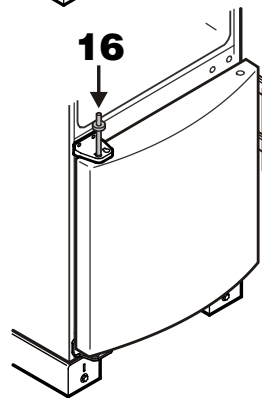
11. Transfer plugs to the opposite side.
12. Unscrew lower hinge bracket and transfer hinge pin to the opposite hole.
13. Reassemble lower hinge bracket on the left side of the unit.

Figure 3.6



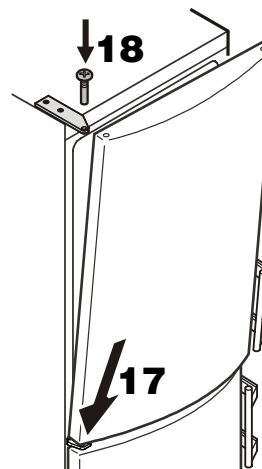
14. Reassemble middle hinge bracket on the left side of the unit.
15. Suspend lower door on hinge pin and close door.

Figure 3.7



16. Push in middle hinge pin.

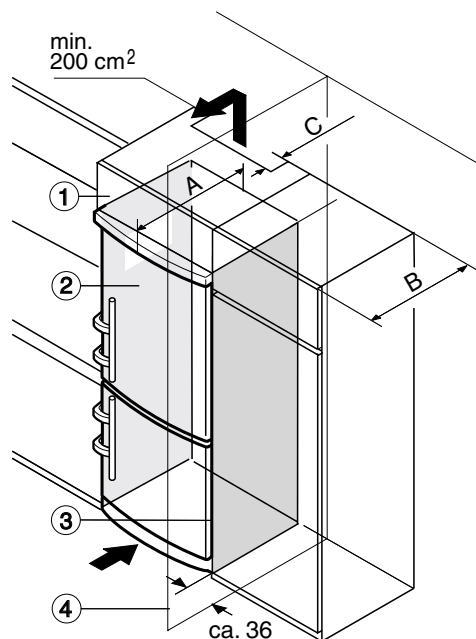
Figure 3.8



17. Suspend upper door on middle hinge pin and close door.
18. Insert upper hinge pin and tighten.

INSTALLATION

Installing - Figure 4



- (1) Top unit
- (2) Refrigerator/freezer
- (3) Kitchen unit side panel
- (4) Wall

- A. 24-13/16" (630 mm)
- B. 22-13/16" (580 mm)
- C. 2" (51 mm)

Figure 4

The appliance can be installed in a row of kitchen units. To adapt the height of the appliance to the surrounding furniture a top unit (**Fig. 4, 1**) can be added.

A gap of at least 2 inches (51 mm) depth must be provided behind and along the entire width of this unit to ensure sufficient ventilation. The area of ventilation above the unit should be at least 18 square inches (116 cm²). The greater the area the more economically the appliance will run.

1. When installing with standard kitchen units, maximum depth of 22-13/16 inches (580 mm) and decor panels of maximum 1/16 inch (2 mm) thickness, the appliance can be set up right next to the kitchen unit. The door protrudes 1-5/16 inches (34 mm) from the side of the kitchen unit and 2 inches (51 mm) at the front. This enables it to be opened and closed without difficulty.
2. When setting up the appliance next to a wall (**Fig. 4, 4**), a minimum distance of 1-7/16 inches (36 mm) must be provided on the hinge side between the appliance and the wall (for the handle when the door is open).
3. If you wish to attach the appliance to adjacent units or to fit a spacer between the appliance and the wall, please note the following:
 - Verify that the door can open and close properly.
 - **Do not drill any holes in the side walls in Figure 4.** Liebherr refrigerator/freezer combinations are equipped with a heating element to eliminate condensation when units are installed side by side. This element and foamed components can be damaged.

BLOCKING FOR SAFETY

Figure 5: Secure the appliance in place so it does not tip forward when the fully stocked door is opened. Two anti tipping brackets are included with the unit.

1. Mark the center of the appliance on the back wall.
2. Also mark the install height of the tipping brackets on the back wall. (Min. 3-3/8", Max 4").
3. Screw the first anti tipping bracket in a wall stud, make sure that it is within the 9-1/2" (241 mm) right or left from the center line of the appliance. The screws has to extend a minimum of 1-1/2" (38 mm) into the studs.
4. Place the second anti tipping bracket in a stud or in the wall using proper anchor material but within the maximum distance of the center line 9-1/2" (241 mm).
5. Push the appliance against the back wall.
6. Using the adjustable roller base, raise the unit until the compressor mounting plate makes contact with the brackets. Make sure the front levelers are firmly on the floor to prevent appliance from tipping forward. Refer to "Leveling the Refrigerator" Fig. 2.

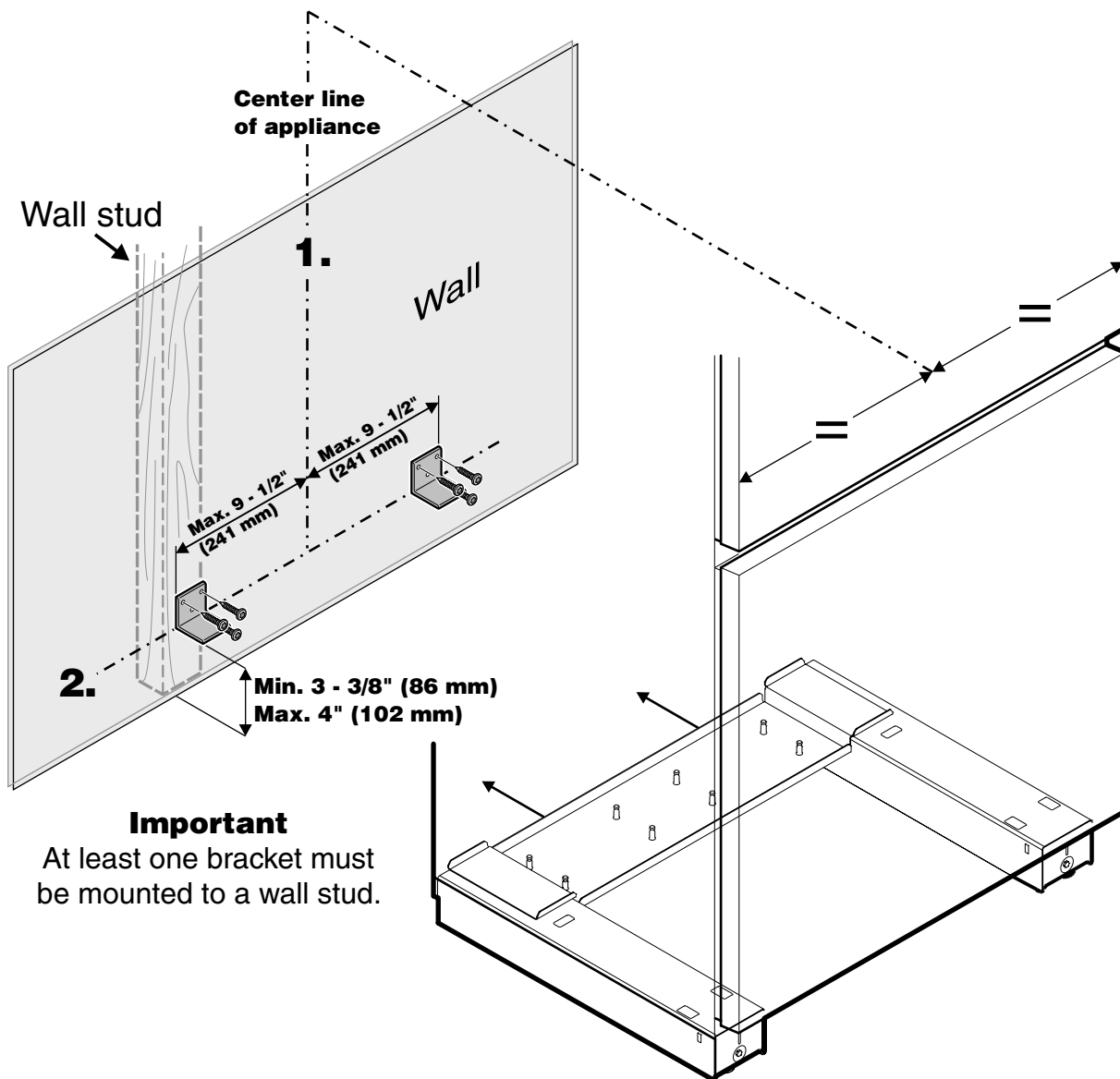


Figure 5