

Fig. 6

| | Inches | mm |
|---|---------|-----|
| A | 1 9/16" | 45 |
| B | 8 1/4" | 210 |
| C | 8 1/2" | 215 |
| D | 1/8" | 22 |

| Hobs models | P310... | Hobs models | P310... |
|------------------------|---------------------------------|------------------------|--------------------------|
| <i>Min. Clearances</i> | <i>inches (mm)</i> | <i>Min. Clearances</i> | <i>inches (mm)</i> |
| L1 | 18 5/16" ÷ 20 15/16 (465 ÷ 532) | L10 | 33" ÷ 35 3/8 (838 ÷ 899) |
| L2 | 1 9/16" (40) | L11 | 32" (813) |
| L3 | 3 3/8" (86) | W | 35 13/16" (910) |
| L4 | 18" (457) | D | 21 11/16" (550) |
| L5 | 24" (610) | B1 (*) | 3/8" (10) |
| L6 | 13" (330) | B2 (*) | 2 1/2" (65) |
| L7 | 35 13/16" (910) | B3 (*) | 2" (51) |
| L8 | 3/4" (20) | B4 (*) | 2 1/2" (65) |
| L9 | 3 15/16" (100) | R | 5 1/8" (135) |

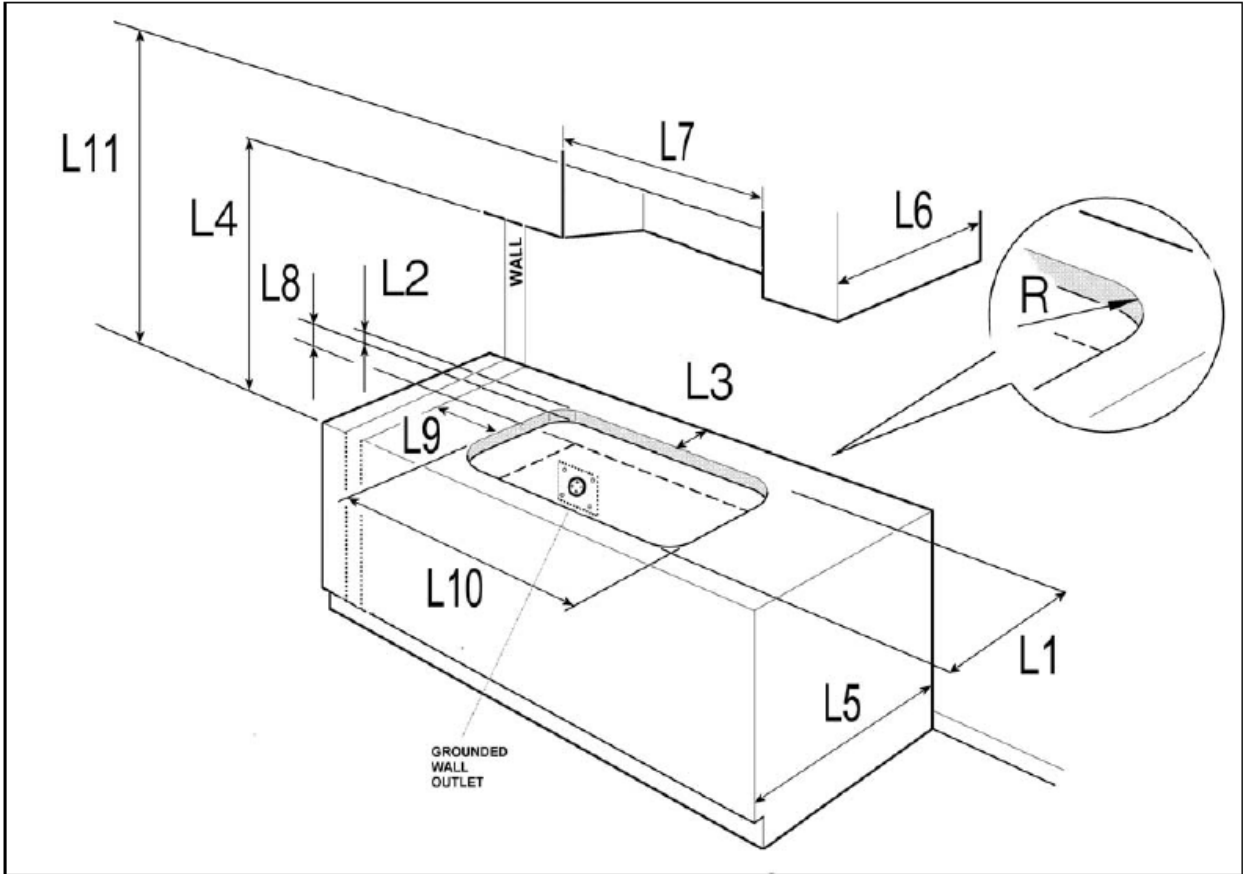


Fig. 1

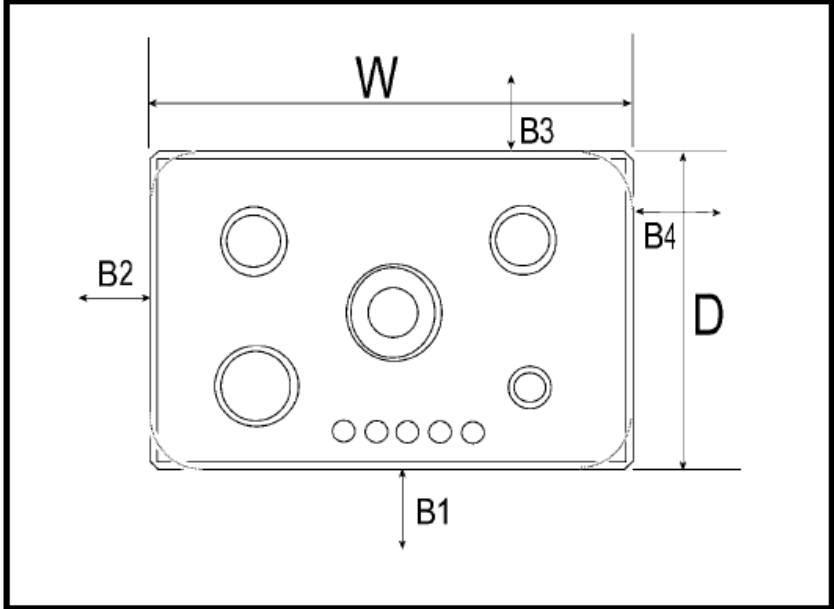


Fig 2