



**Built-In Model 601F
All Freezer**

When coupled with an all refrigerator Model 601R or 601RG, the all freezer Model 601F offers maximum refrigeration capacity. The automatic ice maker has a large storage drawer for easy access to the crescent-shaped ice. Model 601F is available in the framed, overlay and stainless steel design applications and in three stainless steel finishes.



Classic Stainless Steel



Framed



Overlay

Features

- Framed, overlay and stainless steel design applications
- Stainless steel design available in classic, platinum and carbon finishes
- Electronic digital controls
- Bright interior lighting
- Adjustable wire shelves and adjustable door shelves
- Door alarm
- Automatic ice maker
- Front venting allows unit to be completely built in and serviced from the front
- Meets strict Department of Energy requirements

Model Options

Model Options	601F/F	601F/O	601F/S	601F/P	601F/B
Design/Finish	Framed	Overlay	Classic	Platinum	Carbon
Louvered Grille	■	■			
Heavy-Duty Stainless Steel Grille			■	■	■

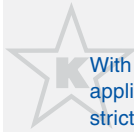
Interior Features

- **Freezer**
 - Automatic Ice Maker
 - 3 Adjustable Wire Shelves
 - 1 Stationary Glass Shelf
 - 3 Freezer Storage Drawers
 - 5 Adjustable Door Shelves

Accessories

- Front panels for framed design (white and classic stainless steel)
- Side panels in white and classic stainless steel)
- Extended full-length framed handles
- Stainless steel (classic, platinum and carbon) tubular handles for overlay design
- Polished chrome handle for overlay design
- 90° and 105° door stop kits

Accessories are available through your Sub-Zero dealer. To obtain local dealer information, visit the Locator section of our website, subzero.com.



With the installation of a harness kit, this appliance is certified by Star-K to meet strict religious regulations in conjunction with specific instructions found on www.star-k.org.



Classic



Platinum

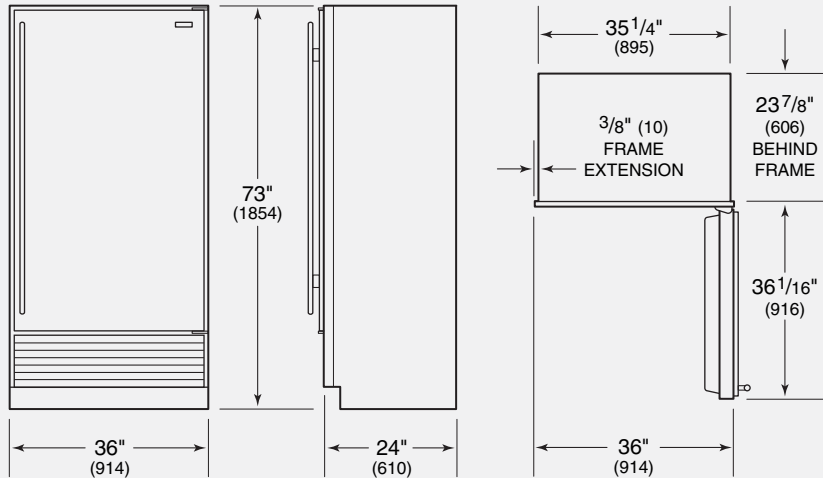


Carbon



**Built-In Model 601F
All Freezer**

Overall Dimensions



Unit dimensions may vary by $\pm 1/8$ ".

Specifications

Overall Width	36"
Overall Height	73"
Overall Depth	24"
Door Swing Clearance	36 1/16"
Specify Door Swing	LH or RH
Freezer Capacity	19.3 cu ft
Opening Width	35 1/2"
Opening Height	72 3/4"
Opening Depth	24"
Electrical Requirements	115 V AC, 60 Hz 15 amp dedicated circuit
Plumbing Requirements	1/4" OD copper line 20–100 psi
Annual Energy Usage	\$67*
Shipping Weight	Framed – 378 lbs Overlay – 378 lbs Stainless Steel – 406 lbs

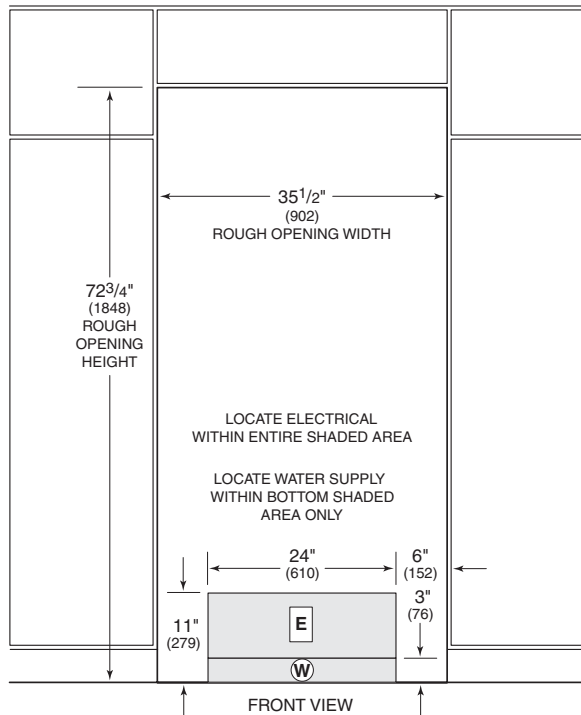
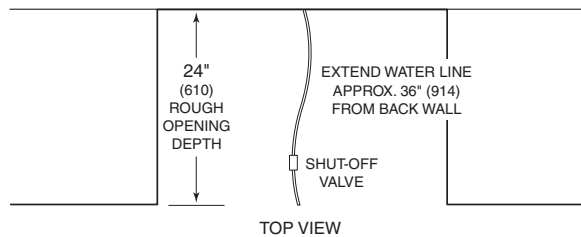
*Based on 9.06 cents per kilowatt hour.

Installation Notes

For framed and overlay models, you will be adding door panels for a custom look. Overlay models also allow you to match surrounding cabinetry hardware.

Complete installation specifications, including panel sizes, can be found on our website, subzero.com.

Installation Specifications



Dimensions in parentheses are in millimeters unless otherwise specified.