

Frigidaire

Factory Parts Catalog

Product No.	FGGF3054KBA	FGGF3054KWA
Series	30" f/s gas	30" f/s gas
Color	black	white
Market	North America	North America
Owner's Guide	316901200	316901200
Installation Instructions	316259343	316259343
Service Data Sheet	316904000	316904000

 **Electrolux**

Electrolux Major Appliances
North & Latin America
P.O. BOX 212378
AUGUSTA, GA 30917

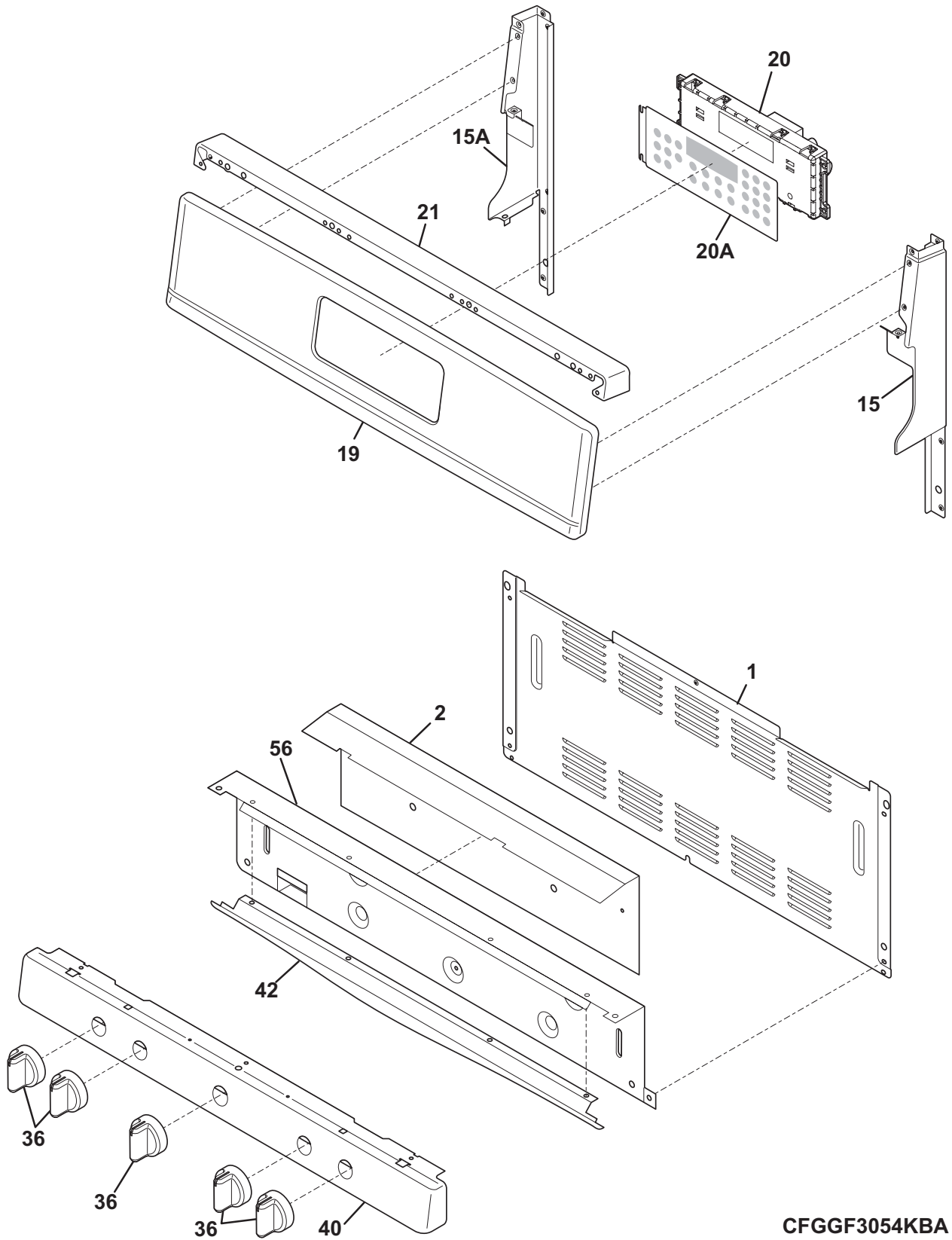
Publication No.
5995538393
09/04/17
(EN/SERVICE/ECL)
369

**30-INCH FREE-
STANDING GAS
RANGE**

Model No.
FGGF3054K

Copyright © 2009 Electrolux Home Products, Inc.
All rights reserved.

BACKGUARD



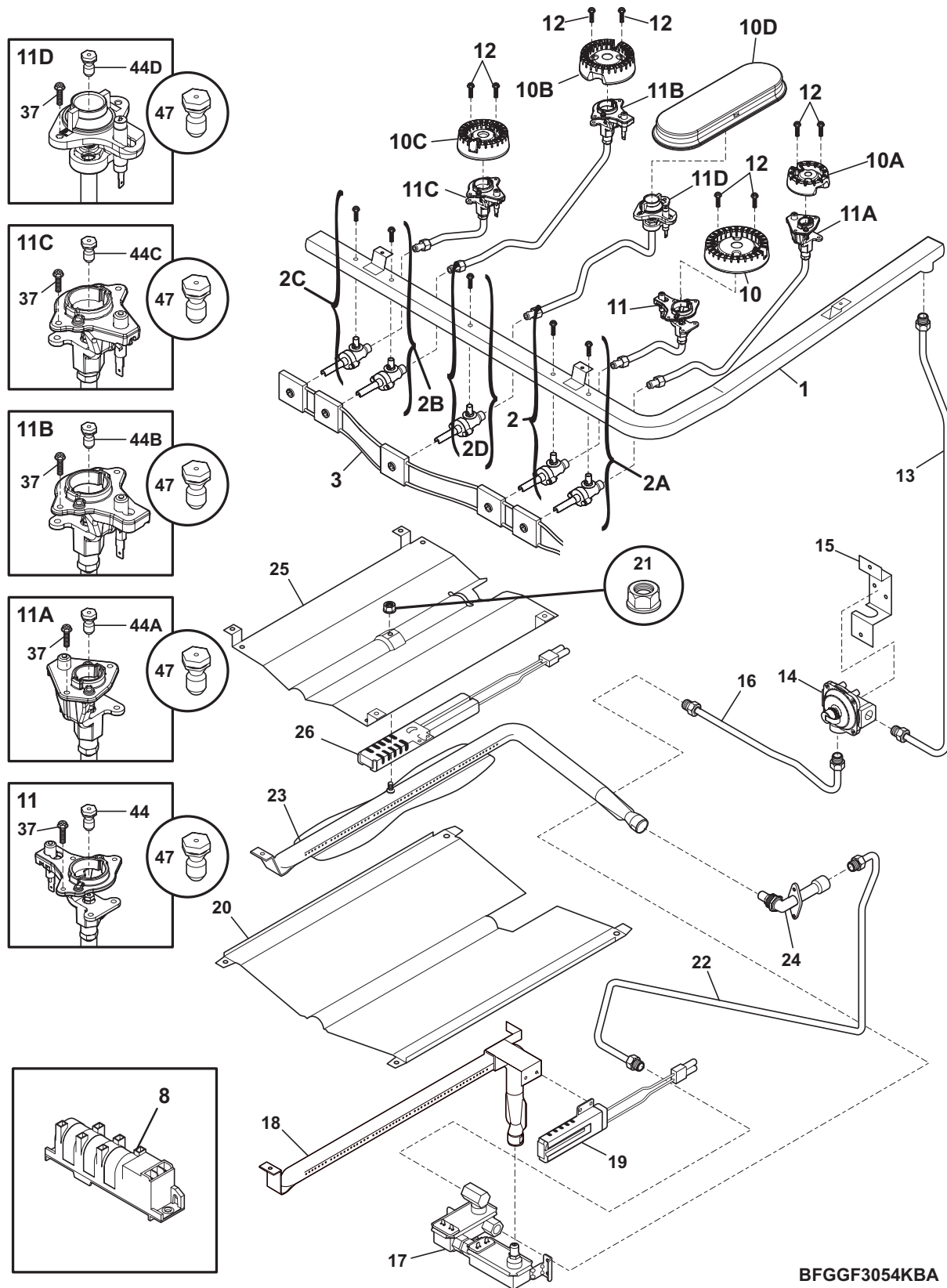
CFGGF3054KBA

BACKGUARD

Model Index: A FGGF3054K (FGGF3054KWA)
 B FGGF3054K (FGGF3054KBA)

POS. NO	PART NO.		DESCRIPTION
1	316557600	A B	Shield, rear wall
2	316497601	A B	Shield, backguard, inner
15	316546704	A -	Cap, backguard, white, RH end
15	316546702	- B	Cap, backguard, black, RH end
15A	316546705	A -	Cap, backguard, white, LH end
15A	316546703	- B	Cap, backguard, black, LH end
19	316572407	A -	Panel, backguard, white
19	316572408	- B	Panel, backguard, black
20 #	316560106	A B	Controller, electronic, ES540
*	316021110	A B	Screw, 8-18 x 0.5, black
20A#	316419820	A -	Overlay, clock, white, ES540
20A#	316419821	- B	Overlay, clock, black, ES540
21	316546602	A -	Cap, backguard, white, top
21	316546601	- B	Cap, backguard, black, top
36	316545004	A -	Knob, top valve, white, (5)
36	316564507	- B	Knob, top valve, black, (5)
40	316447392	A -	Panel, manifold, white
40	316447390	- B	Panel, manifold, black
*	316021108	A B	Screw, cup pt, 8-18 x 0.375, chrome
*	316021109	A B	Screw, 8-18 x 0.5, chrome
42	316416201	A -	Trim, extrusion, gray
42	316416200	- B	Trim, extrusion, black
56	316230701	A B	Shield, backguard, inner
*	316021105	A B	Screw, hex head cup pt, 8-18 x 0.375, black
*	316089500	A B	Screw, 10-16 x .486

BURNER



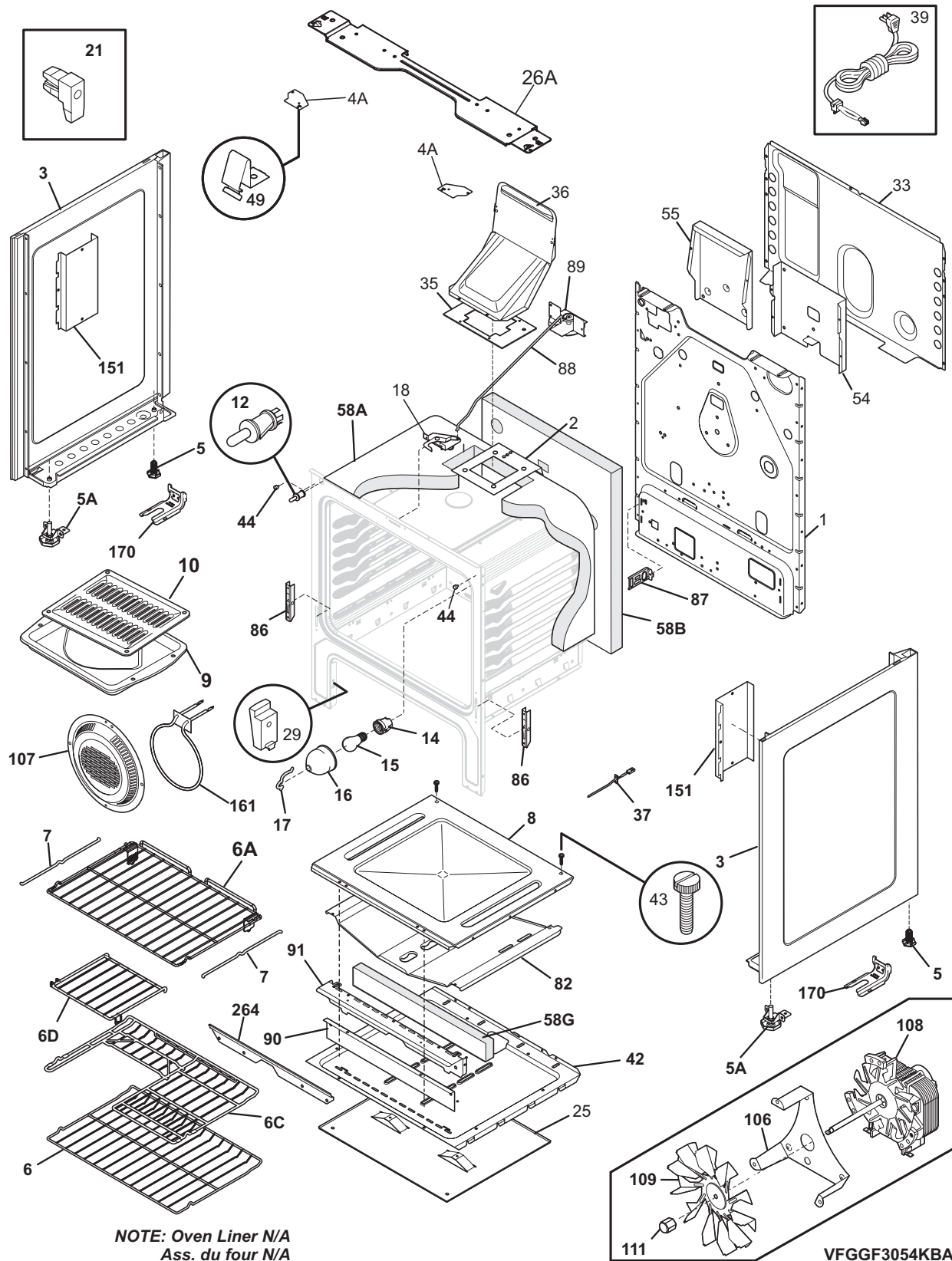
BFGGF3054KBA

BURNER

Model Index: A FGGF3054K (FGGF3054KWA)
 B FGGF3054K (FGGF3054KBA)

POS. NO	PART NO.		DESCRIPTION
1 #	316551202	A B	Manifold, pipe
2 #	5303935233	A B	Valve, 17K burner, w/mtg screw
2A #	5303935235	A B	Valve, 5K burner, w/mtg screw
2B #	5303935236	A B	Valve, 14K burner, w/mtg screw
2C #	5303935234	A B	Valve, 9.5K burner, w/mtg screw
2D #	5303935259	A B	Valve, 9.5K burner, center, w/mtg screw
*	316215600	A B	Screw, valve mtg., 1/4 - 20
3 #	316219023	A B	Wiring Harness, w/igntr switch
8 #	318079001	A B	Module, spark
*	316443200	A B	Bracket-support
*	316021109	A B	Screw, 8-18 x 0.5, chrome
10 #	316438400	A B	Burner, sealed, 16/17K
10A#	316438200	A B	Burner, sealed, 5K
10B#	316438600	A B	Burner, sealed, 14K
10C#	316527400	A B	Burner, sealed, 9.5K
10D#	316532001	A B	Burner, sealed, oval, 9.5K
11 #	316449603	A B	Ignitor/orifice assy, top burner, right front, 17K, w/tube & holder
11A#	316449500	A B	Ignitor/orifice assy., top burner, right rear, 5K, w/holder, tube
11B#	316548104	A B	Ignitor/orifice assy., top burner, left rear, 15K, w/holder, tube
11C#	316449302	A B	Ignitor/orifice assy., top burner, left front, 9.5K, w/tube & holder
11D#	316532601	A B	Ignitor/orifice assy., top burner, center, 9.5K, w/holder-tube
12	316529700	A B	Screw, burner head, mtg., (8)
13 #	316545700	A B	Tube, 3/8, aluminum, rgltr to manf, with fittings
14 #	316091706	A B	Regulator, pressure
14*	316021104	A B	Screw, hex, 8-18 x 3/8, nick, (3), regulator brkt
15	316091600	A B	Bracket, regulator
16 #	316431000	A B	Tube-valve to rgltr, 3/8
16 #	316431001	A B	Tube-valve to rgltr, 3/8
17 #	316404901	A B	Valve, safety
17*	316498100	A B	Shield, wire, safety valve
*	316089500	A B	Screw, 10-16 x .486
18 #	316404400	A B	Burner, oven
19 #	316489404	A B	Ignitor, oven burner
20	316401401	A B	Baffle, oven burner
21	5303013272	A B	Nut, hex head sems
22 #	316537100	A B	Tube-valve to mixer
23 #	316404304	A B	Burner, broiler
24 #	316409700	A B	Elbow, mixer
*	316021132	A B	Screw, 8-18 X 11/16, black, (3)
25	316401301	A B	Baffle, broil burner
26 #	316489403	A B	Ignitor, burner
26*	316401500	A B	Cover, broil Ignitor
37	316240600	A B	Screw, assy mtg, (8), ignitor/orifice
44 #	316527509	A B	Orifice, top burner, 17K
44A#	316527504	A B	Orifice, top burner, 5K
44B#	316527513	A B	Orifice, top burner, 15K
44C#	316527500	A B	Orifice, top burner, 9.5K
44D#	316237902	A B	Orifice, top burner, center, 9.5K
47 #	GRLP3	A B	LP Conversion Kit, w/instructions
47*	316417518	A B	Instructions, LP conversion
* #	316526902	A B	Harness, ignitor
* #	316064103	A B	Wire, ground assembly
*	316001003	A B	Screw, ground wire
*	316021105	A B	Screw, hex head cup pt, 8-18 x 0.375, black
*	316021110	A B	Screw, 8-18 x 0.5, black

BODY

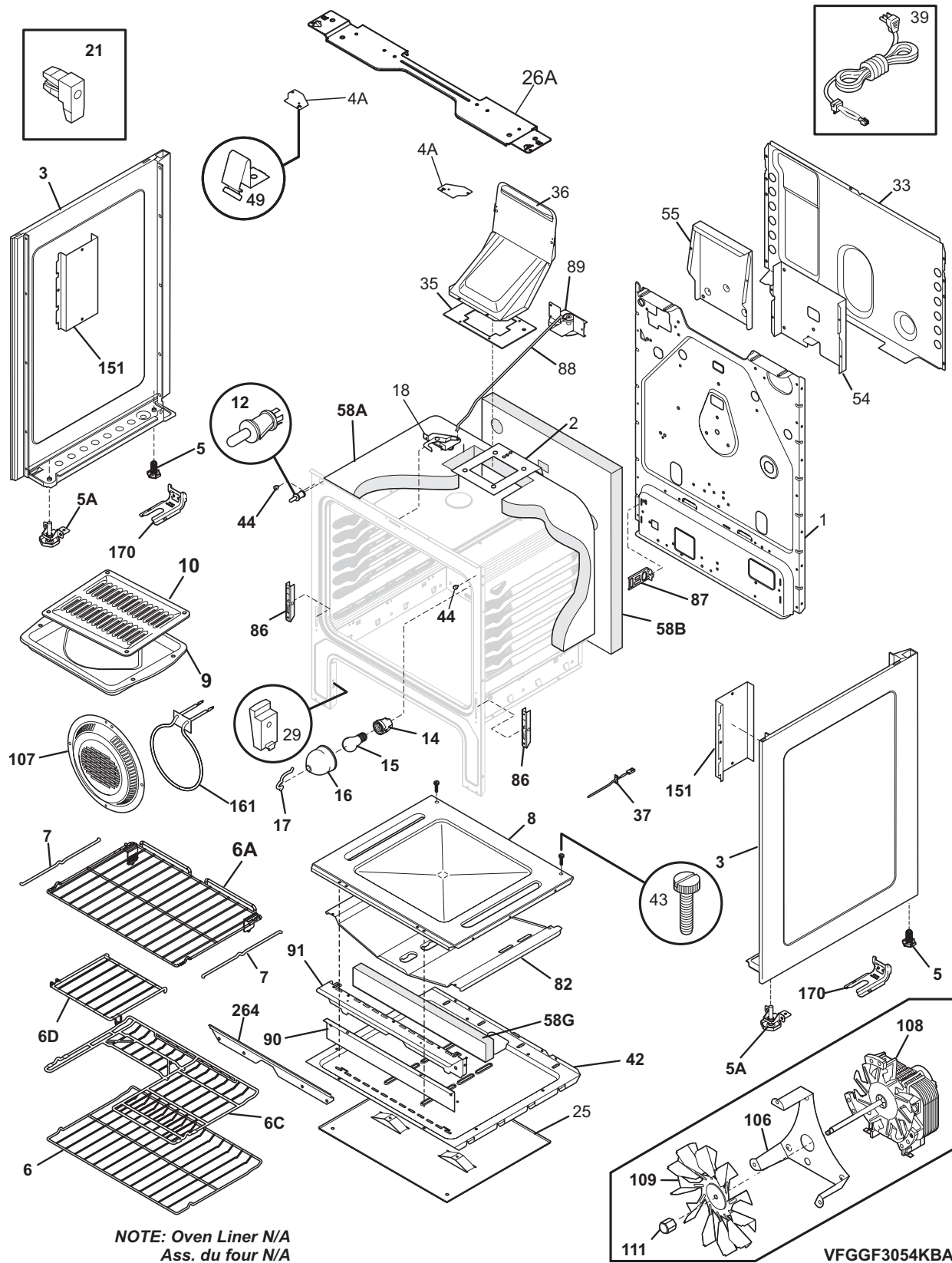


BODY

Model Index: A FGGF3054K (FGGF3054KWA)
 B FGGF3054K (FGGF3054KBA)

POS. NO	PART NO.		DESCRIPTION
1	316401600	A B	Back, main
*	316021109	A B	Screw, 8-18 x 0.5, chrome
2	316437100	A B	Brace, oven top
*	316021132	A B	Screw, 8-18 X 11/16, black, (3)
3	316400116	A -	Panel, bodyside, white, RH
3	316400117	A -	Panel, bodyside, white, LH
3	316400118	- B	Panel, bodyside, black, RH
3	316400119	- B	Panel, bodyside, black, LH
4A	316446900	A B	Bracket, chassis, front, (2)
5	316272900	A B	Screw, leveling, plastic, rear, (2)
5A	316498900	A B	Leveling Leg Assy, metal, front, (2), bracket & leg
6	316496207	A B	Rack, oven, (2)
6A	316556500	A B	Rack, oven, auto
6C	316425600	A B	Rack, half, oven
6D	316419400	A B	Rack, half insert, oven
7	316546300	A B	Link, coupler, (2), auto rack
8	316400603	A B	Panel, oven bottom
9	316081900	A B	Pan, broiler, OPTIONAL ACCESSORY
10	316082000	A B	Insert, broiler pan, OPTIONAL ACCESSORY
12	316445500	A B	Switch, oven light, door frame
14	316116400	A B	Receptacle, oven light
15	316538901	A B	Lamp, oven light
16	318406100	A B	Lens, oven light, glass
17	316087500	A B	Retainer, lens
18 #	316405800	A B	Latch Assembly, oven door
*	5303285179	A B	Screw, wafer head, 8-32T x 0.500, black
21	316408000	A B	Clip, bodyside
25	316406200	A B	Shield, heat, lower
26A	316498200	A B	Bracket-support, chassis, aluminum
29	316407301	A B	Glide, drawer, front
33	316402500	A B	Shield, rear wall
35	316542100	A B	Gasket-flue
36	316208901	A B	Flue
37 #	316490000	A B	Probe, oven temp
39 #	3131425	A B	Cord, electric power
42	316400700	A B	Shield, wool, lower
43	3131732	A B	Screw, 8-18 x 1.438, oven bottom
44	316517600	A B	Spacer, oven door
49	316260000	A B	Clip, maintop mtg, (2)
54	316404200	A B	Shield, heat
55	316404800	A B	Shield, flue
58A	316403700	A B	Insulation, oven wrapper
58B	316403600	A B	Insulation, oven back
58G	08067973	A B	Insulation, main front
82	316400801	A B	Shield, bake burner
82*	316432800	A B	Clip, wire
86	316537400	A B	Receptacle, hinge, (2)
*	316418900	A B	Screw, sims lp, #8-32 x 5/16", black
87	316401201	A B	Bracket, harness

BODY

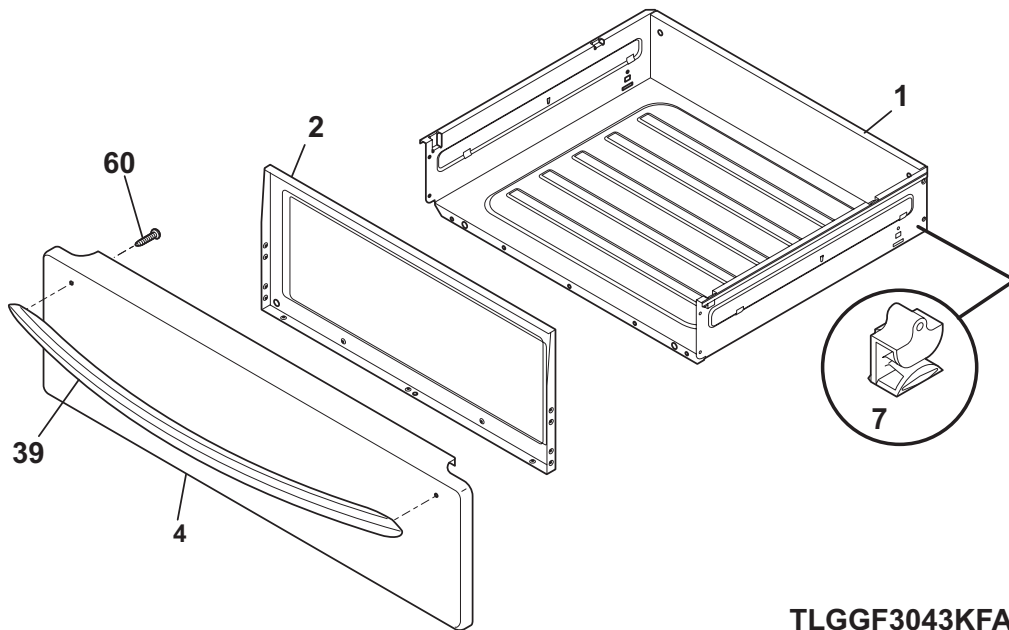
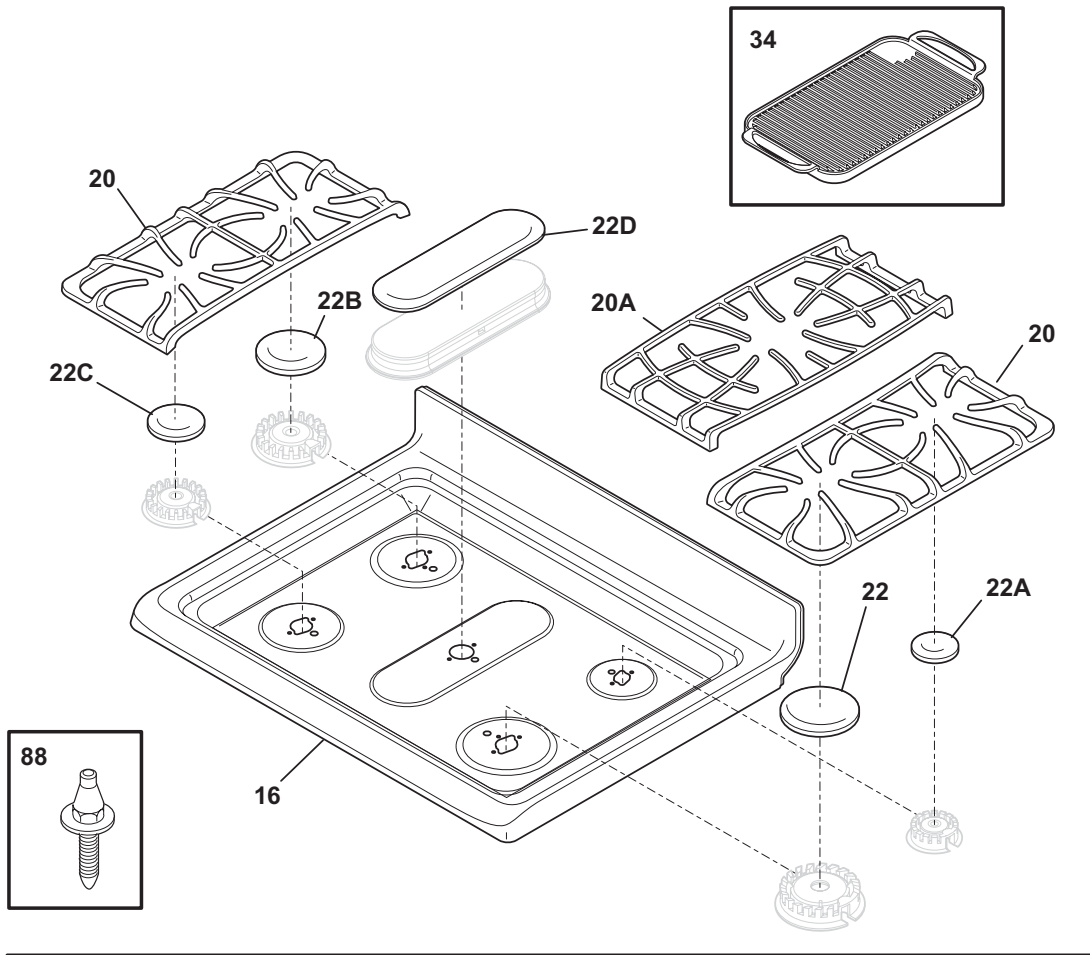


BODY

Model Index: A FGGF3054K (FGGF3054KWA)
 B FGGF3054K (FGGF3054KBA)

POS. NO	PART NO.		DESCRIPTION
88	316232700	A B	Rod, auto latch
89 #	316464300	A B	Motor-latch
90	316401100	A B	Shield, main front
91	316401000	A B	Shield, front, burner
106	316404100	A B	Bracket, motor mtg.
107	316026701	A B	Cover, fan
*	5303271648	A B	Screw, wafer hd sq dr, 8-18AB x 0.5
108#	316459100	A B	Motor-convection
*	316008401	A B	Washer, 3/4 OD x 1/4 ID, steel
109	316136400	A B	Blade, fan
111	316136600	A B	Nut, fan retainer
151	316404600	A B	Shield, bodyside
161#	316211603	A B	Element, convection fan, 350 W
170	316112004	A B	Anti Tip Kit, assembly
170*	316107200	A B	Bracket, anti-tip
170*	316116000	A B	Screw, concrete, 1.75", anti-tip brkt
170*	316541700	A B	Template, anti-tip
264	316404700	A B	Bracket, air dam
* #	316512549	A B	Harness Wiring, main
*	316539800	A B	Retainer, wire
*	316001003	A B	Screw, ground wire
*	316021105	A B	Screw, hex head cup pt, 8-18 x 0.375, black
*	316021110	A B	Screw, 8-18 x 0.5, black
*	316089500	A B	Screw, 10-16 x .486

TOP/DRAWER



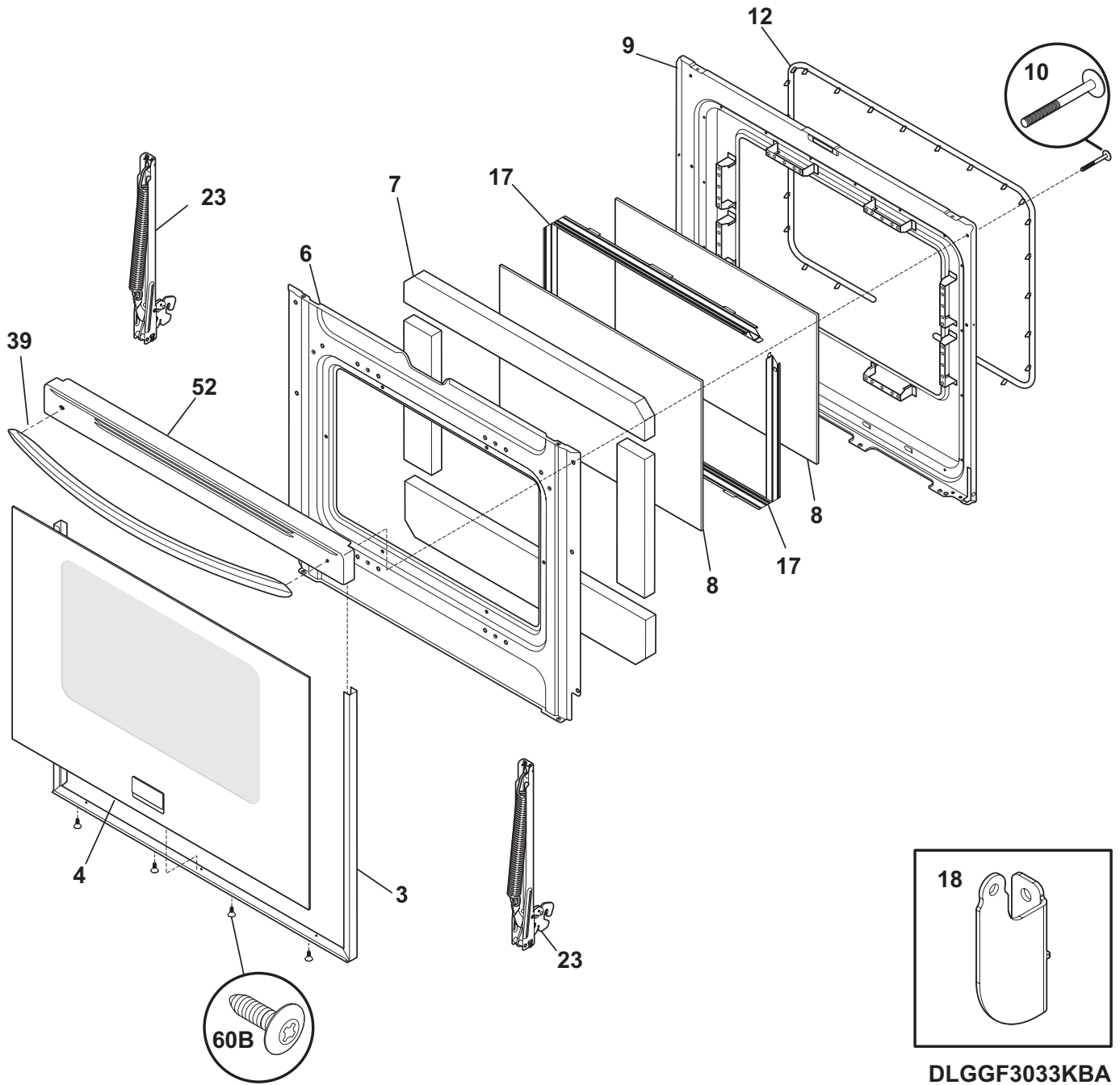
TLGGF3043KFA

TOP/DRAWER

Model Index: A FGGF3054K (FGGF3054KWA)
B FGGF3054K (FGGF3054KBA)

POS. NO	PART NO.		DESCRIPTION
1	316408703	A B	Drawer, utility
*	316021110	A B	Screw, 8-18 x 0.5, black
2	316403200	A B	Liner, drawer
4	316403405	A -	Panel, drawer, white, front
4	316403406	- B	Panel, drawer, black, front
7	316407400	A B	Glide, drawer, rear
16	316469654	A -	Maintop panel, white
16	316469653	- B	Maintop panel, black
20	316499502	A B	Grate, black, (2)
20A	316551802	A B	Grate, center, black
22	316438504	A B	Cap, 16/17K-burner, black
22A	316438304	A B	Cap, 5K burner, black
22B	316438704	A B	Cap, 14K burner, black
22C	316527704	A B	Cap, 9.5K burner, black, medium
22D	316532103	A B	Cap, 9.5K burner, oval, black, center
34	316499900	A B	Griddle
39	316554001	A -	Handle, door/drawer, white
39	316554000	- B	Handle, door/drawer, black
60	5304414648	A B	Screw, handle mtg.
*	316008401	A B	Washer, 3/4 OD x 1/4 ID, steel
88	316099500	A B	Pin, guide, (2)
*	316021105	A B	Screw, hex head cup pt, 8-18 x 0.375, black

DOOR



DOOR

Model Index: A FGGF3054K (FGGF3054KWA)
 B FGGF3054K (FGGF3054KBA)

POS. NO	PART NO.		DESCRIPTION
3	5303935326	A -	Trim kit-door, 3 sided, white, w/tape
3	5303935324	- B	Trim kit-door, 3 sided, black, w/tape
4	316566400	A -	Glass Assembly, outer, white, w/badge
4	316566401	- B	Glass Assembly, outer, black, w/badge
6	316402306	A B	Shield, wool
*	316021109	A B	Screw, 8-18 x 0.5, chrome
7	316403900	A B	Insulation, oven door
8	316117500	A B	Glass, oven door, heat barrier
9	316423805	A B	Liner, oven door
10	316439505	A B	Screw, handle mtg., #10-24 x 2, (2)
12	316403101	A B	Seal, oven door
17	316402403	A B	Spacer, door glass, (2)
18	316547900	A B	Link, door, (2), auto rack
23	316537302	A B	Hinge, oven door, black tita, (2)
23*	316418900	A B	Screw, sims lp, #8-32 x 5/16", black
39	316554001	A -	Handle, door/drawer, white
39	316554000	- B	Handle, door/drawer, black
52	316468400	A -	Cap, door trim, white
52	316468401	- B	Cap, door trim, black
60B	316021110	A B	Screw, 8-18 x 0.5, black
*	316433603	A B	Label, anti-tip