

*Frigidaire*

Factory Parts Catalog

Product No.	FGEF3031KBA	FGEF3031KQA	FGEF3031KWA
Series	30" f/s elec	30" f/s elec	30" f/s elec
Color	black	bisque	white
Market	North America	North America	North America
Owner's Guide	316902203	316902203	316902203
Installation Instructions	316454912	316454912	316454912
Service Data Sheet	316904414	316904414	316904414

 **Electrolux**

Electrolux Major Appliances  
 North & Latin America  
 P.O. BOX 212378  
 AUGUSTA, GA 30917

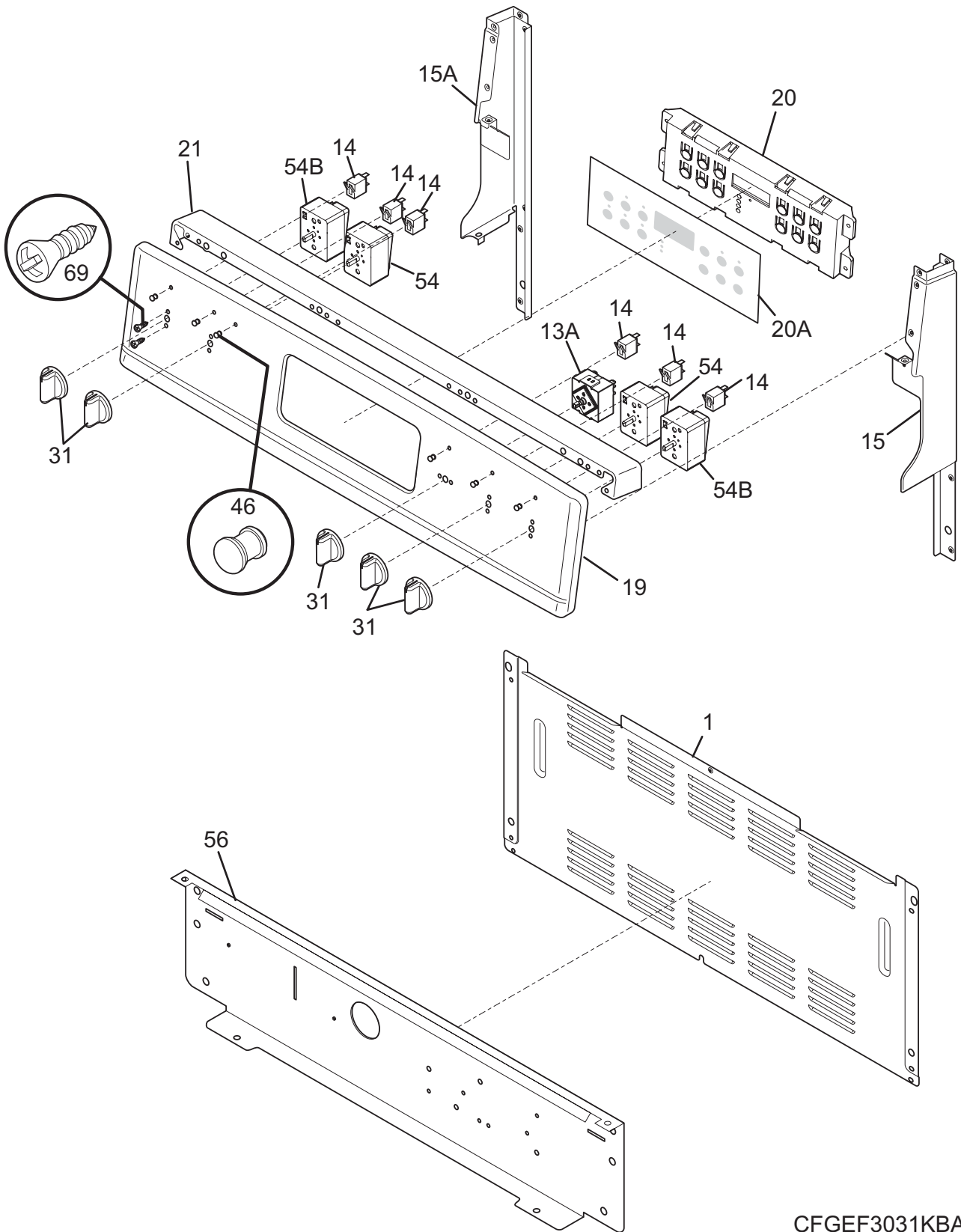
Publication No.  
**5995539144**  
 09/04/29  
 (EN/SERVICE/ECL)  
 369

**30-INCH FREE-  
 STANDING ELECTRIC  
 RANGE**

**Model No.  
 FGEF3031K**

Copyright © 2009 Electrolux Home Products, Inc.  
 All rights reserved.

**BACKGUARD**



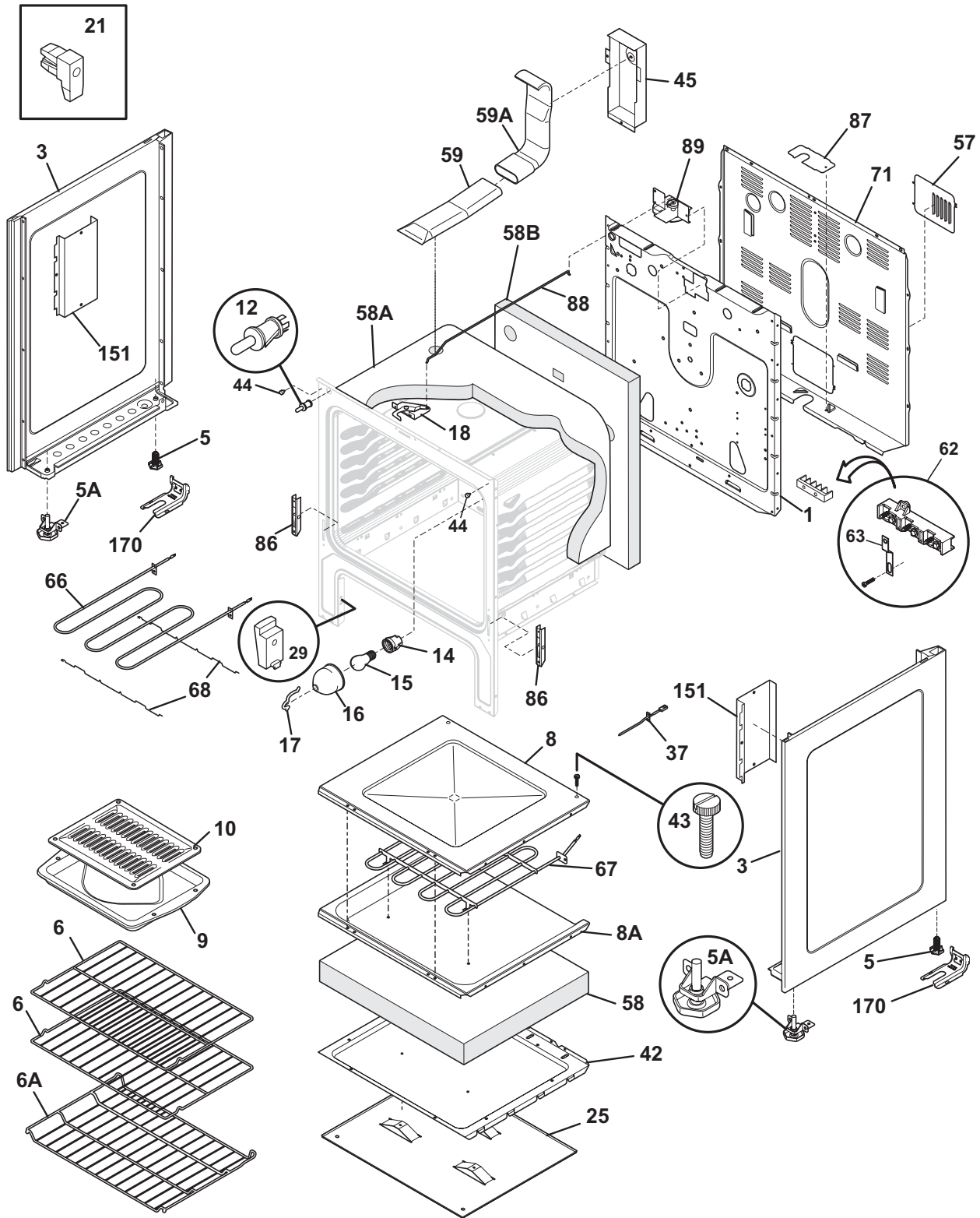
CFGFEF3031KBA

**BACKGUARD**

*Model Index:* A FGEF3031K (FGEF3031KBA)  
 B FGEF3031K (FGEF3031KQA)  
 C FGEF3031K (FGEF3031KWA)

POS. NO	PART NO.		DESCRIPTION
1	316557600	A B C	Shield, rear wall
13A#	316095503	A B C	Switch, infinite, warmer
14	316022500	A B C	Light/Lamp, indicator, 125 V
15	316546702	A - -	Cap, backguard, black, RH end
15	316546706	- B -	Cap, backguard, bisque, RH end
15	316546704	- - C	Cap, backguard, white, RH end
15A	316546703	A - -	Cap, backguard, black, LH end
15A	316546707	- B -	Cap, backguard, bisque, LH end
15A	316546705	- - C	Cap, backguard, white, LH end
19	316572420	A - -	Panel, backguard, black
19	316572421	- B -	Panel, backguard, bisque
19	316572419	- - C	Panel, backguard, white
20 #	316418300	A B C	Clock/Timer, electronic, ES330
*	316021110	A B C	Screw, 8-18 x 0.5, black
20A	316419333	A - -	Overlay, clock, black, ES330
20A	316419334	- B -	Overlay, clock, bisque, ES330
20A	316419332	- - C	Overlay, clock, white, ES330
21	316546601	A - -	Cap, backguard, black, top
21	316546603	- B -	Cap, backguard, bisque, top
21	316546602	- - C	Cap, backguard, white, top
31	316564402	A - -	Knob, control, black, (5)
31	316544210	- B -	Knob, control, bisque, (5)
31	316544206	- - C	Knob, control, white, (5)
46	316557300	A B C	Lens-light/lamp, indicator, clear
54	316436000	A B C	Switch, infinite, small element
54B#	316436001	A B C	Switch, infinite, large element
56	316234013	A - -	Shield, backguard, black, inner
56	316234014	- B -	Shield, backguard, bisque, inner
56	316234012	- - C	Shield, backguard, white, inner
69	5303288565	A B C	Screw, truss sqdr, 8-32 x 3/16, switch mtg
*	316021105	A B C	Screw, hex head cup pt, 8-18 x 0.375, black
*	316089500	A B C	Screw, 10-16 x .486

**BODY**



**NOTE: Oven Liner N/A  
Ass. du four N/A**

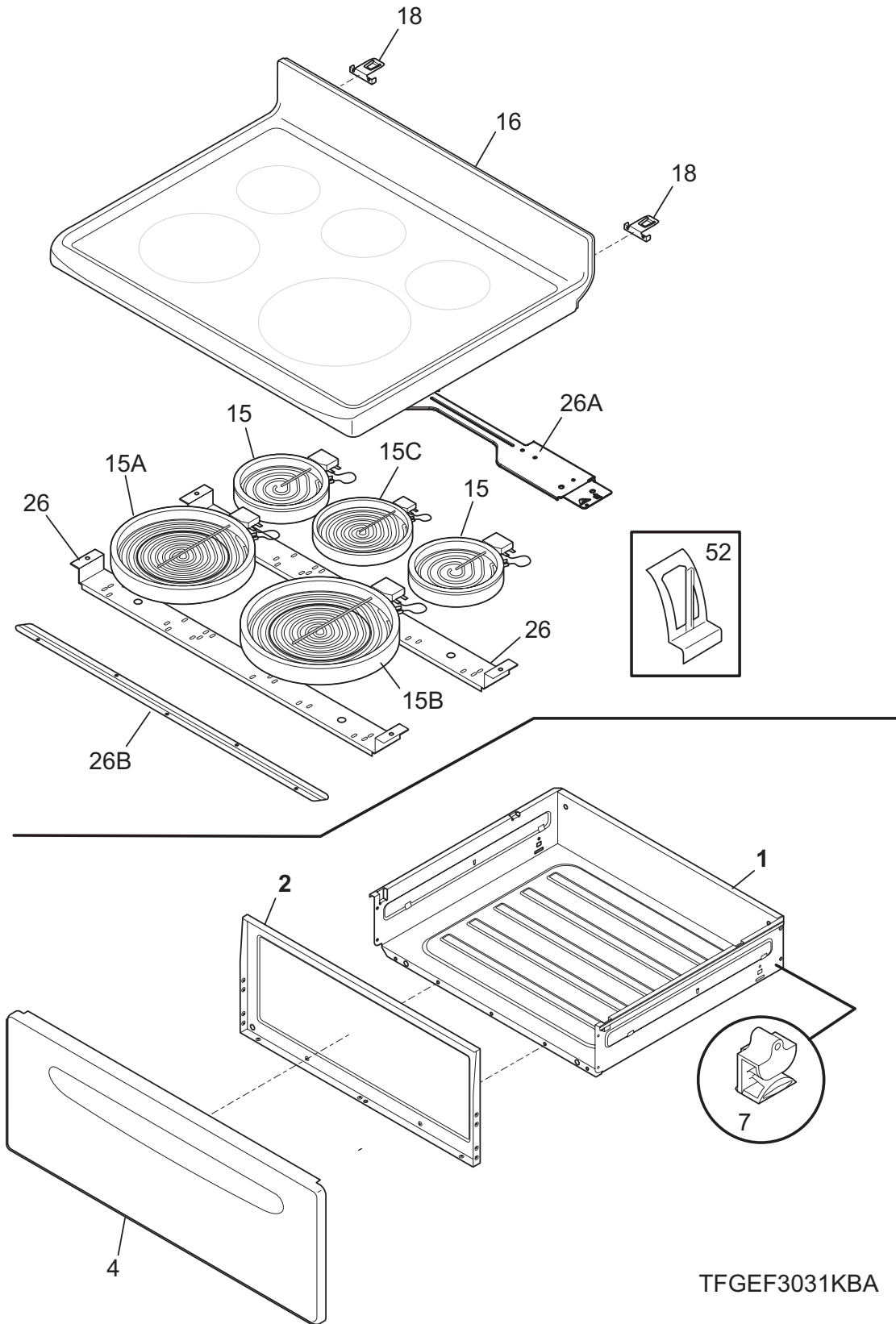
**VLGEF3031KBA**

**BODY**

*Model Index:* A FGEF3031K (FGEF3031KBA)  
 B FGEF3031K (FGEF3031KQA)  
 C FGEF3031K (FGEF3031KWA)

POS. NO	PART NO.		DESCRIPTION
1	316401801	A B C	Panel, main back
3	316400118	A - -	Panel, bodyside, black, RH
3	316400119	A - -	Panel, bodyside, black, LH
3	316400120	- B -	Panel, bodyside, bisque, RH
3	316400121	- B -	Panel, bodyside, bisque, LH
3	316400116	- - C	Panel, bodyside, white, RH
3	316400117	- - C	Panel, bodyside, white, LH
5	316272900	A B C	Screw, leveling, plastic, rear, (2)
5A	316498900	A B C	Leveling Leg Assy, metal, front, (2), bracket & leg
6	316496202	A B C	Rack, oven, (1)
6A	316496206	A B C	Rack, oven, (1)
8	316400601	A B C	Panel, oven bottom
8*	316064600	A B C	Support, oven bottom
8A	316411104	A B C	Base, bake element
9	316081900	A B C	Pan, broiler, OPTIONAL ACCESSORY
10	316082000	A B C	Insert, broiler pan, OPTIONAL ACCESSORY
12 #	316445500	A B C	Switch, oven light, door frame
14 #	316116400	A B C	Receptacle, oven light
15 #	316538901	A B C	Lamp, oven light
16	318406100	A B C	Lens, oven light, glass
17	316087500	A B C	Retainer, lens
18 #	316405800	A B C	Latch Assembly, oven door
*	5303285179	A B C	Screw, wafer head, 8-32T x 0.500, black
21	316408000	A B C	Clip, bodyside
25	316406200	A B C	Shield, heat, lower
29	316407301	A B C	Glide, drawer, front
37 #	316490000	A B C	Probe, oven temp
42	316407700	A B C	Shield, wool, lower
43	3131732	A B C	Screw, 8-18 x 1.438, oven bottom
44	316517600	A B C	Spacer, oven door
45	316234100	A B C	Shield, wire, vent tube
57	316457801	A B C	Cover, access
58	316403802	A B C	Insulation, oven sump
58A	316406602	A B C	Insulation, oven wrapper
58B	316406500	A B C	Insulation, oven back
59	316208401	A B C	Vent Tube, assembly, w/catalyst
*	316089500	A B C	Screw, 10-16 x .486
59A	316208304	A B C	Tube, oven vent, upper
62 #	5303935271	A B C	Terminal Block Kit
62*	316001003	A B C	Screw, ground wire
62*	316205500	A B C	Nut, hex flange, 3/8 10-32
62*	316542200	A B C	Insulator
63	316542600	A B C	Plate, grounding strap
66 #	316203301	A B C	Element, broil
67 #	316413800	A B C	Element, bake, hidden
68	316404000	A B C	Support, element, broil
71	316422304	A B C	Shield, rear wall
86	316441300	A B C	Receptacle, hinge
*	316418900	A B C	Screw, sims lp, #8-32 x 5/16", black
87	316081200	A B C	Bracket, cable mtg
88	316203500	A B C	Rod, auto latch
89 #	316464300	A B C	Motor-latch
151	316404600	A B C	Shield, bodyside
170	316112004	A B C	Anti Tip Kit, assembly
170*	316107200	A B C	Bracket, anti-tip
170*	316116000	A B C	Screw, concrete, 1.75", anti-tip brkt
170*	316541700	A B C	Template, anti-tip
* #	316506248	A B C	Wiring Harness, main
*	316021105	A B C	Screw, hex head cup pt, 8-18 x 0.375, black
*	316021110	A B C	Screw, 8-18 x 0.5, black
*	316418901	A B C	Screw, trilobe, 10-32 x 5/16", (4)

TOP/DRAWER



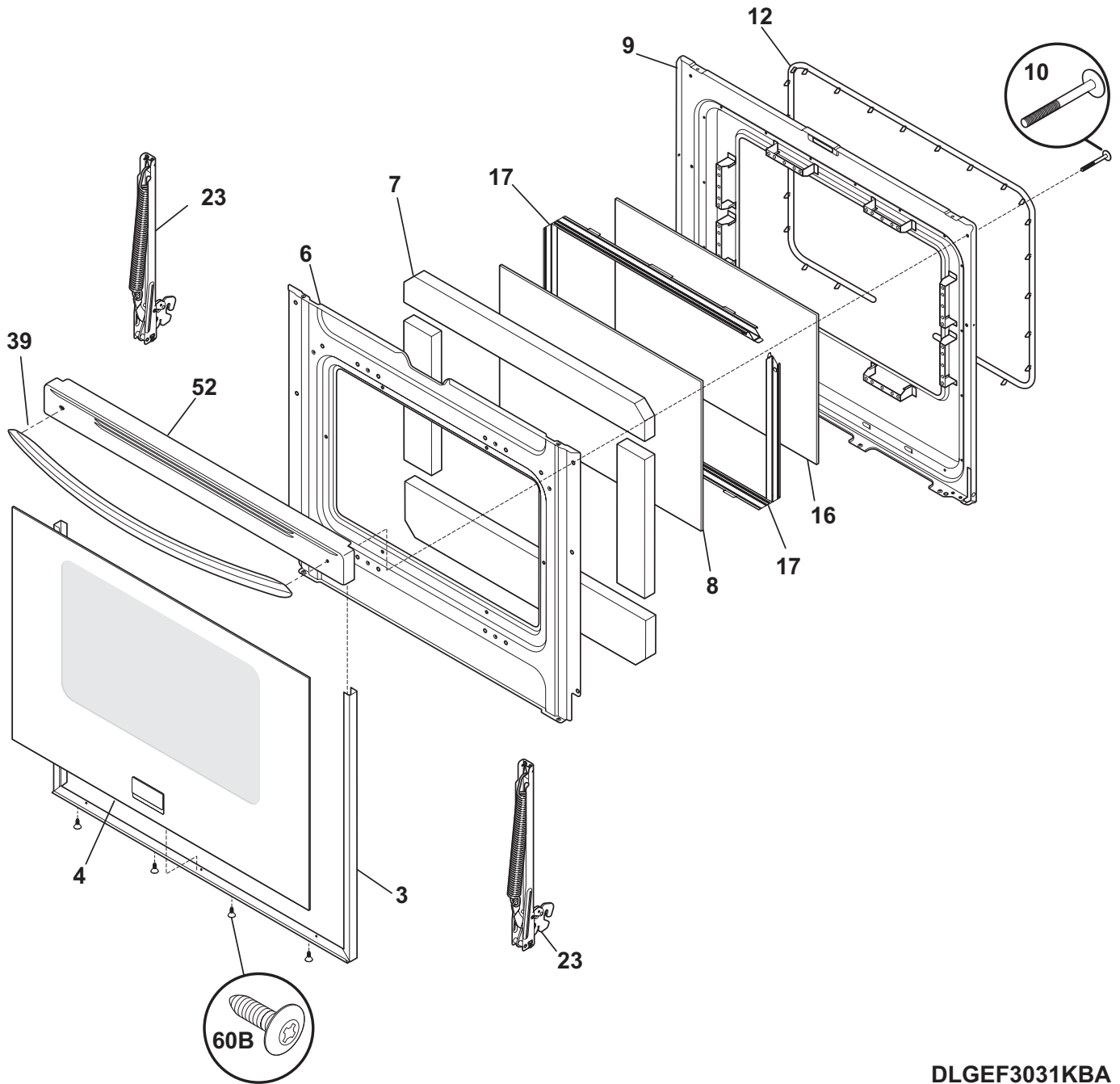
TFGEF3031KBA

**TOP/DRAWER**

*Model Index:* A FGEF3031K (FGEF3031KBA)  
 B FGEF3031K (FGEF3031KQA)  
 C FGEF3031K (FGEF3031KWA)

POS. NO	PART NO.		DESCRIPTION
1	316408703	A B C	Drawer, utility
2	316403300	A B C	Liner, drawer
4	316403502	A - -	Panel, drawer front, black
4	316403503	- B -	Panel, drawer front, bisque
4	316403501	- - C	Panel, drawer front, white
7	316407400	A B C	Glide, drawer, rear
15 #	318198846	A B C	Element, surface, small/6", 1200 W
15A#	316465001	A B C	Element, surface, 9", 3000W, radiant
15B#	318198827	A B C	Element, surface, 12", 2700 W
15C#	318198832	A B C	Element, surface, warmer, 100 W
16	316531968	A - -	Maintop, steel/glass, black
16	316531967	- B -	Maintop, steel/glass, bisque/black
16	316531966	- - C	Maintop, steel/glass, white/black
18	316436600	A B C	Hinge Bracket, maintop, (2)
26	316427600	A B C	Channel, element support, (2)
26A	316498200	A B C	Bracket-support, chassis, aluminum
26B	316214202	A B C	Bracket, chassis support, front
*	316021109	A B C	Screw, 8-18 x 0.5, chrome
52	316461700	A B C	Clip, element mtg
52*	5308014215	A B C	Screw, 6-20 x 0.312
* #	316510672	A B C	Harness, wiring, surface
*	316468100	A B C	Cleaner, smoothtop, w/sponge
*	316021105	A B C	Screw, hex head cup pt, 8-18 x 0.375, black
*	316021110	A B C	Screw, 8-18 x 0.5, black
*	316089500	A B C	Screw, 10-16 x .486

**DOOR**



**DLGEF3031KBA**



---

**DOOR**


---

*Model Index:* A FGEF3031K (FGEF3031KBA)  
 B FGEF3031K (FGEF3031KQA)  
 C FGEF3031K (FGEF3031KWA)

POS. NO	PART NO.		DESCRIPTION
3	5303935317	A - -	Trim kit-door, 3 sided, black, w/tape
3	5303935319	- B -	Trim kit-door, 3 sided, bisque, w/tape
3	5303935318	- - C	Trim kit-door, 3 sided, white, w/tape
4	316566408	A - -	Glass Assembly, outer, black, w/badge
4	316566407	- B -	Glass Assembly, outer, bisque, w/badge
4	316566406	- - C	Glass Assembly, outer, white, w/badge
6	316406310	A B C	Shield, wool
*	316021109	A B C	Screw, 8-18 x 0.5, chrome
7	316405600	A B C	Insulation, oven door
8	316117500	A B C	Glass, oven door, heat barrier
9	316423701	A B C	Liner, oven door
10	316433300	A B C	Screw, 10-14 x 2.125", handle mtg.
12	316405000	A B C	Seal, oven door
16	316117501	A B C	Glass, oven door, inner
17	316402403	A B C	Spacer, door glass, (2)
23	316456303	A B C	Hinge, oven door, blue titan, (2)
23*	316418900	A B C	Screw, sims lp, #8-32 x 5/16", black
39	316544500	A - -	Handle, door, black
39	316544502	- B -	Handle, door, bisque
39	316544501	- - C	Handle, door, white
52	316468401	A - -	Cap, door trim, black
52	316468402	- B -	Cap, door trim, bisque
52	316468400	- - C	Cap, door trim, white
60B	316021110	A B C	Screw, 8-18 x 0.5, black
*	316433603	A B C	Label, anti-tip