

FRIGIDAIRE

GALLERY



Freestanding Ranges

FGEF3032K W/B

30" Electric



Signature Features



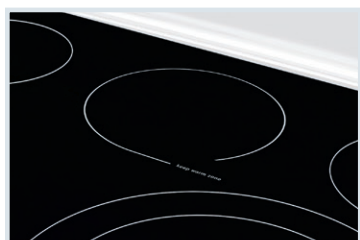
Quick Boil

Boil water faster with our 3,000-watt element.



Express-Select™ Controls

Easily go from warm to boil.



Keep Warm Zone

Keep food warm until everything — and everyone — is ready.



Effortless™ Oven Rack

Bottom rack extends when you open the door for easy access.

Effortless Performance

Quick Bake Convection
Quick Clean Option
Broil Option (3,600W)

Performance-Driven Style

Even Baking Technology
Smoothtop Ceramic Glass Cooking Surface

SpaceWise™ Design

SpaceWise™ Expandable Element – 6" to 9" (1,200W / 3,000W)

SpaceWise™ Expandable Element – 9" to 12" (1,700W / 2,700W)

Fits-More™ Cooktop

More Easy-To-Use Features

Hidden Bake Element
Extra-Large Window
Storage Drawer

Capacities

5.7 Cu. Ft. Oven Capacity

Overall Exterior Dimensions

Height	47"
Width	29-7/8"
Depth	28-1/4"

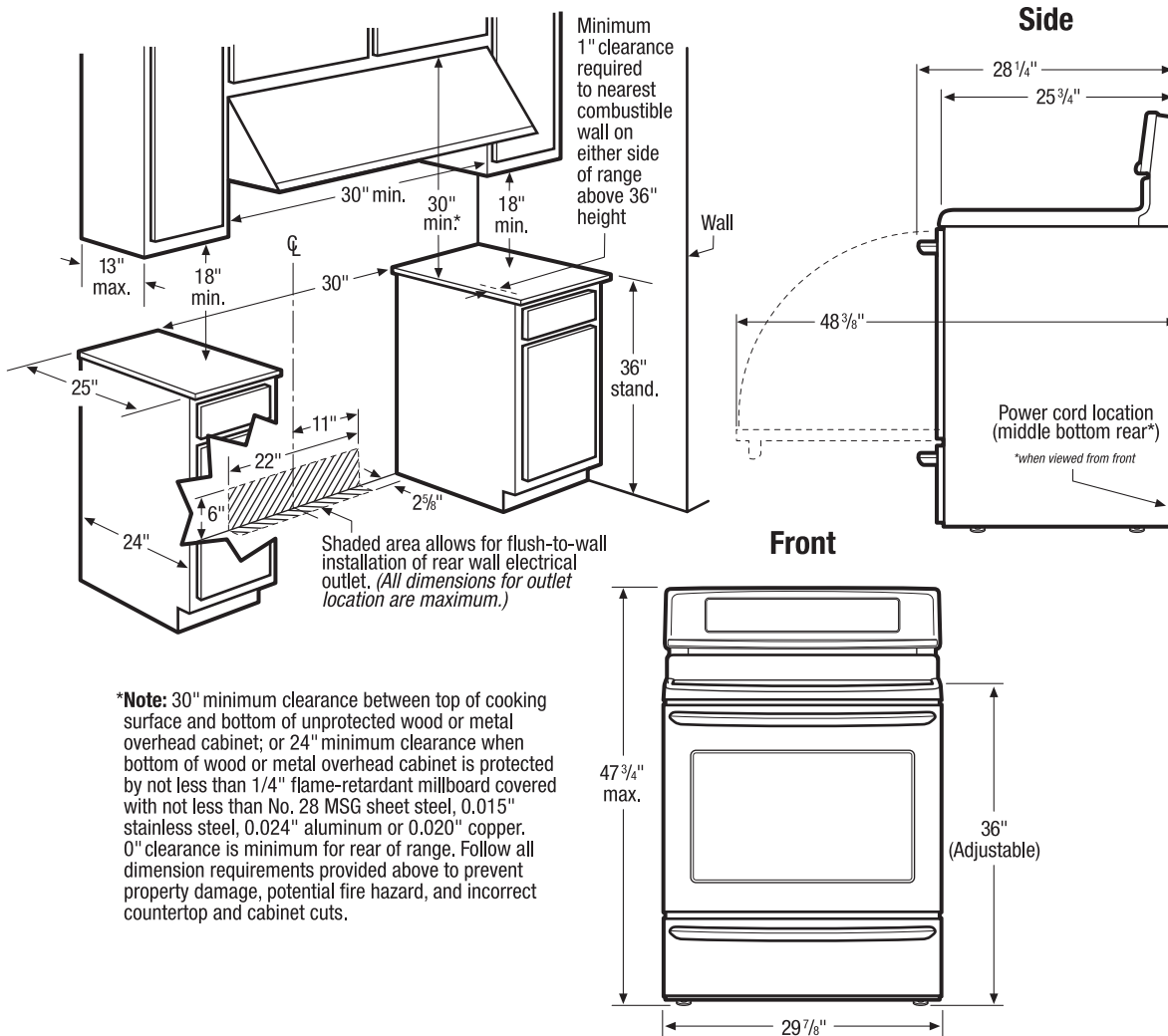
Available in:



White
(W)



Black
(B)



Freestanding Range Specifications

- Product Shipping Weight (approx.) - 205 Lbs.
- Single phase 3- or 4-wire cable, 120/240 or 120/208 Volt, 60 Hertz, fused on both sides of line with ground.
- Connected Load (kW Rating) @ 240/208 Volts = 12.5/9.5kW
- Recommended Circuit Breaker - 40 Amps
- Always consult local and national electric codes.
- Floor beneath range MUST be solid and level.
- Overhead cabinetry should not exceed a 13" maximum depth.
- Absolute minimum horizontal distance between overhead cabinets installed to either side of appliance must be no less than maximum width of appliance.
- Range can be installed flush to wall with 0" minimum rear clearance.
- Minimum 1" clearance required from edge of rangetop to nearest combustible wall on either side of range above 36" height.

- Allow 30" minimum clearance between top of cooking surface and bottom of unprotected wood or metal overhead cabinet; or 24" minimum clearance when bottom of wood or metal overhead cabinet is protected by not less than 1/4" flame retardant millboard covered with not less than No. 28 MSG sheet steel, 0.015" stainless steel, 0.024" aluminum or 0.020" copper.
- To reduce risk of fire when using overhead cabinetry, install range hood that projects horizontally a recommended minimum of 5" beyond bottom of cabinets.
- Follow all dimension requirements provided to prevent property damage, potential fire hazard, and incorrect countertop and cabinet cuts.

Note: For planning purposes only. Refer to Product Installation Guide on the web at frigidaire.com for detailed instructions.