

*Frigidaire*

Factory Parts Catalog

Product No.	GLGQ2170KE0	GLGQ2170KS0
Market	North America	North America
Color	black	white
Volts	120	120
Wiring Diagram	134910400	134910400
Owner's Guide	137135200	137135200
Installation Instructions	137135100	137135100
Operating Instructions	137102600	137102600

 **Electrolux**

Electrolux Major Appliances  
 North & Latin America  
 P.O. BOX 212378  
 AUGUSTA, GA 30917

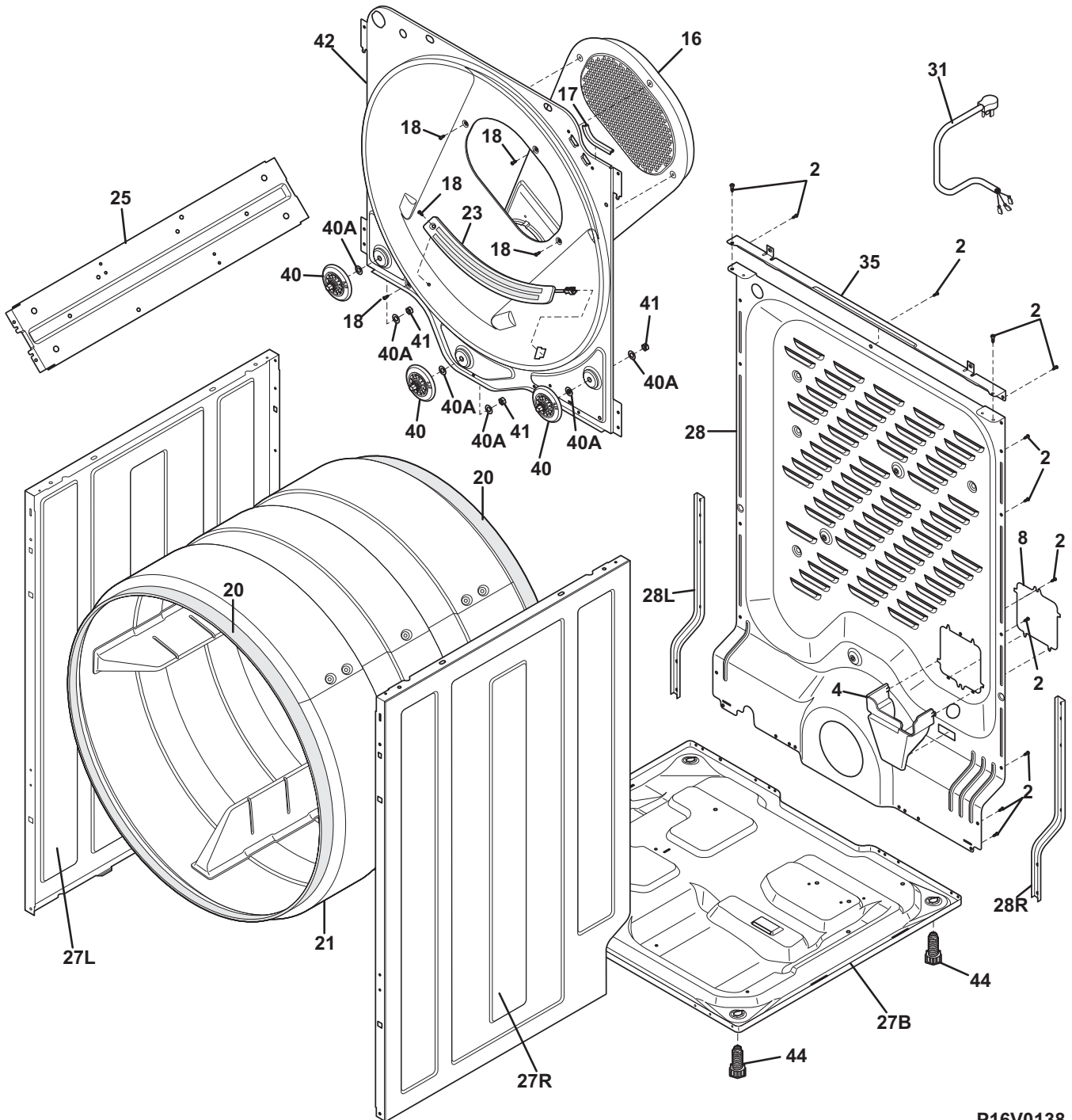
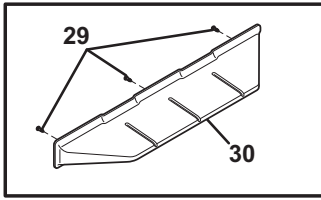
Publication No.  
**5995538351**  
 09/04/17  
 (EN/SERVICE/WTC)  
 154

**GAS DRYER**

Model No.  
**GLGQ2170K**

Copyright © 2009 Electrolux Home Products, Inc.  
 All rights reserved.

CABINET/DRUM



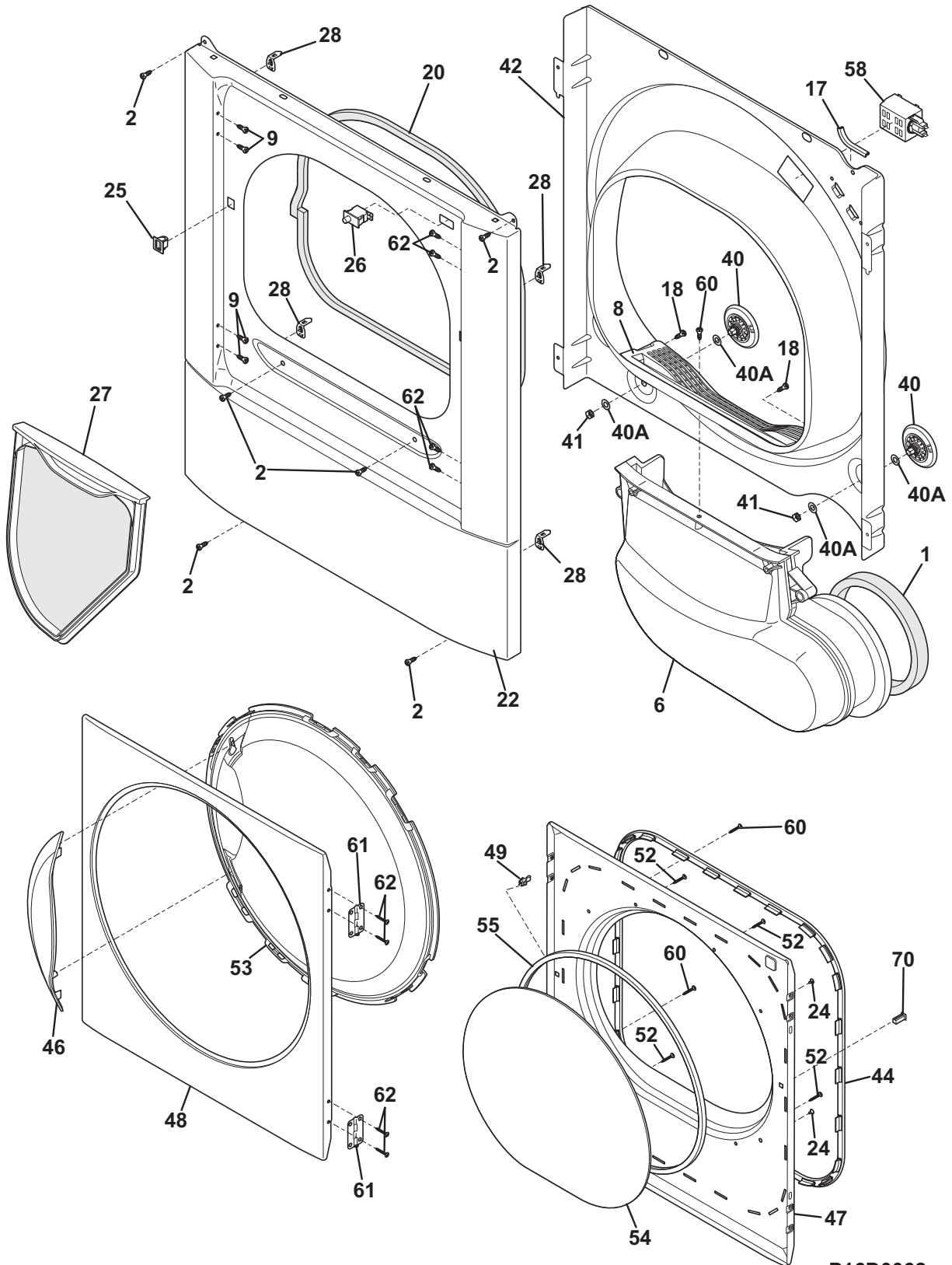
P16V0138

**CABINET/DRUM**

*Model Index:* A GLGQ2170K (GLGQ2170KE0)  
B GLGQ2170K (GLGQ2170KS0)

POS. NO	PART NO.		DESCRIPTION
2	131168200	A B	Screw, pan head, 8-18B x 0.31
4	134792200	A B	Bracket, mounting, terminal block
8	134694400	A B	Cover, terminal block
16	134694020	A B	Duct, heat, rear
17	134792900	A B	Protector, edge, right top front
18	131477000	A B	Screw, 10-16AB x 0.375
20	134705900	A B	Seal, felt, drum
20*	5308027429	A B	Adhesive, high temp
21	134711900	A B	Drum, dryer, assembly 36"
23 #	134786110	A B	Sensor-moisture, assembly
23*	134930800	A B	Harness, moisture sensor
25	134912100	A B	Bracket, mounting, main control bx
27B	134690200	A B	Base, dryer
27L	134690360	A -	Panel, left side, black
27L	134690310	- B	Panel, left side, white
27R	134690460	A -	Panel, right side, black
27R	134690410	- B	Panel, right side, white
28	134713200	A B	Panel, backsheet, rear
28L	137029900	A B	Bracket, reinforcement, left, backsheet
28R	137066800	A B	Bracket, reinforcement, right, backsheet
29	131205100	A B	Screw, #8 pan head, 10-10B x 0.500, cr/sq drive
30	137116800	A B	Vane, straight, white
31 #	134501000	A B	Power Cord, electric svce
31*	134790900	A B	Strain Relief, 120, pwr cord
35	134706200	A B	Bracket, top panel mtg., rear
40	134715900	A B	Roller, wheel, complete asmy
40*	134716200	A B	Retainer, roller wheel, assembly
40A	134716700	A B	Washer, flat
41	134716800	A B	Nut, 3/8-16
42	134712815	A B	Bulkhead, panel, rear
44	137029700	A B	Leveling Leg, screw

FRONT PANEL/LINT FILTER



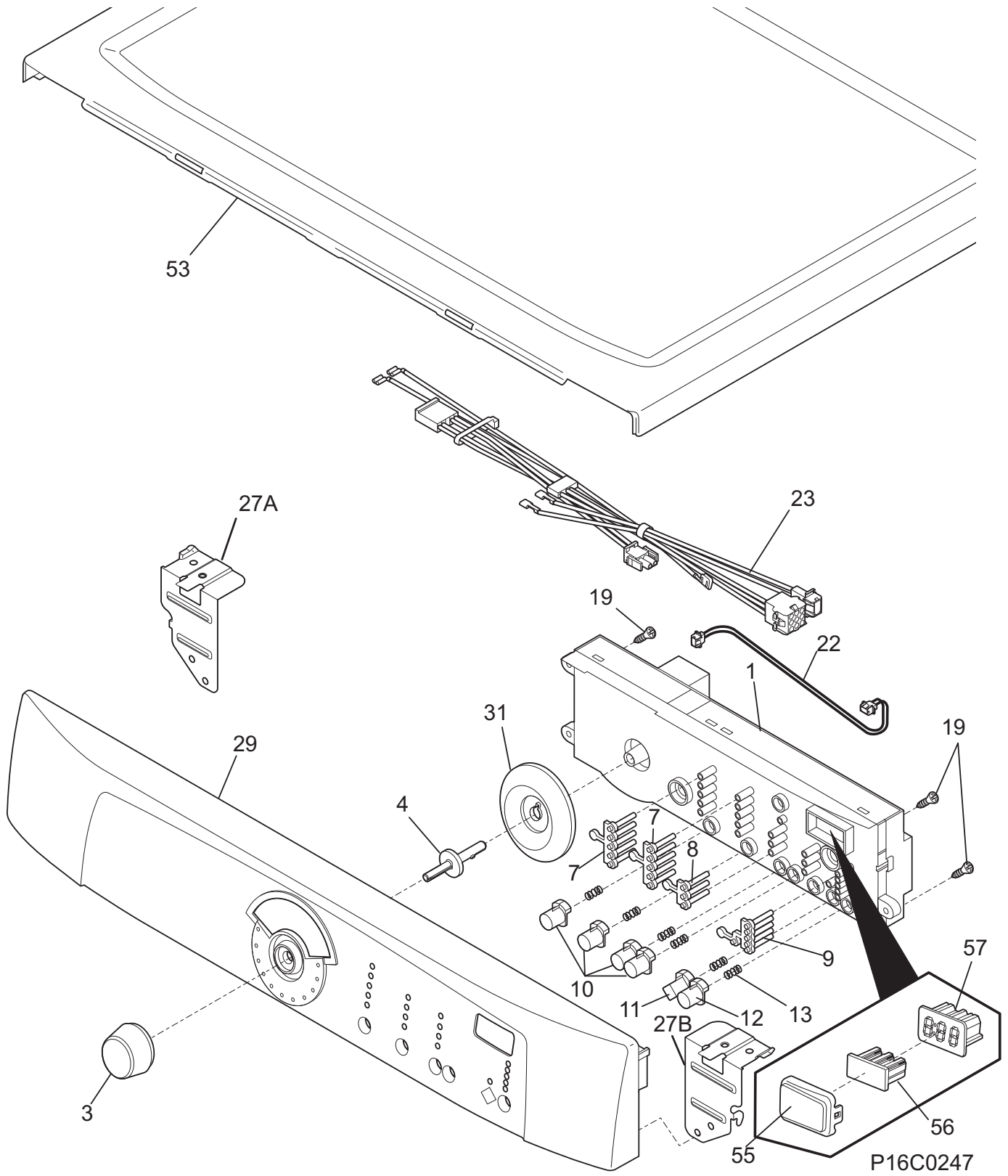
P16D0062

## FRONT PANEL/LINT FILTER

Model Index: A GLGQ2170K (GLGQ2170KE0)  
B GLGQ2170K (GLGQ2170KS0)

POS. NO	PART NO.		DESCRIPTION
1	137068200	A B	Seal, air duct
2	131168200	A B	Screw, pan head, 8-18B x 0.31
6	134710705	A B	Duct, air, gray
8	134701310	A B	Cover, lint housing
9	131633260	A -	Plug, black
9	131633200	- B	Plug, white
17	134792900	A B	Protector, edge, right top front
18	131477000	A B	Screw, 10-16AB x 0.375
20	137116600	A B	Gasket, front panel
20*	5308027429	A B	• Adhesive, high temp
22	134714360	A -	Panel, front, black
22	134714310	- B	Panel, front, white
24	134465160	A -	Plug, handle hole, black
24	134465100	- B	Plug, handle hole
25	131658820	A -	Door Catch, gray, upper
25	131658800	- B	Door Catch, upper
26 #	134813661	A -	Switch, door, rectangle, gray
26 #	131843101	- B	Switch, door, rectangle, white, with drum light
26*	134910300	A B	Harness, wire, door switch
27	134701410	A B	Filter, lint, complete
28	137034500	A B	Clip, mounting, cabinet front
40	134715900	A B	Roller, wheel, complete asmy
40*	134716200	A B	Retainer, roller wheel, assembly
40A	134716700	A B	Washer, flat
41	134716800	A B	Nut, 3/8-16
42	134696110	A B	Bulkhead, panel, front
44	134413345	A -	Gasket, door seal, gray
44	134413300	- B	Gasket, door seal
46	134472202	A B	Handle, door
47	134913360	A -	Panel, inner door, black
47	134913304	- B	Panel, inner door, white
48	134913160	A -	Panel, outer door, black
48	134913103	- B	Panel, outer door, white
49	5303211430	A B	Door Strike
52	134529600	A B	Screw, indt pan head, 8-18AB x 0.375
53	134443202	A B	Adapter, door glass ring
54	134611800	A B	Glass, inner door
55	134580300	A B	Gasket, door glass, inner
58 #	131843500	A B	Lamp Assy, drum light, w/mtg bracket
58*#	131862800	A B	• Lamp
60	134430300	A B	Screw, indt pan head, 10-14 x 0.625, quadrex
61	134412460	A -	Hinge, door, black
61	134412400	- B	Hinge, door
62	134156200	A B	Screw, flat head, 8-18AB x 0.44, quad drive
70	134417502	A -	Plug, rectangular
70	134417500	- B	Plug, rectangular, white

**CONTROLS/TOP PANEL**

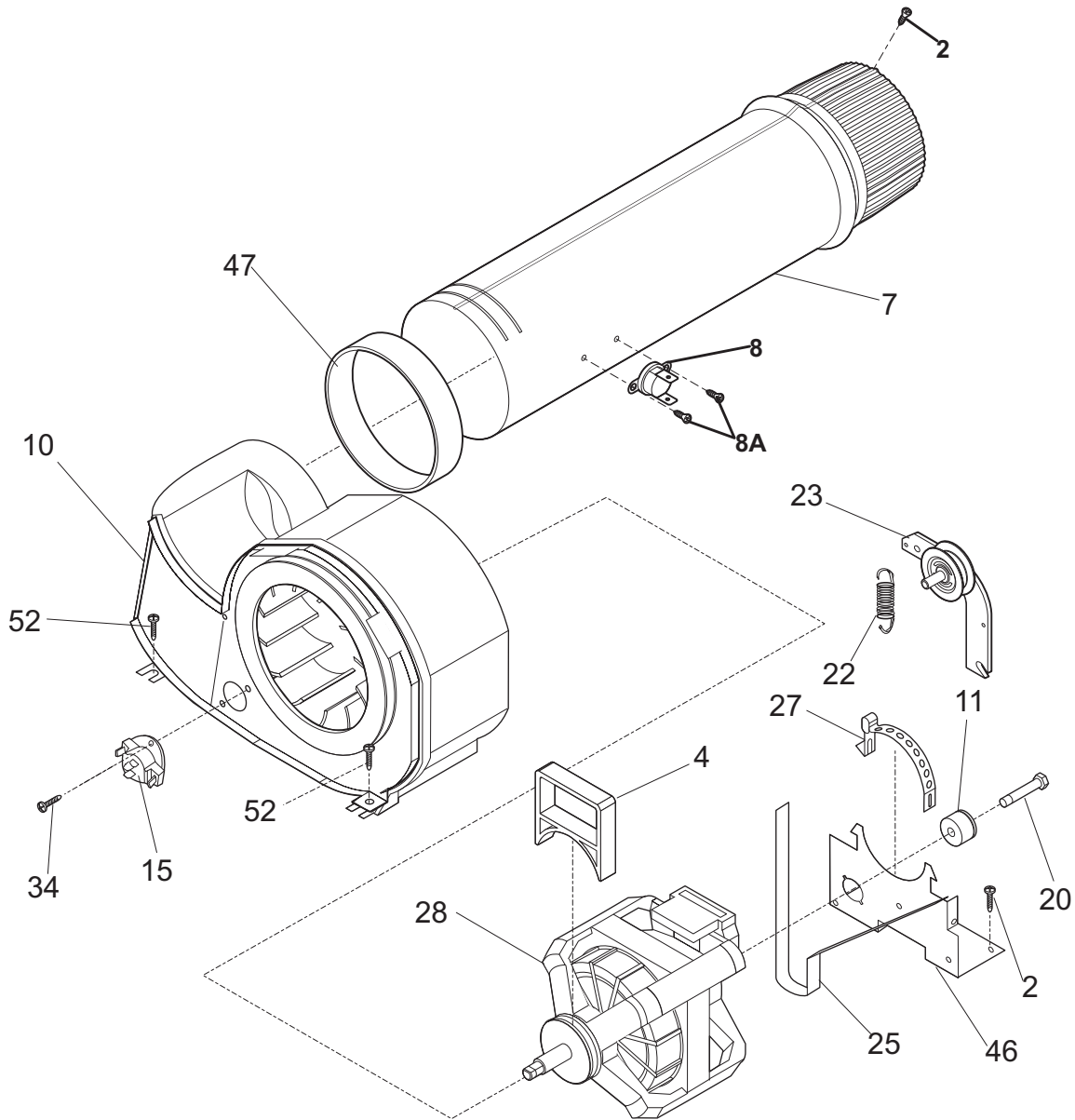


**CONTROLS/TOP PANEL**

*Model Index:* A GLGQ2170K (GLGQ2170KE0)  
B GLGQ2170K (GLGQ2170KS0)

POS. NO	PART NO.		DESCRIPTION
1 #	137070700	A B	Control Board, printed circuit, with housing
3	134471500	A B	Knob, program
4	134347700	A B	Pin, program knob
7	134429100	A B	Light Pipe, array, 1 row of 5
8	134429200	A B	Light Pipe, array, 2 row of 4
9	134429400	A B	Light Pipe, array, 4 start group
10	134447160	A -	Push Button, #1
10	134447100	- B	Push Button, #1
11	134447201	A B	Push Button, #2
12	134447301	A B	Push Button, #3
13	134349400	A B	Spring, push button
19	134402900	A B	Screw, Phillips, 6-19 x 0.650
22	134910200	A B	Harness, control
23 #	134710300	A B	Harness, wire
27A	134710900	A B	Bracket, control panel, left hand, mounting
27B	134711000	A B	Bracket, control panel, right hand, mounting
29	134759100	A -	Panel, control console, black
29	134442500	- B	Panel, control console
53	134365000	A B	Panel, work top, white
53	134365060	A -	Panel, work top, black
53	134365010	- B	Panel, work top, white
55	134429000	A B	Lens, digital display
56	134503400	A B	Light Pipe, digital display
57 #	134503300	A B	Display, digital

MOTOR



P16M0035

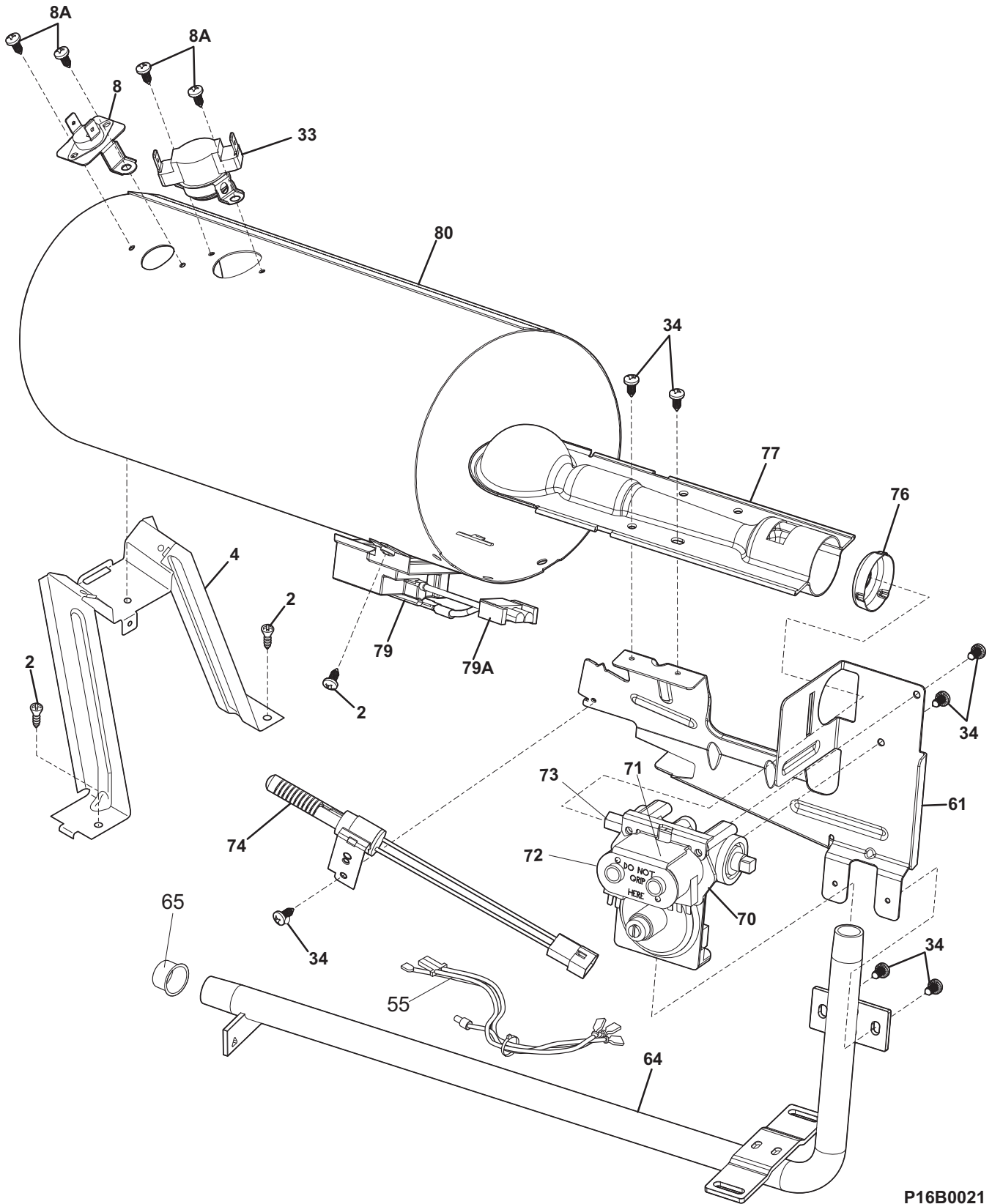


**MOTOR**

*Model Index:* A GLGQ2170K (GLGQ2170KE0)  
 B GLGQ2170K (GLGQ2170KS0)

POS. NO	PART NO.		DESCRIPTION
2	131168200	A B	Screw, pan head, 8-18B x 0.31
4	131435200	A B	Lock, blower housing
7	134693900	A B	Tube, exhaust, rear
8 #	134711400	A B	LIMITER, thermal, exhaust, flush mount
8A	134935200	A B	Screw, #8-32 X .25, W/#6 QUADREXPAN
10 #	131775600	A B	Blower Assy, housing, w/cover & wheel
11	131749800	A B	Spacer, idler
15 #	134587700	A B	Thermistor, control
20	131017900	A B	Screw, hex head, 1/4-20T x 1.25, spacer mtg., thread cutting
22	131601000	A B	Spring, idler arm
23	134793500	A B	Idler Arm Assy, w/pulley
25 #	134719300	A B	Belt, "H", poly V, 5 rib
27	134242400	A B	Clamp, motor mtg.
28 #	137115900	A B	Motor, dryer drive, with pulley
34	131243700	A B	Screw, pan head, 8-18AB x 0.375
46	134693500	A B	Bracket, motor mounting
47	131633300	A B	Seal, exhaust tube
52	131202300	A B	Screw, 10-16AB x 0.625

**BURNER**



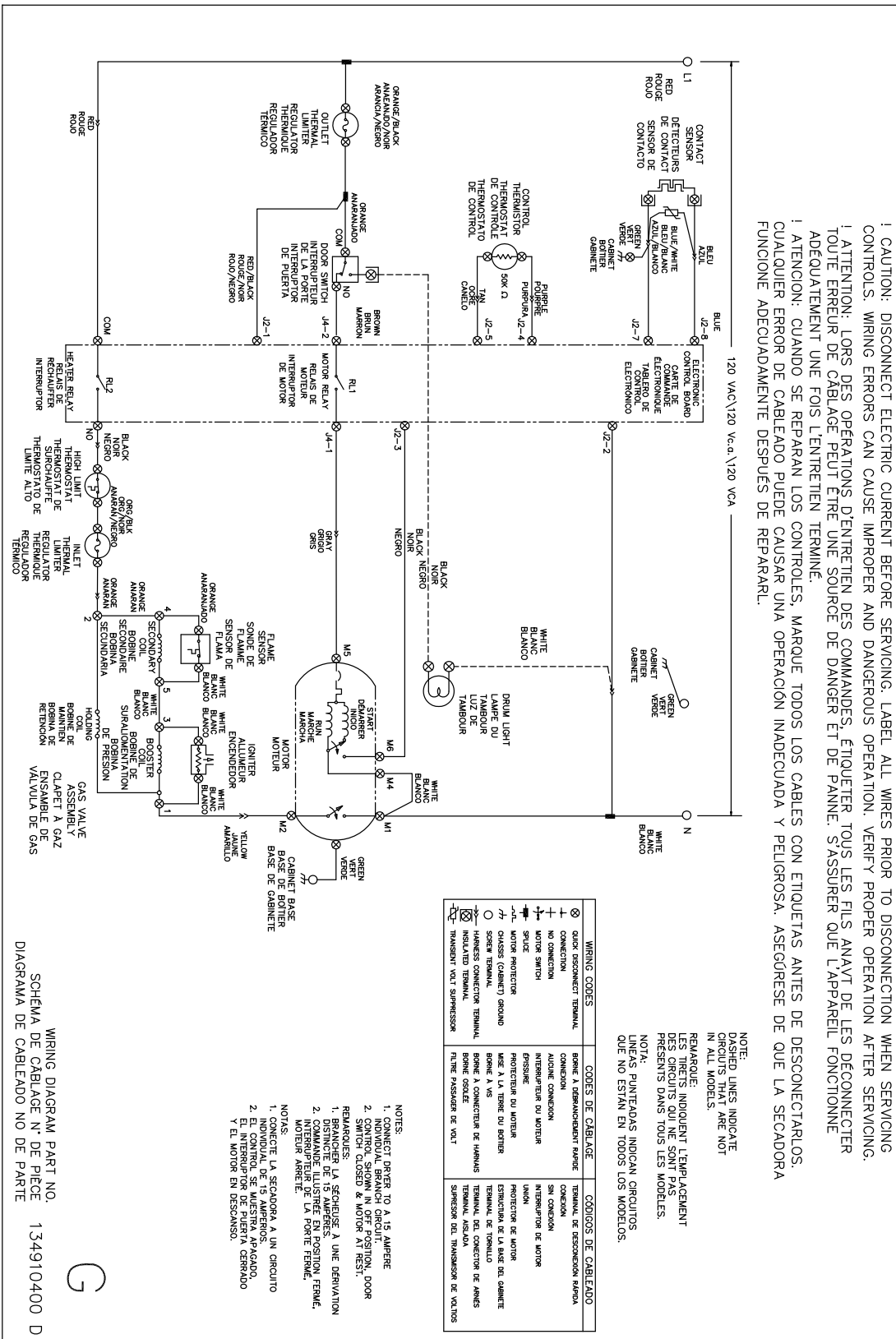
P16B0021

**BURNER**

*Model Index:* A GLGQ2170K (GLGQ2170KE0)  
 B GLGQ2170K (GLGQ2170KS0)

POS. NO	PART NO.		DESCRIPTION
2	131168200	A B	Screw, pan head, 8-18B x 0.31
4	134785000	A B	Bracket, heater/burner, mounting
8 #	134711500	A B	LIMITER, thermal
8A	134935200	A B	Screw, #8-32 X .25, W/#6 QUADREXPAN
33 #	137116700	A B	Thermostat, high limit
34	131243700	A B	Screw, pan head, 8-18AB x 0.375
55	137029500	A B	Harness, burner
61	134715800	A B	Bracket, gas valve
64	137019100	A B	Pipe, gas
65	08015112	A B	Cap, pipe
70 #	5303207409	A B	Valve, gas
71 #	5303307291	A B	Coil, secondary
72 #	5303307292	A B	Coil, booster
73 #	5303207410	A B	Orifice, natural gas, size 44
74 #	134192000	A B	Igniter Assy
76	134714400	A B	Collar, alignment, gas valve
77 #	134197700	A B	Burner, gas
79 #	5303281135	A B	Sensor, radiant
79A	134259100	A B	Harness, flame sensor
80 #	134692500	A B	Tube, burner

WIRING DIAGRAM



I CAUTION: DISCONNECT ELECTRIC CURRENT BEFORE SERVICING. LABEL ALL WIRES PRIOR TO DISCONNECTION WHEN SERVICING CONTROLS. WIRING ERRORS CAN CAUSE IMPROPER AND DANGEROUS OPERATION. VERIFY PROPER OPERATION AFTER SERVICING.

I ATTENTION: LORS DES OPERATIONS D'ENTRETIEN DES COMMANDES, ÉTIQUETER TOUS LES FILS ANAVT DE LES DÉCONNECTER TOUJOUR ÉRRER DE CABLEAGE PEUT ÊTRE UNE SOURCE DE DANGER ET DE PAINNE. S'ASSURER QUE L'APPAREIL FONCTIONNE ADEQUATEMENT UNE FOIS L'ENTRETIEN TERMINE.

I ATENCION: CUANDO SE REPARAN LOS CONTROLES, MARQUE TODOS LOS CABLES CON ETIQUETAS ANTES DE DESCONECTARLOS. CUALQUIER ERROR DE CABLEADO PUEDE CAUSAR UNA OPERACION INADECUADA Y PELIGROSA. ASEGURESE DE QUE LA SECADORA FUNCIONE ADECUADAMENTE DESPUES DE REPARARL.