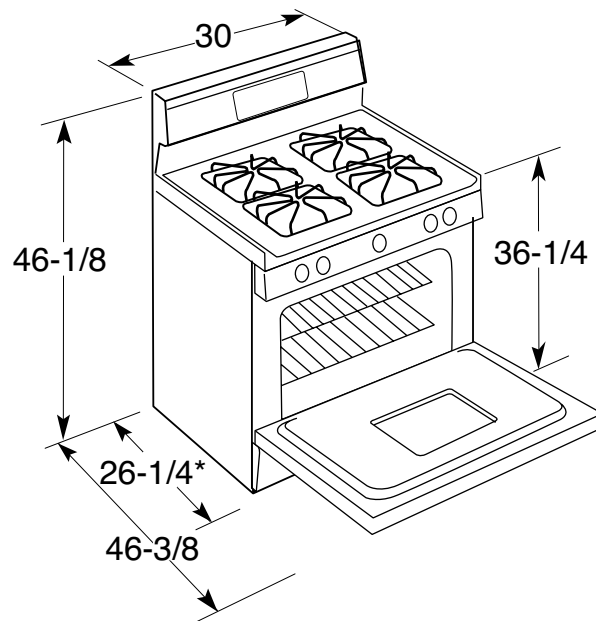


HOTPOINT®

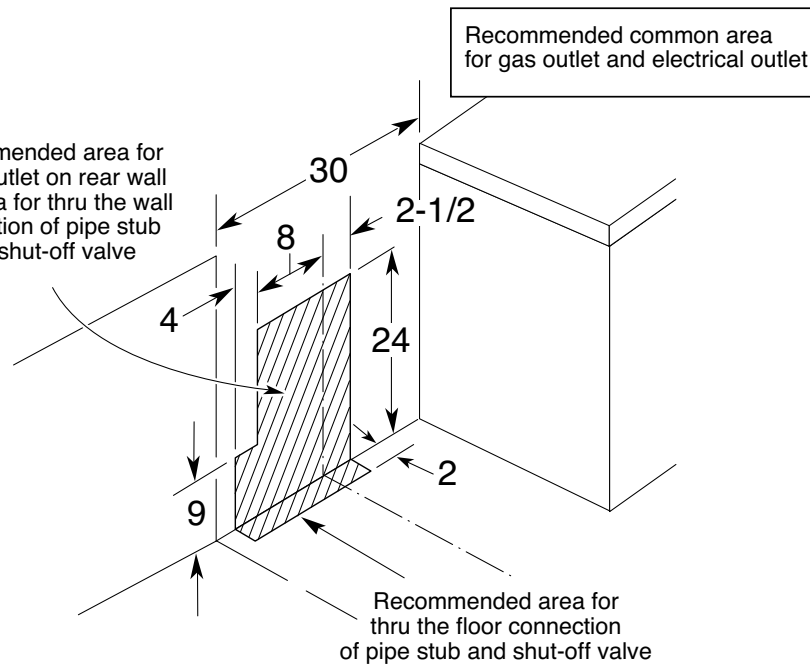
RGB540SEP – Hotpoint 30" Free-Standing Gas Range

Dimensions (in inches)



*Depth from wall to front of closed oven door.

Recommended area for 120V outlet on rear wall and area for thru the wall connection of pipe stub and shut-off valve



Recommended area for thru the floor connection of pipe stub and shut-off valve

Installation Information: Before installing, consult installation instructions packed with product for current dimensional data.

Optional gas range accessory drip pans:
(Available at additional cost)
To order these accessory drip pans, call toll-free 800-626-2002.



All Hotpoint ranges are equipped with an Anti-Tip device. The installation of this device is an important, required step in the installation of the range.



HOTPOINT®

RGB540SEP – Hotpoint 30" Free-Standing Gas Range



Features and Benefits

- Extra-Large Oven Capacity - Provides a large oven interior ideal for cooking more items at once
- Sealed Cooktop Burners - Eliminate the space between the burners and the cooktop to help contain spills and boil over liquids, ensuring easy cleanup
- Performance Plus Burner - Provides a maximum output of 12,000 BTUs for fast heat-up and boiling
- Simmer Burner - Provides low, even heat distribution for delicate foods and sauces
- All Purpose Burners - Deliver a wide range of heat output ideal for most cooking requirements
- Electronic Clock And Timer - Features a convenient digital clock and easy-to-use timer with an audible signal to help coordinate cooking times in the kitchen
- Six Embossed Rack Positions - Multiple rack positions increase cooking flexibility and maximize oven capacity
- Two removable oven racks - Make room for up to six plates or three 9" x 13" casserole dishes
- Porcelain Upswept Cooktop - Features raised edges to help contain spills and make clean-up easy
- Standard Window - Provides a convenient viewing area to check the progress of food
- Standard Grates - Provide a sturdy and convenient cookware surface for everyday cooking
- Model RGB540SEPSA – Silver metallic