

Frigidaire

Factory Parts Catalog

Product No.	FGEF3055KBA	FGEF3055KWA
Series	30" f/s elec	30" f/s elec
Color	black	white
Market	North America	North America
Owner's Guide	316902207	316902207
Installation Instructions	316454912	316454912
Service Data Sheet	316904401	316904401

 **Electrolux**

Electrolux Major Appliances
 North & Latin America
 P.O. BOX 212378
 AUGUSTA, GA 30917

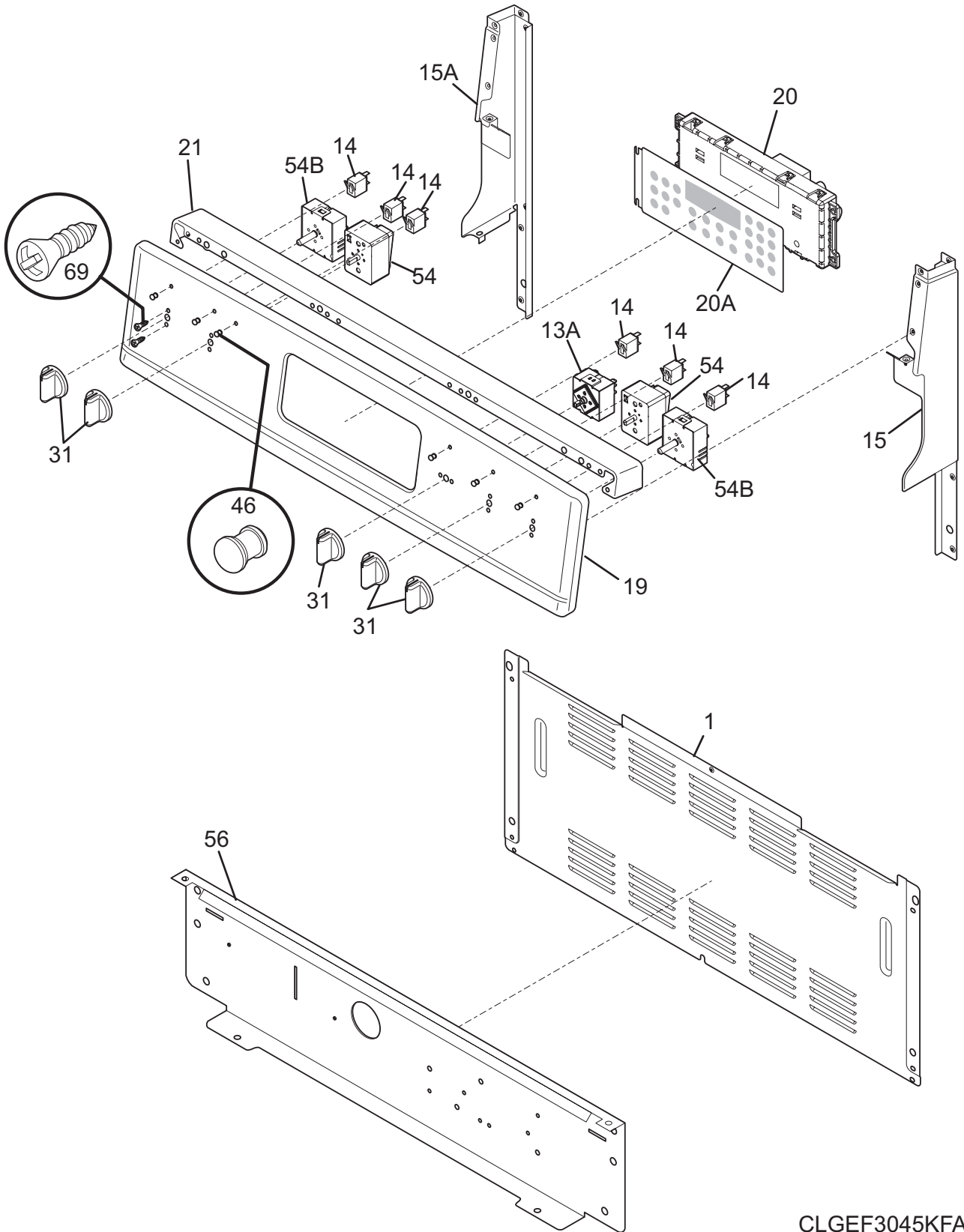
Publication No.
5995539292
 09/05/01
 (EN/SERVICE/ECL)
 369

**30-INCH FREE-
 STANDING ELECTRIC
 RANGE**

**Model No.
 FGEF3055K**

Copyright © 2009 Electrolux Home Products, Inc.
 All rights reserved.

BACKGUARD



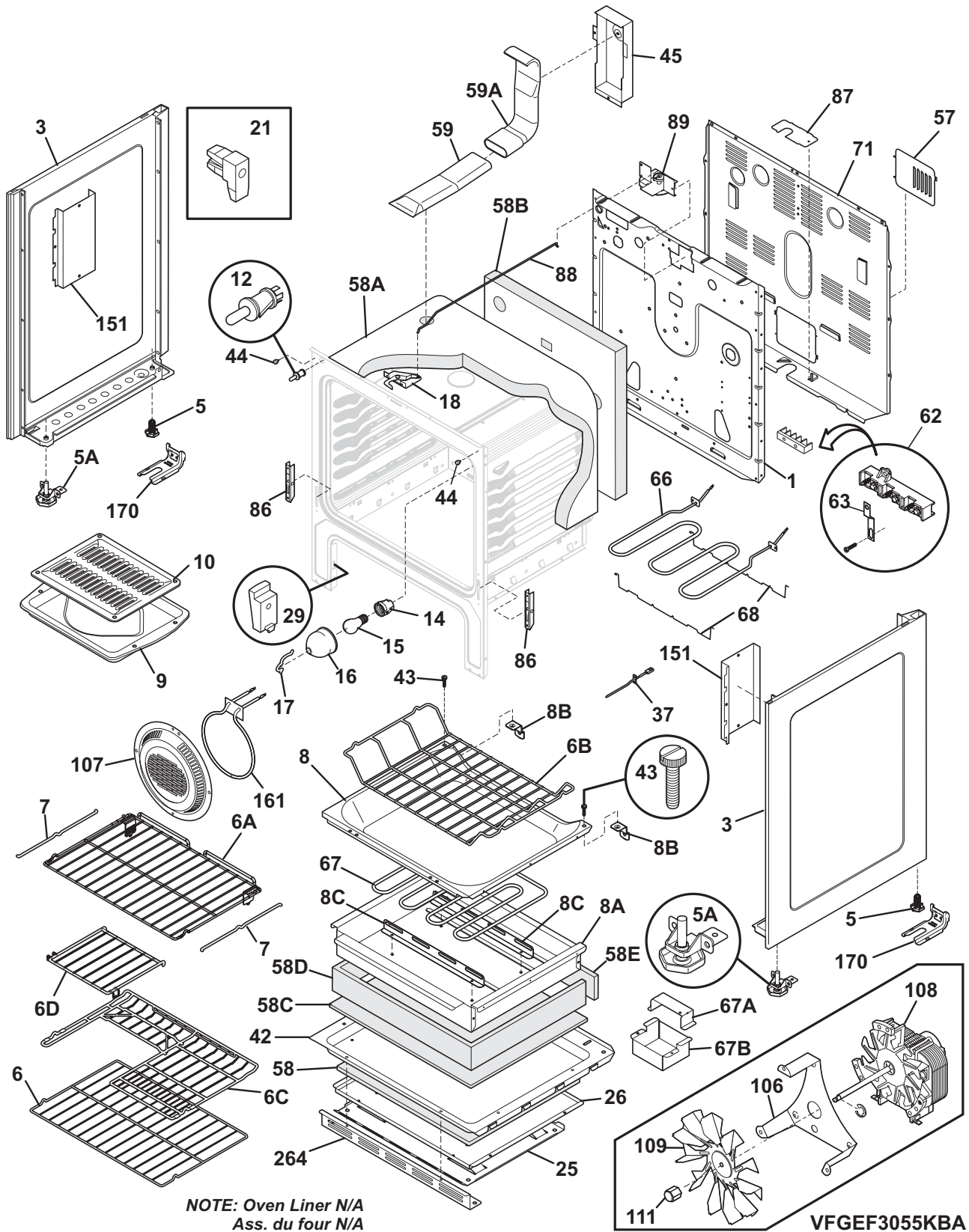
CLGEF3045KFA

BACKGUARD

Model Index: A FGEF3055K (FGEF3055KWA)
B FGEF3055K (FGEF3055KBA)

POS. NO	PART NO.		DESCRIPTION
1	316557600	A B	Shield, rear wall
13A#	316095503	A B	Switch, infinite, warmer
14	316022500	A B	Light/Lamp, indicator, 125 V
15	316546704	A -	Cap, backguard, white, RH end
15	316546702	- B	Cap, backguard, black, RH end
15A	316546705	A -	Cap, backguard, white, LH end
15A	316546703	- B	Cap, backguard, black, LH end
19	316572413	A -	Panel, backguard, white
19	316572414	- B	Panel, backguard, black
20 #	316560105	A B	Controller, electronic, ES540
*	316021110	A B	Screw, 8-18 x 0.5, black
20A#	316419820	A -	Overlay, clock, white, ES540
20A#	316419821	- B	Overlay, clock, black, ES540
21	316546602	A -	Cap, backguard, white, top
21	316546601	- B	Cap, backguard, black, top
31	316544207	A -	Knob, control, white, (5)
31	316564403	- B	Knob, control, black, (5)
46	316557300	A B	Lens-light/lamp, indicator, clear
54	316436000	A B	Switch, infinite, small element
54B#	316238200	A B	Switch, infinite radian, dual
56	316234012	A -	Shield, backguard, white, inner
56	316234013	- B	Shield, backguard, black, inner
69	5303288565	A B	Screw, truss sqdr, 8-32 x 3/16, switch mtg
*	316021105	A B	Screw, hex head cup pt, 8-18 x 0.375, black
*	316089500	A B	Screw, 10-16 x .486

BODY

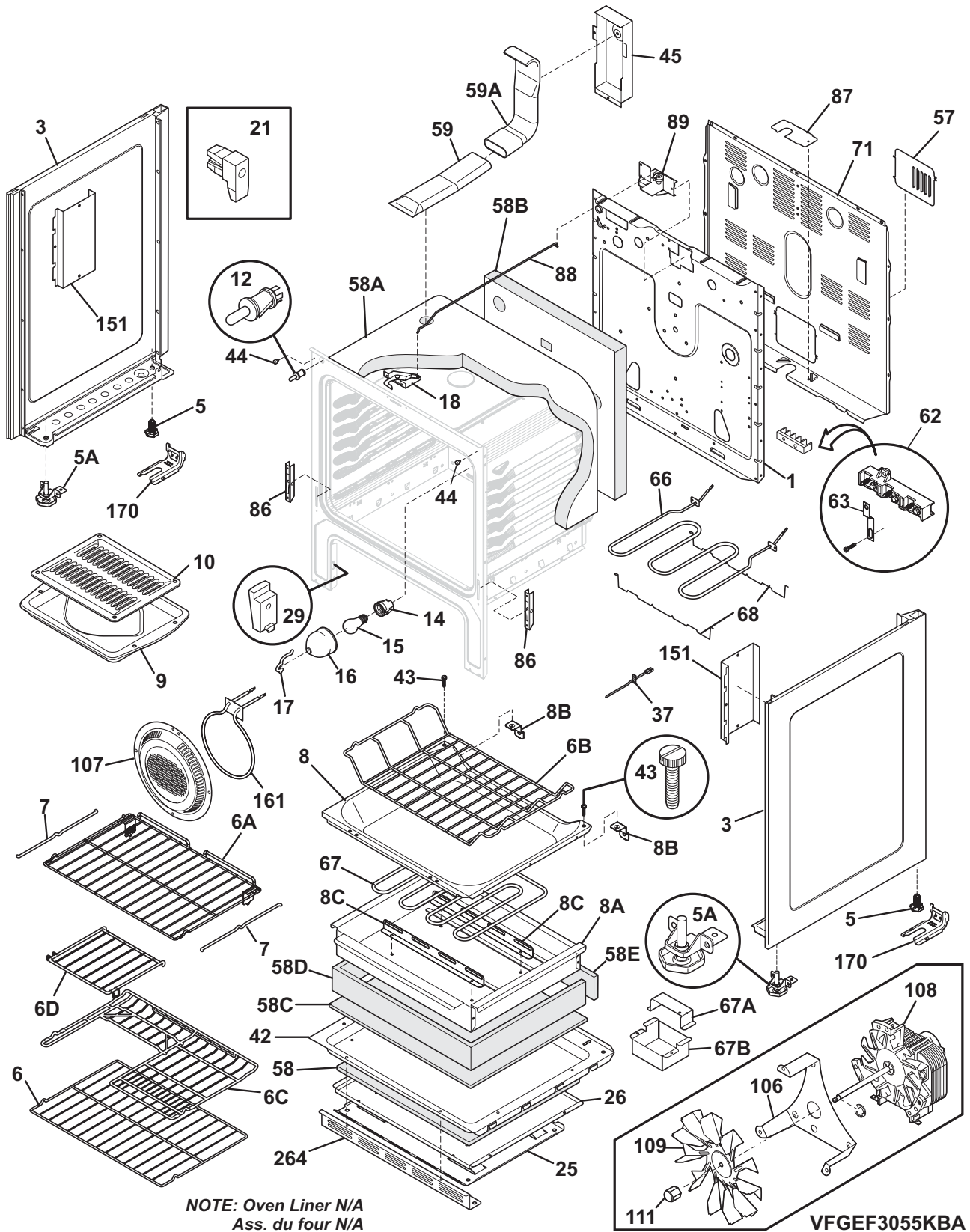


BODY

Model Index: A FGEF3055K (FGEF3055KWA)
B FGEF3055K (FGEF3055KBA)

POS. NO	PART NO.		DESCRIPTION
1	316401801	A B	Panel, main back
3	316400116	A -	Panel, bodyside, white, RH
3	316400117	A -	Panel, bodyside, white, LH
3	316400118	- B	Panel, bodyside, black, RH
3	316400119	- B	Panel, bodyside, black, LH
5	316272900	A B	Screw, leveling, plastic, rear, (2)
5A	316498900	A B	Leveling Leg Assy, metal, front, (2), bracket & leg
6	316496207	A B	Rack, oven, (2)
6A	316556500	A B	Rack, oven, auto
6B	316575600	A B	Rack, oven, deep sump
6C	316425600	A B	Rack, half, oven
6D	316419400	A B	Rack, half insert, oven
7	316546300	A B	Link, coupler, (2), auto rack
8	316549601	A B	Bottom, oven
8A	316563501	A B	Base, element, hidden bake
8B	316563400	A B	Bracket, support, oven bottom, (2)
8C	316505801	A B	Support, element
9	316081900	A B	Pan, broiler, OPTIONAL ACCESSORY
10	316082000	A B	Insert, broiler pan, OPTIONAL ACCESSORY
12	316445500	A B	Switch, oven light, door frame
14	316116400	A B	Receptacle, oven light
15	316538901	A B	Lamp, oven light
16	318406100	A B	Lens, oven light, glass
17	316087500	A B	Retainer, lens
18 #	316405800	A B	Latch Assembly, oven door
21	316408000	A B	Clip, bodyside
25	316571000	A B	Shield, drawer, upper
26	316563200	A B	Shield, lower, hidden bake
29	316407301	A B	Glide, drawer, front
37 #	316490000	A B	Probe, oven temp
42	316564301	A B	Shield, wool, lower, hidden bake
43	5303285179	A B	Screw, wafer head, 8-32T x 0.500, black
*	3131737	A B	Washer, black
44	316517600	A B	Spacer, oven door
45	316234100	A B	Shield, wire, vent tube
57	316457801	A B	Cover, access
58	316565500	A B	Insulation, lower, hidden bake
58A	316406601	A B	Insulation, oven wrapper
58B	316406503	A B	Insulation, oven back
58C	316565400	A B	Insulation, sump, hidden bake
58D	316565200	A B	Insulation, front & sides, hidden bake
58E	316565300	A B	Insulation, rear, hidden bake
59	316208401	A B	Vent Tube, assembly, w/catalyst
*	316089500	A B	Screw, 10-16 x .486
59A	316208304	A B	Tube, oven vent, upper
62 #	5303935271	A B	Terminal Block Kit
62*	316001003	A B	Screw, ground wire
62*	316205500	A B	Nut, hex flange, 3/8 10-32
62*	316542200	A B	Insulator

BODY



NOTE: Oven Liner N/A
Ass. du four N/A

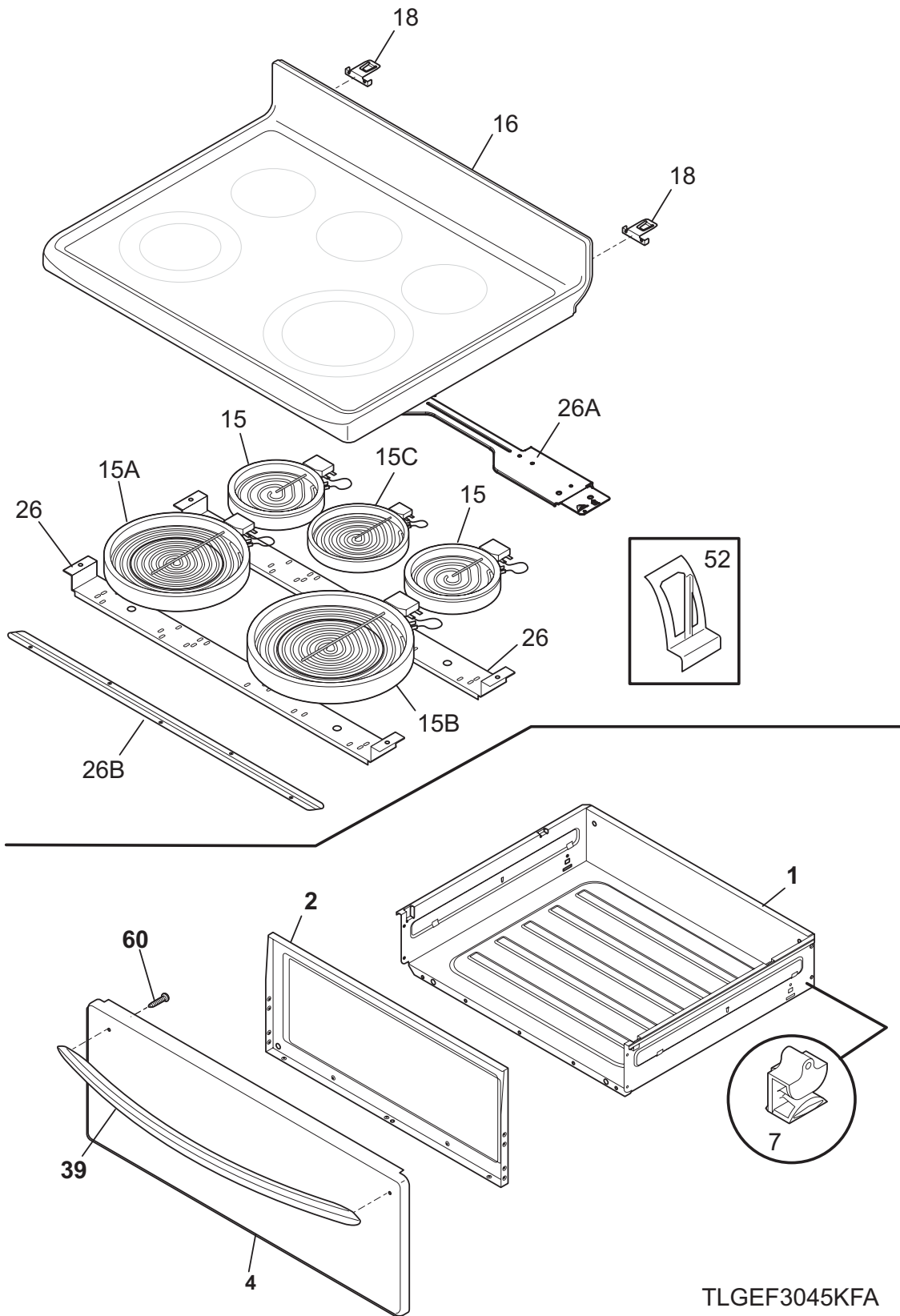
VFGEF3055KBA

BODY

Model Index: A FGEF3055K (FGEF3055KWA)
 B FGEF3055K (FGEF3055KBA)

POS. NO	PART NO.		DESCRIPTION
63	316542600	A B	Plate, grounding strap
66 #	316430900	A B	Element, broil, 4000W
67 #	316563600	A B	Element, hidden bake
* #	316525631	A B	Harness, wiring, bake element, connector
67A	316574100	A B	Cover, terminal, upper, hidden bake
67B	316563300	A B	Cover, terminal, lower, hidden bake
68	316429100	A B	Support, element, broil
71	316422304	A B	Shield, rear wall
86	316530700	A B	Receptacle, hinge
*	316418900	A B	Screw, sims lp, #8-32 x 5/16", black
87	316081200	A B	Bracket, cable mtg
88	316203500	A B	Rod, auto latch
89 #	316464300	A B	Motor-latch
106	316404100	A B	Bracket, motor mtg.
107	316026701	A B	Cover, fan
*	316021132	A B	Screw, 8-18 X 11/16, black, (3)
108#	316415800	A B	Motor, fan
*	316008401	A B	Washer, 3/4 OD x 1/4 ID, steel
109	316136400	A B	Blade, fan
111	316136600	A B	Nut, fan retainer
151	316404600	A B	Shield, bodyside
161#	316211603	A B	Element, convection fan, 350 W
170	316112004	A B	Anti Tip Kit, assembly
170*	316107200	A B	Bracket, anti-tip
170*	316116000	A B	Screw, concrete, 1.75", anti-tip brkt
170*	316541700	A B	Template, anti-tip
264	316570901	A B	Shield, front frame, black
* #	316506275	A B	Wiring Harness, main
*	316021105	A B	Screw, hex head cup pt, 8-18 x 0.375, black
*	316021110	A B	Screw, 8-18 x 0.5, black
*	316418901	A B	Screw, trilobe, 10-32 x 5/16", (4)

TOP/DRAWER



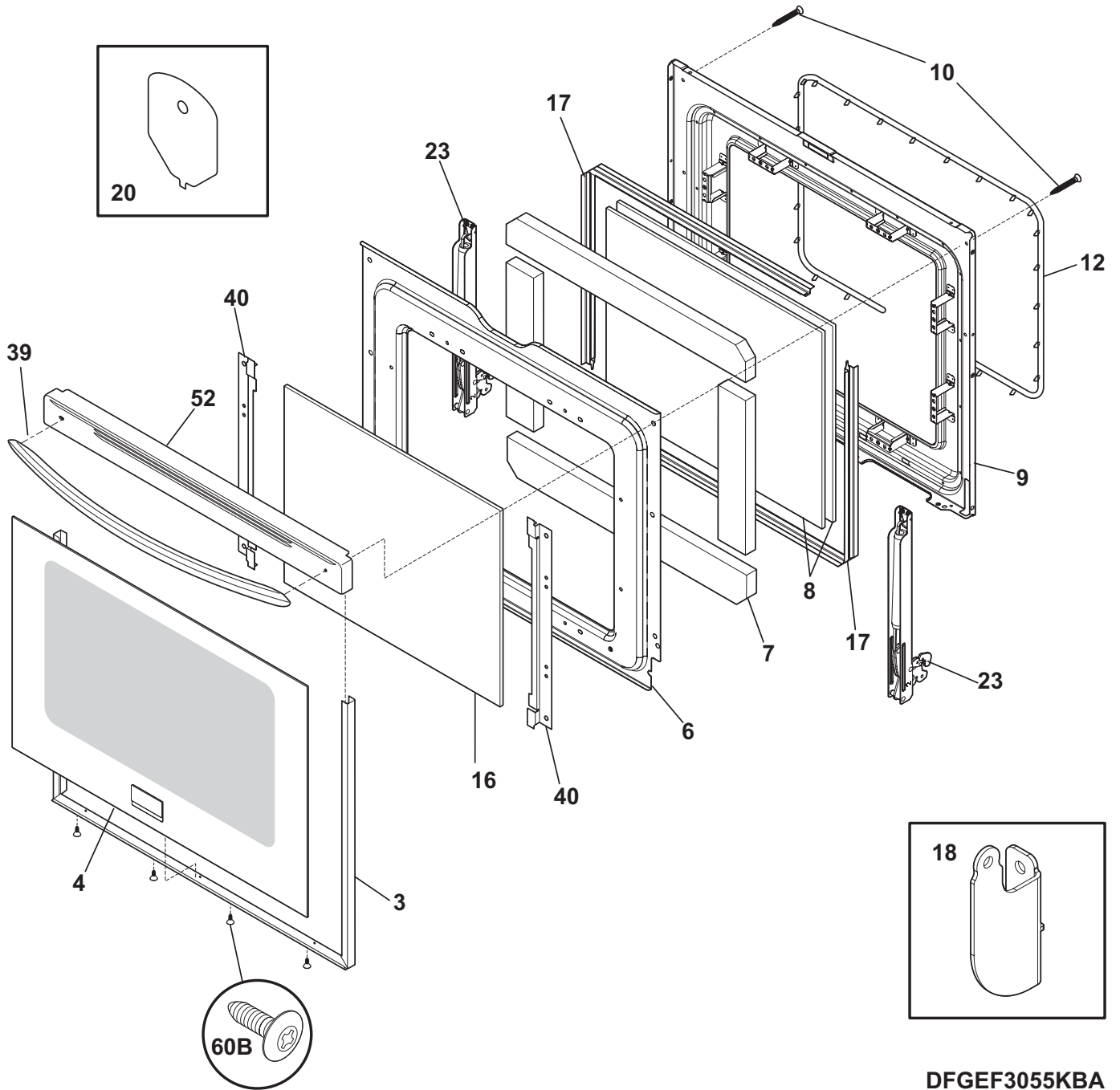
TLGEF3045KFA

TOP/DRAWER

Model Index: A FGEF3055K (FGEF3055KWA)
B FGEF3055K (FGEF3055KBA)

POS. NO	PART NO.		DESCRIPTION
1	316408703	A B	Drawer, utility
2	316403300	A B	Liner, drawer
4	316403505	A -	Panel, drawer front, white
4	316403506	- B	Panel, drawer front, black
7	316407400	A B	Glide, drawer, rear
15 #	318178110	A B	Element, surface, 6", 1200, (2), radiant
15A#	316465002	A B	Element, surface, 9", 3000W, radiant
15B#	318198934	A B	Element, surface, 12", 1700/2700W, dual radiant
15C#	318198832	A B	Element, surface, warmer, 100 W
16	316531952	A -	Maintop, steel/glass, white/black
16	316531953	- B	Maintop, steel/glass, black
18	316436600	A B	Hinge Bracket, maintop, (2)
26	316427600	A B	Channel, element support, (2)
26A	316498200	A B	Bracket-support, chassis, aluminum
26B	316214202	A B	Bracket, chassis support, front
*	316021109	A B	Screw, 8-18 x 0.5, chrome
39	316554001	A -	Handle, door/drawer, white
39	316554000	- B	Handle, door/drawer, black
52	316461700	A B	Clip, element mtg
52*	5308014215	A B	Screw, 6-20 x 0.312
60	5304414648	A B	Screw, handle mtg.
* #	316510647	A B	Harness, wiring, surface
*	316468100	A B	Cleaner, smoothtop, w/sponge
*	316021105	A B	Screw, hex head cup pt, 8-18 x 0.375, black
*	316021110	A B	Screw, 8-18 x 0.5, black
*	316089500	A B	Screw, 10-16 x .486

DOOR



DFGEF3055KBA

DOOR

Model Index: A FGEF3055K (FGEF3055KWA)
 B FGEF3055K (FGEF3055KBA)

POS. NO	PART NO.		DESCRIPTION
3	5303935318	A -	Trim kit-door, 3 sided, white, w/tape
3	5303935317	- B	Trim kit-door, 3 sided, black, w/tape
4	316566404	A -	Glass Assembly, outer, white, w/badge
4	316566405	- B	Glass Assembly, outer, black, w/badge
6	316503800	A B	Shield, wool
*	316021109	A B	Screw, 8-18 x 0.5, chrome
7	316513000	A B	Insulation, oven door
8	316502500	A B	Glass, door, inner, (2)
9	316503609	A B	Liner, oven door
10	316439505	A B	Screw, handle mtg., #10-24 x 2, (2)
12	316405000	A B	Seal, oven door
16	316502600	A B	Glass, door, airwash
17	316502101	A B	Spacer, door glass, (2)
18	316547900	A B	Link, door, (2), auto rack
20	316533801	A B	Plate, distribution, load
23	316530604	A B	Hinge, oven door, peach
23*	316418900	A B	Screw, sims lp, #8-32 x 5/16", black
39	316554001	A -	Handle, door/drawer, white
39	316554000	- B	Handle, door/drawer, black
40	316530401	A B	Bracket, airwash glass, (2)
52	316468400	A -	Cap, door trim, white
52	316468401	- B	Cap, door trim, black
60B	316021110	A B	Screw, 8-18 x 0.5, black
*	316433603	A B	Label, anti-tip