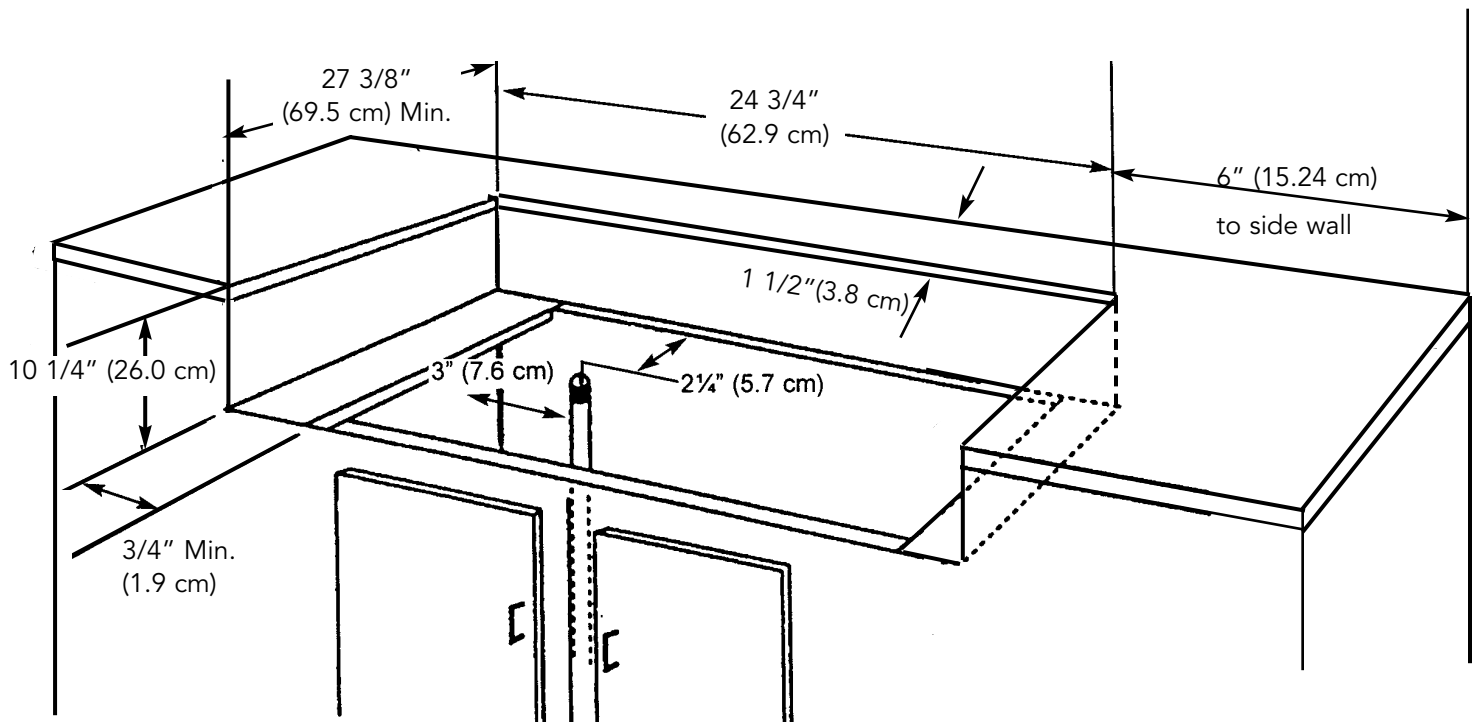


CABINET CUTOUT DIMENSIONS



PROXIMITY TO CABINET INSTALLATION

The unit may be installed directly adjacent to the existing base cabinets. **IMPORTANT** - The side trim **MUST** be 3/8" (.95 cm) above the adjacent base cabinet countertop. There is a 0" side and rear clearance to non-combustible surfaces. The unit **CANNOT** be installed directly adjacent to combustible sidewalls. There must be a minimum of 6" (15.2 cm) side and rear clearance from the unit to such combustible surfaces. This unit can not be placed under an overhead which is unprotected and combustible.

GAS CONNECTION

Verify the type of gas supply to be used, either natural or LP/Propane and make sure the marking on the wok/cooker rating plate agrees with that of the supply. Never connect an unregulated gas line to the appliance. An installer supplied gas shut-off valve must be installed in an easily accessible location. All installer supplied parts must conform to local codes, or in the absence of local codes, with National Fuel Gas Code, ANSI Z223.1-latest edition. Installation in Canada must be in accordance with the current CAN/CGA-B149.1, Natural Gas Installation Code or CAN/CGA-B149.2, Propane Installation Code and/or local codes.

All pipe sealants must be an approved type and resistant to the actions of LP gases. Never use pipe sealant on flare fittings. All gas connections should be made by a competent technician and in accordance with local codes and/or ordinances. In the absence of local codes, the installation must comply with the National Fuel Gas Code ANSI Z223.1-latest edition.

The wok/cooker and its individual shut-off valve must be disconnected from the gas supply piping system during any pressure testing of that system at test pressures in excess of 1/2 PSIG (3.5 kPa). The wok/cooker must be isolated from the gas supply piping system by closing its individual manual shut-off valve during any pressure testing of that system at test pressures equal to or less than 1/2 PSIG (3.5 kPa).

NATURAL OR LP/PROPANE FIXED PIPING CONNECTION

Connection: Standard Residential 1/2" (1.3 cm) gas service line -1/2" (1.3 cm) NPT male with 3/8" (.95 cm) flare adapter.

Operating Pressure: 4.0 W.C.P. Natural or 10.0" W.C.P. LP/Propane

Supply Pressure: 6" to 14" W.C.P. If in excess of 14" W.C.P., a step down regulator is required.

Check with your local gas utility company or with local codes for instructions on installing gas supply lines. Be sure to check on type and size of run, and how deep to bury the line. If the gas line is too small, the unit will not function properly. Any joint sealant must be an approved type and be resistive to the actions of natural or LP/Propane gas.

BASIC SPECIFICATIONS

Description	VGWT241T
Cutout Width	24 3/4" (62.9 cm)
Cutout Height	10 1/4" (26.0 cm)
Cutout Depth	Minimum - 27 3/8" (69.5 cm) Maximum - 27 7/8" (70.8 cm)
Overall Width	26 1/4" (66.7 cm)
Overall Height from Bottom	To cooking surface - 11 3/4" (29.8 cm)
Overall Depth from Rear	To end of side panel - 28 5/8" (72.7 cm) To end of control panel - 31" (78.7 cm) To end of knobs - 32 3/4" (83.2 cm)
Gas Requirements	Natural: Standard residential 1/2" (1.3 cm) ID gas service line LP/Propane: Standard residential 1/2" (1.3 cm) ID gas service line or Equipped with high capacity hose/regulator for connection to a standard 20 lb. LP/Propane cylinder with Type 1, QCC-1 connector. Unit must be ordered Natural or LP/Propane - Unit is not field convertible
Maximum amp usage	.08 amps
Burner Rating	27,500 BTU NAT./27,500 BTU LP/Propane
Approximate Shipping Weight	160 lbs. (72.0 kg)