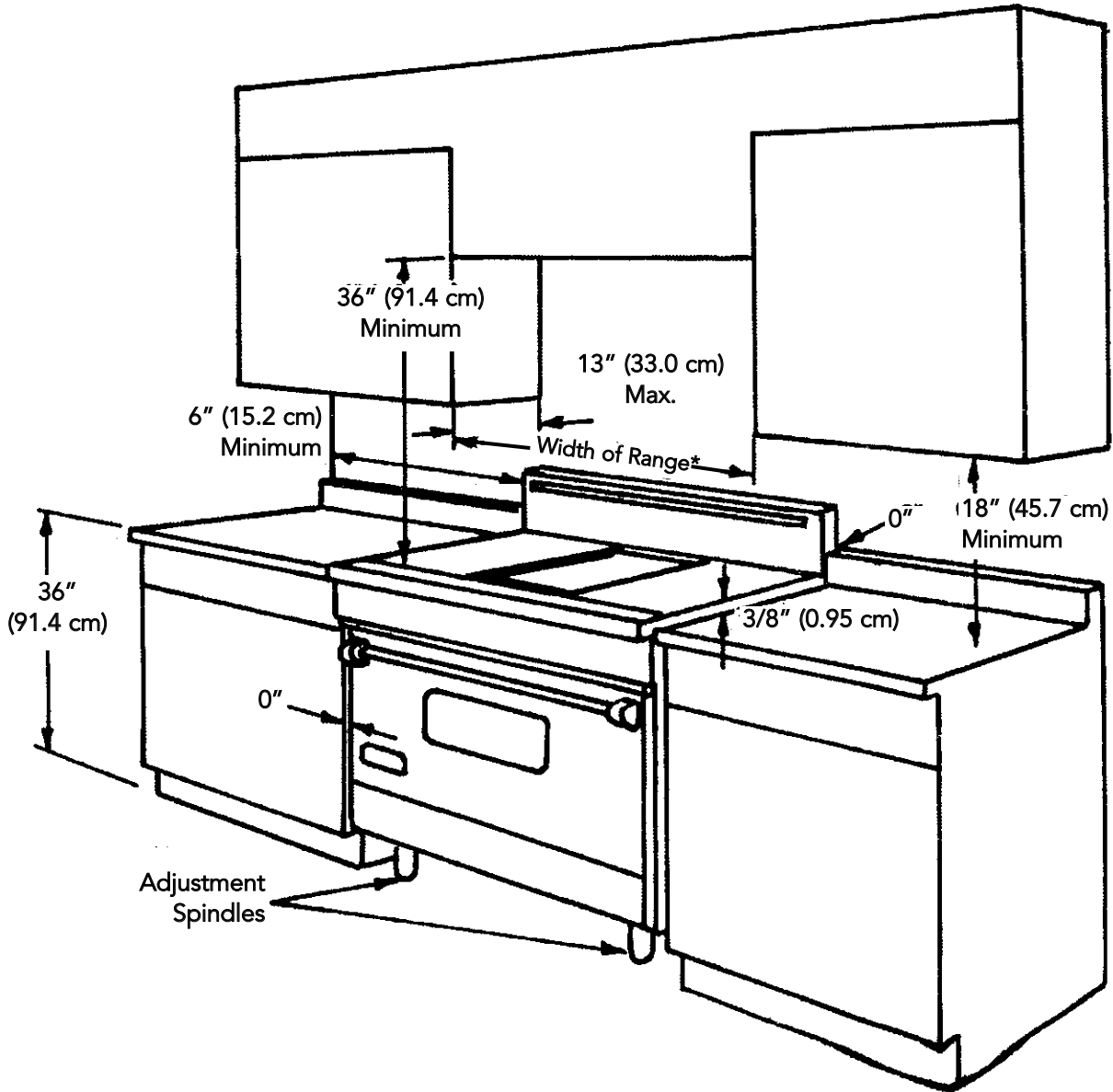


Proximity to Side Cabinet Installation

1. This range may be installed directly adjacent to existing 36" (91.4 cm) high base cabinets. **IMPORTANT:** The top grate support **MUST** be 3/8" (.95 cm) above the adjacent base cabinet countertop. This may be accomplished by raising the unit using the adjustment spindles on the legs.
2. The range **CANNOT** be installed directly adjacent to sidewalls, tall cabinets, tall appliances, or other side vertical surfaces above 36" (91.4 cm) high. There must be a minimum of 6" (15.2 cm) side clearance from the range to such combustible surfaces above the 36" (91.4 cm) counter height.
3. Within the 6" (15.2 cm) side clearance to combustible vertical surfaces above 36" (91.4 cm), the maximum wall cabinet depth must be 13" (33.0 cm) and wall cabinets within this 6" (15.2 cm) side clearance must be 18" (45.7 cm) above the 36" (91.4 cm) high countertop.
4. Wall cabinets above the range must be a minimum of 36" (91.4 cm) above the range cooking surface for the full width of the range. This minimum height requirement does not apply if a rangehood is installed over the cooking surface.



	30" W. Models	36" W. Models	48" W. Models
*Overall Width	29 7/8" (75.9 cm)	35 7/8" (91.1 cm)	47 7/8" (121.6 cm)

Basic Specifications

Description	30" W. Models	36" W. Models	48" W. Models
Overall width	29 7/8" (75.9 cm)	35 7/8" (91.1 cm)	47 7/8" (121.6 cm)
Overall height	To top of grate support - Min. 35 7/8" (91.1 cm) to Max. 37 5/8" (95.6 cm) Legs adjust 1 3/4" (4.5 cm) <u>Additions to Base Height</u> To top of spider grate - add 1 1/8" (2.9 cm) To top of island trim - add 1 1/4" (3.2 cm) To top of 6" backguard - add 6" (15.2 cm) To top of 10" backguard - add 10" (25.4 cm) To top of high shelf - add 23 1/2" (59.7 cm)		
Overall depth from rear	To end of side panel - 24 15/16" (63.3 cm) To end of control panel - 27 7/8" (70.8 cm) To end of knobs - 28 3/8" (72.0 cm)		
Electrical requirements	120 VAC/60 Hz; 4 ft. (121.9 cm), 3-wire cord with grounded 3-prong plug attached to unit.		
Gas requirements	Shipped natural gas standard; field convert to LP/Propane with standard convertible regulator; accepts standard residential 1/2" (1.3 cm) ID gas service line.		
Maximum amp usage/ Maximum rated input	2.3 amps	6B - 2.3 amps 4G - 6.0 amps 4Q - 2.4 amps	6G - 6.4 amps 6Q - 2.4 amps 4G - 10.0 amps 4Q - 2.4 amps 4GQ - 6.4 amps 8B - 2.4 amps
Surface burner rating	15,000 BTU Nat. / 13,500 BTU LP (4.4 kW Nat / 4.0 kW LP)		
Griddle burner rating	N/A	15,000 BTU Nat. / 13,500 BTU LP (4.4 kW Nat. / 4.0 kW LP)	
Grill burner rating	N/A	18,000 BTU Nat. / 16,000 BTU LP (5.3 kW Nat. / 4.7 kW LP)	
Broil rating	18,000 BTU Nat./ 16,000 BTU LP (5.3 kW Nat. / 4.7 kW LP)		
Bake rating	30,000 BTU Nat./LP (9.8 kW Nat./LP)		Right 30,000 BTU Nat./LP (9.8 kW Nat./LP) Left 15,000 BTU Nat/LP (4.4 kW Nat.)
Oven Interior width	23" (58.4 cm)	29" (73.7cm)	Right - 23" (58.4 cm) Left - 12 1/8" (30.8 cm)
Oven Interior height	16 18/" (41.0 cm)		
Oven Interior depth	15 3/8" (39.1 cm)		Right- 15 3/8"(39.1 cm) Left - 17 1/4"(43.8 cm)
Oven Interior overall size	3.3 cu. ft.	4.2 cu. ft.	Right - 3.3 cu. ft. Left - 2.1 cu. ft.
Approximate Shipping wt.	424 lbs. (190.8 kg)	6B - 465 lb. (209.3 kg) 4Q - 470 lb. (211.5 kg) 4G - 475 lb. (213.8 kg)	6G - 624 lb. (280.8 kg) 6Q - 620 lb. (279.0 kg) 4G - 634 lb. (285.3 kg) 4Q - 620 lb. (279.0 kg) 4GQ - 629 lb. (283.1 kg) 8B - 620 lb. (279.0 kg)

Minimum clearances from adjacent combustible construction

- Cooking surface and below (36" [91.4 cm] and below)
 - Sides - 0"
 - Rear - 0" with backguard or high shelf; 0" with island trim and non-combustible rear wall; 6" (15.2 cm) with island trim and combustible rear wall.
 - Top grate support - 36" (91.4 cm)
- Above cooking surface (above 36" [91.4 cm])
 - Sides - 6" (15.2 cm)
 - Within 6" (15.2 cm) side clearance, wall cabinets no deeper than 13" (33.0 cm) must be minimum 18" (45.7 cm) above cooking surface.
 - Wall cabinets directly above product must be minimum 36" (91.4 cm) above cooking surface
- Use range only with factory supplied legs.