

*Frigidaire*

Factory Parts Catalog

Product No.	FGGF3031KBA	FGGF3031KQA	FGGF3031KWA
Series	30" f/s gas	30" f/s gas	30" f/s gas
Color	black	bisque	white
Market	North America	North America	North America
Owner's Guide	316901203	316901203	316901203
Installation Instructions	316259343	316259343	316259343
Service Data Sheet	316904012	316904012	316904012

 **Electrolux**

Electrolux Major Appliances  
North & Latin America  
P.O. BOX 212378  
AUGUSTA, GA 30917

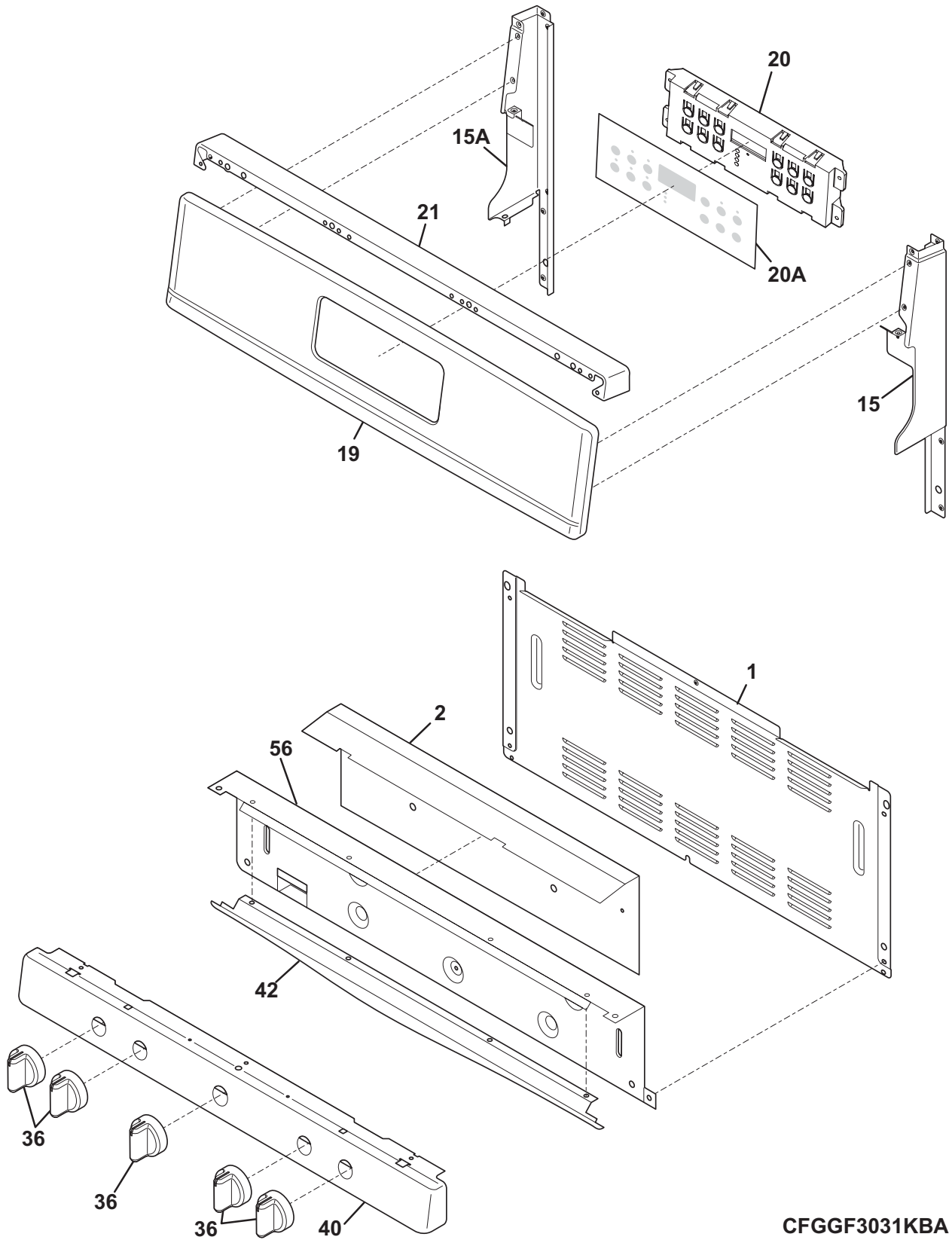
Publication No.  
**5995538757**  
09/04/23  
(EN/SERVICE/ECL)  
369

**30-INCH FREE-  
STANDING GAS  
RANGE**

Model No.  
**FGGF3031K**

Copyright © 2009 Electrolux Home Products, Inc.  
All rights reserved.

**BACKGUARD**



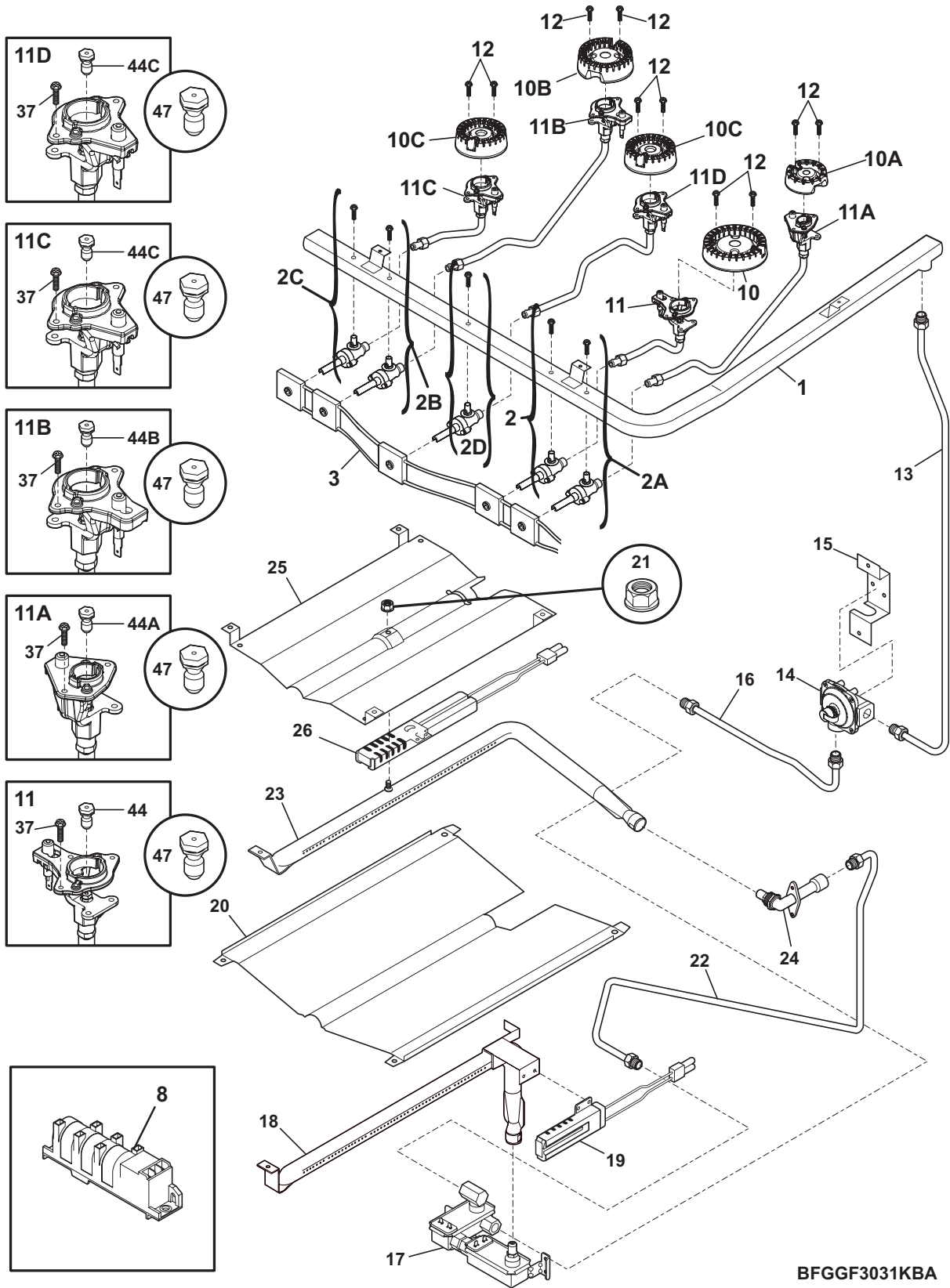
**CFGGF3031KBA**

**BACKGUARD**

*Model Index:* A FGGF3031K (FGGF3031KBA)  
 B FGGF3031K (FGGF3031KQA)  
 C FGGF3031K (FGGF3031KWA)

POS. NO	PART NO.		DESCRIPTION
1	316557600	A B C	Shield, rear wall
2	316497601	A B C	Shield, backguard, inner
15	316546702	A - -	Cap, backguard, black, RH end
15	316546706	- B -	Cap, backguard, bisque, RH end
15	316546704	- - C	Cap, backguard, white, RH end
15A	316546703	A - -	Cap, backguard, black, LH end
15A	316546707	- B -	Cap, backguard, bisque, LH end
15A	316546705	- - C	Cap, backguard, white, LH end
19	316572405	A - -	Panel, backguard, black
19	316572404	- B -	Panel, backguard, bisque
19	316572403	- - C	Panel, backguard, white
20 #	316418301	A B C	Clock/Timer, electronic, ES330
*	316021110	A B C	Screw, 8-18 x 0.5, black
20A	316419333	A - -	Overlay, clock, black, ES330
20A	316419334	- B -	Overlay, clock, bisque, ES330
20A	316419332	- - C	Overlay, clock, white, ES330
21	316546601	A - -	Cap, backguard, black, top
21	316546603	- B -	Cap, backguard, bisque, top
21	316546602	- - C	Cap, backguard, white, top
36	316564508	A - -	Knob, top valve, black, (5)
36	316545013	- B -	Knob, top valve, bisque, (5)
36	316545005	- - C	Knob, top valve, white, (5)
40	316447397	A - -	Panel, manifold, black
40	316561900	- B -	Panel, manifold, bisque
40	316447396	- - C	Panel, manifold, white
*	316021108	A B C	Screw, cup pt, 8-18 x 0.375, chrome
*	316021109	A B C	Screw, 8-18 x 0.5, chrome
42	316416200	A - -	Trim, extrusion, black
42	316416202	- B -	Trim, extrusion, tan
42	316416201	- - C	Trim, extrusion, gray
56	316230701	A B C	Shield, backguard, inner
*	316021105	A B C	Screw, hex head cup pt, 8-18 x 0.375, black
*	316089500	A B C	Screw, 10-16 x .486

**BURNER**



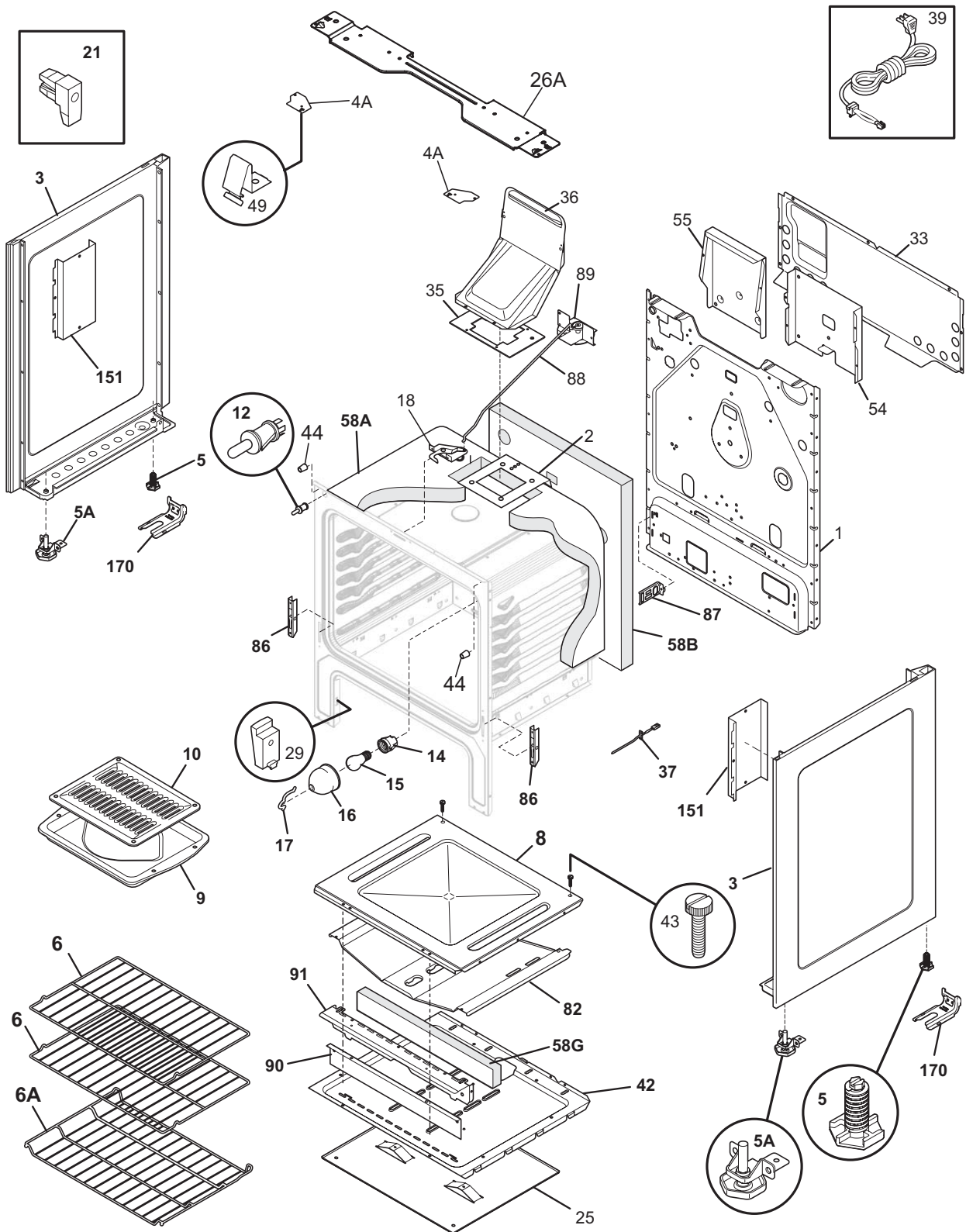
**BFGGF3031KBA**

**BURNER**

Model Index: A FGGF3031K (FGGF3031KBA)  
 B FGGF3031K (FGGF3031KQA)  
 C FGGF3031K (FGGF3031KWA)

POS. NO	PART NO.		DESCRIPTION
1 #	316551202	A B C	Manifold, pipe
2 #	5303935233	A B C	Valve, 17K burner, w/mtg screw
2A #	5303935235	A B C	Valve, 5K burner, w/mtg screw
2B #	5303935236	A B C	Valve, 14K burner, w/mtg screw
2C #	5303935234	A B C	Valve, 9.5K burner, w/mtg screw
*	316215600	A B C	Screw, valve mtg., 1/4 - 20
3 #	316219023	A B C	Wiring Harness, w/igntr switch
8 #	318079001	A B C	Module, spark
*	316443200	A B C	Bracket-support
*	316021109	A B C	Screw, 8-18 x 0.5, chrome
10 #	316438400	A B C	Burner, sealed, 16/17K
10A#	316438200	A B C	Burner, sealed, 5K
10B#	316438600	A B C	Burner, sealed, 14K
10C#	316527400	A B C	Burner, sealed, 9.5K
11 #	316449603	A B C	Ignitor/orifice assy, top burner, right front, 17K, w/tube & holder
11A#	316449500	A B C	Ignitor/orifice assy., top burner, right rear, 5K, w/holder, tube
11B#	316548102	A B C	Ignitor/orifice assy., top burner, left rear, 14K, w/holder, tube
11C#	316449302	A B C	Ignitor/orifice assy., top burner, left front, 9.5K, w/tube & holder
11D#	316449304	A B C	Ignitor/orifice assy., top burner, center, 9.5K, w/tube & holder
12	316529700	A B C	Screw, burner head, mtg., (8)
13 #	316545700	A B C	Tube, 3/8, aluminum, rgltr to manf, with fittings
14 #	316091706	A B C	Regulator, pressure
14*	316021104	A B C	Screw, hex, 8-18 x 3/8, nick, (3), regulator brkt
15	316091600	A B C	Bracket, regulator
16 #	316431000	A B C	Tube-valve to rgltr, 3/8
17 #	316404901	A B C	Valve, safety
17*	316498100	A B C	Shield, wire, safety valve
*	316089500	A B C	Screw, 10-16 x .486
18 #	316404400	A B C	Burner, oven
19 #	316489404	A B C	Ignitor, oven burner
20	316401401	A B C	Baffle, oven burner
21	5303013272	A B C	Nut, hex head sems
22 #	316537100	A B C	Tube-valve to mixer
23 #	316404300	A B C	Burner, broiler
24 #	316409700	A B C	Elbow, mixer
*	316021132	A B C	Screw, 8-18 X 11/16, black, (3)
25	316401301	A B C	Baffle, broil burner
26 #	316489403	A B C	Ignitor, burner
26*	316401500	A B C	Cover, broil Ignitor
37	316240600	A B C	Screw, assy mtg, (8), ignitor/orifice
44 #	316527511	A B C	Orifice, top burner, 14K
44A#	316527504	A B C	Orifice, top burner, 5K
44B#	316527509	A B C	Orifice, top burner, 17K
44C#	316527500	A B C	Orifice, top burner, 9.5K
47 #	GRLP3	A B C	LP Conversion Kit, w/instructions
47*	316417518	A B C	Instructions, LP conversion
* #	316526902	A B C	Harness, ignitor
* #	316064103	A B C	Wire, ground assembly
*	316001003	A B C	Screw, ground wire
*	316021105	A B C	Screw, hex head cup pt, 8-18 x 0.375, black
*	316021110	A B C	Screw, 8-18 x 0.5, black

**BODY**



**NOTE: Oven Liner N/A  
Ass. du four N/A**

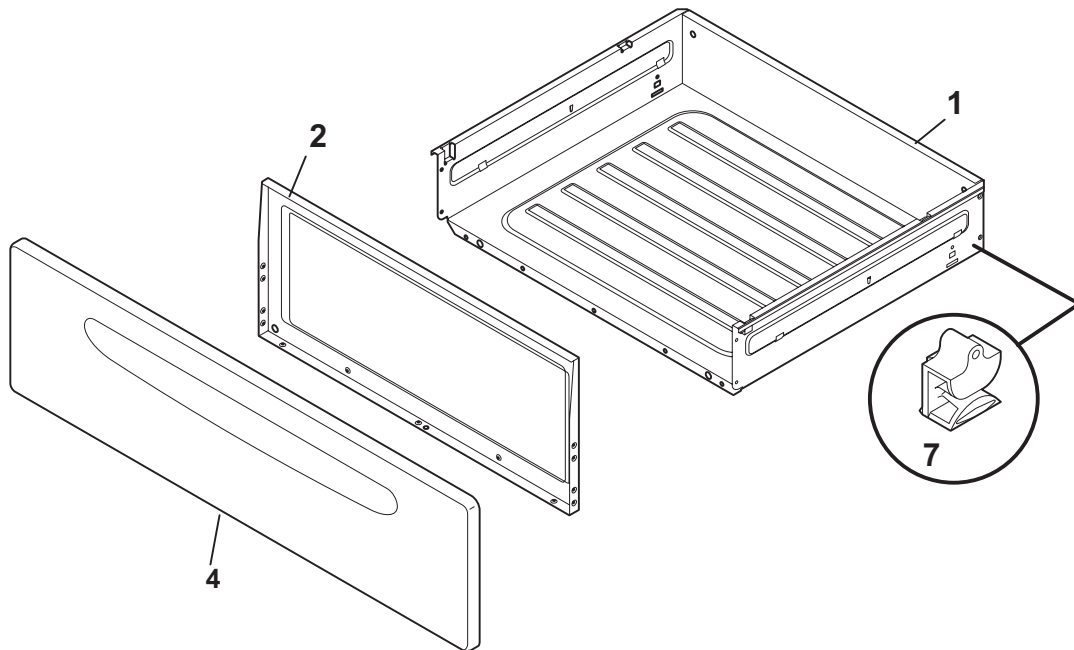
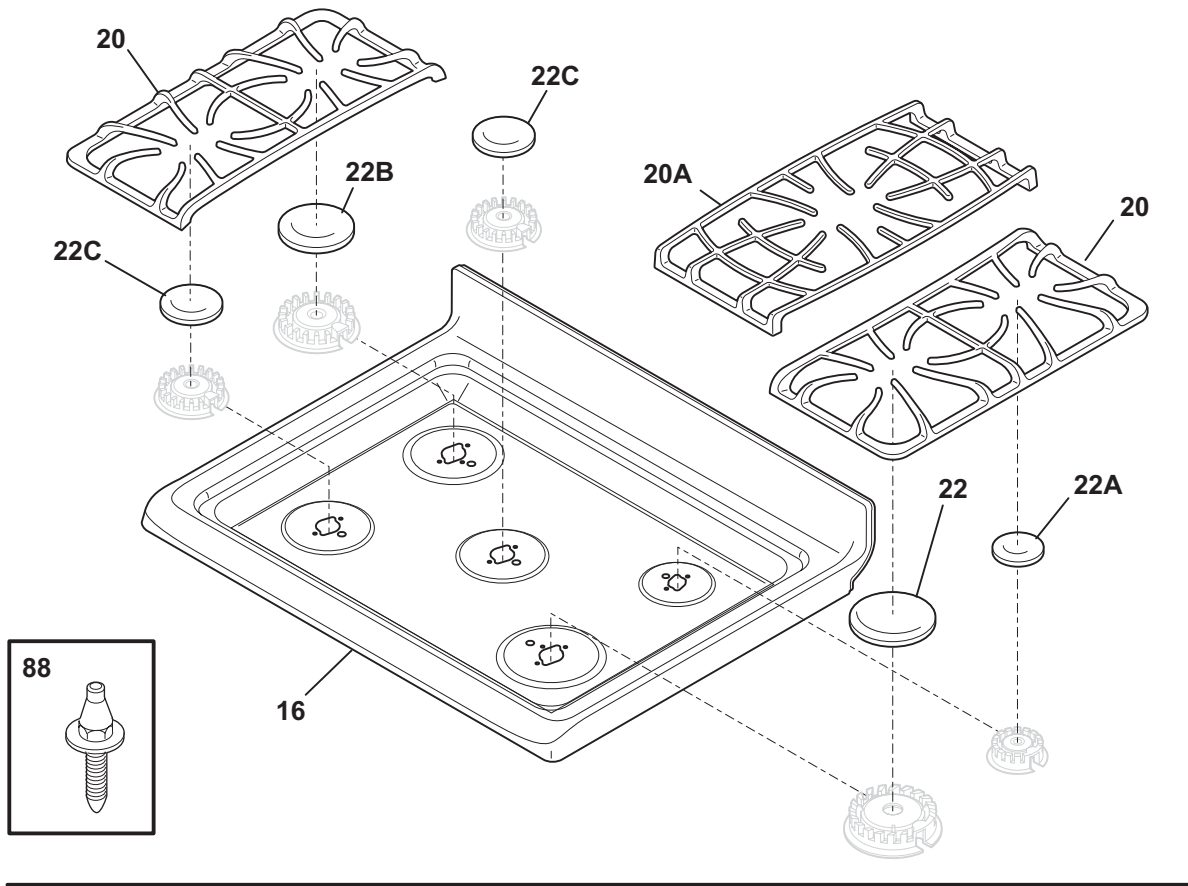
**VFGGF3031KBA**

**BODY**

Model Index: A FGGF3031K (FGGF3031KBA)  
 B FGGF3031K (FGGF3031KQA)  
 C FGGF3031K (FGGF3031KWA)

POS. NO	PART NO.		DESCRIPTION
1	316401600	A B C	Back, main
*	316021109	A B C	Screw, 8-18 x 0.5, chrome
2	316437100	A B C	Brace, oven top
*	316021132	A B C	Screw, 8-18 X 11/16, black, (3)
3	316400118	A - -	Panel, bodyside, black, RH
3	316400119	A - -	Panel, bodyside, black, LH
3	316400120	- B -	Panel, bodyside, bisque, RH
3	316400121	- B -	Panel, bodyside, bisque, LH
3	316400116	- - C	Panel, bodyside, white, RH
3	316400117	- - C	Panel, bodyside, white, LH
4A	316446900	A B C	Bracket, chassis, front, (2)
5	316272900	A B C	Screw, leveling, plastic, rear, (2)
5A	316498900	A B C	Leveling Leg Assy, metal, front, (2), bracket & leg
6	316496202	A B C	Rack, oven, (2)
6A	316496206	A B C	Rack, oven, (1)
8	316400603	A B C	Panel, oven bottom
9	316081900	A B C	Pan, broiler, OPTIONAL ACCESSORY
10	316082000	A B C	Insert, broiler pan, OPTIONAL ACCESSORY
12 #	316445500	A B C	Switch, oven light, door frame
14 #	316116400	A B C	Receptacle, oven light
15 #	316538901	A B C	Lamp, oven light
16	318406100	A B C	Lens, oven light, glass
17	316087500	A B C	Retainer, lens
18	316405800	A B C	Latch Assembly, oven door
*	5303285179	A B C	Screw, wafer head, 8-32T x 0.500, black
21	316408000	A B C	Clip, bodyside
25	316406200	A B C	Shield, heat, lower
26A	316498200	A B C	Bracket-support, chassis, aluminum
29	316407301	A B C	Glide, drawer, front
33	316405900	A B C	Shield, rear wall
35	316542100	A B C	Gasket-flue
36	316208901	A B C	Flue
37 #	316490000	A B C	Probe, oven temp
39 #	3202006	A B C	Cord, electric power
42	316400700	A B C	Shield, wool, lower
43	3131732	A B C	Screw, 8-18 x 1.438, oven bottom
44	316517600	A B C	Spacer, oven door
49	316260000	A B C	Clip, maintop mtg. (2)
54	316404200	A B C	Shield, heat
55	316404800	A B C	Shield, flue
58A	316403700	A B C	Insulation, oven wrapper
58B	316403600	A B C	Insulation, oven back
58G	08067973	A B C	Insulation, main front
82	316400801	A B C	Shield, bake burner
86	316537400	A B C	Receptacle, hinge, (2)
*	316418900	A B C	Screw, sims lp, #8-32 x 5/16", black
87	316401201	A B C	Bracket, harness
88	316232700	A B C	Rod, auto latch
89 #	316439000	A B C	Motor, latch/lock
90	316401100	A B C	Shield, main front
91	316401000	A B C	Shield, front, burner
151	316404600	A B C	Shield, bodyside
170	316112004	A B C	Anti Tip Kit, assembly
170*	316107200	A B C	Bracket, anti-tip
170*	316116000	A B C	Screw, concrete, 1.75", anti-tip brkt
170*	316541700	A B C	Template, anti-tip
* #	316512556	A B C	Harness Wiring, main
*	316539800	A B C	Retainer, wire
*	316432800	A B C	Clip, wire
*	316021105	A B C	Screw, hex head cup pt, 8-18 x 0.375, black
*	316021110	A B C	Screw, 8-18 x 0.5, black
*	316089500	A B C	Screw, 10-16 x .486

TOP/DRAWER



TFGGF3031KBA

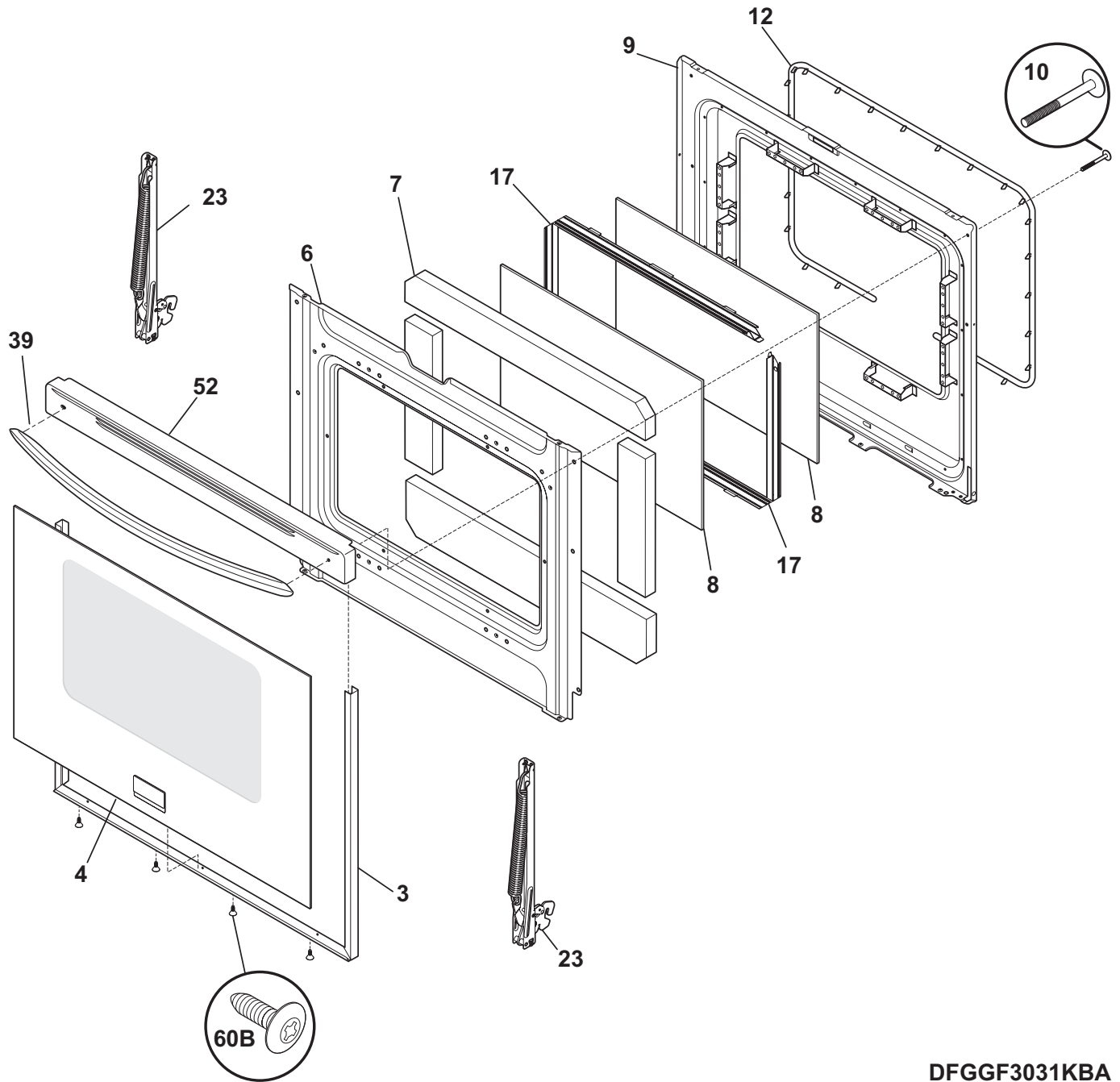


**TOP/DRAWER**

*Model Index:* A FGGF3031K (FGGF3031KBA)  
 B FGGF3031K (FGGF3031KQA)  
 C FGGF3031K (FGGF3031KWA)

POS. NO	PART NO.		DESCRIPTION
1	316408703	A B C	Drawer, utility
*	316021110	A B C	Screw, 8-18 x 0.5, black
2	316403200	A B C	Liner, drawer
4	316403402	A - -	Panel, drawer, black, front
4	316403403	- B -	Panel, drawer, bisque, front
4	316403401	- - C	Panel, drawer, white, front
7	316407400	A B C	Glide, drawer, rear
16	316469661	A - -	Maintop panel, black
16	316469663	- B -	Maintop panel, bisque
16	316469662	- - C	Maintop panel, white
20	316499502	A B C	Grate, black, (2)
20A	316551802	A B C	Grate, center, black
22	316438504	A B C	Cap, 16/17K-burner, black
22A	316438304	A B C	Cap, 5K burner, black
22B	316438704	A B C	Cap, 14K burner, black
22C	316527704	A B C	Cap, 9.5K burner, black, medium
88	316099500	A B C	Pin, guide, (2)
*	316021105	A B C	Screw, hex head cup pt, 8-18 x 0.375, black

DOOR



DFGGF3031KBA

---

**DOOR**


---

*Model Index:*   A FGGF3031K (FGGF3031KBA)  
                       B FGGF3031K (FGGF3031KQA)  
                       C FGGF3031K (FGGF3031KWA)

POS. NO	PART NO.		DESCRIPTION
3	5303935324	A - -	Trim kit-door, 3 sided, black, w/tape
3	5303935325	- B -	Trim kit-door, 3 sided, bisque, w/tape
3	5303935326	- - C	Trim kit-door, 3 sided, white, w/tape
4	316566403	A - -	Glass Assembly, outer, black, w/badge
4	316566402	- B -	Glass Assembly, outer, bisque, w/badge
4	316566400	- - C	Glass Assembly, outer, white, w/badge
6	316402306	A B C	Shield, wool
*	316021109	A B C	Screw, 8-18 x 0.5, chrome
7	316403900	A B C	Insulation, oven door
8	316117500	A B C	Glass, oven door, heat barrier
9	316423801	A B C	Liner, oven door
10	316433300	A B C	Screw, 10-14 x 2.125", handle mtg.
12	316403101	A B C	Seal, oven door
17	316402403	A B C	Spacer, door glass, (2)
23	316537302	A B C	Hinge, oven door, black tita, (2)
23*	316418900	A B C	Screw, sims lp, #8-32 x 5/16", black
39	316544500	A - -	Handle, door, black
39	316544502	- B -	Handle, door, bisque
39	316544501	- - C	Handle, door, white
52	316468401	A - -	Cap, door trim, black
52	316468402	- B -	Cap, door trim, bisque
52	316468400	- - C	Cap, door trim, white
60B	316021110	A B C	Screw, 8-18 x 0.5, black
*	316433603	A B C	Label, anti-tip