



get *Cool*

ingredients. Because even the ice matters when savouring your favorite single malt whisky.

Whether it's the refrigerated drawers, wine cellar, gourmet ice machine or refrigerator, you can expect the classic Aga style you love and the state-of-the-art performance you demand.

MODEL INFORMATION

Cabinet Dimensions	Wine Cellar	Ice Machine	Refrigerated Drawers	Refrigerator
Height	34"	34 1/4"	34"	34"
Width	23 7/8"	14 7/8"	23 7/8"	23 7/8"
Depth(including doors)	25 1/2"	24 3/8"	25 1/4"	25 1/2"
Storage Capacity				
Capacity	6.1 cu. ft.	35 lbs. of ice	5.7 cu. ft.	6.1 cu. ft.
Shipping Weight				
Pounds (Approximate)	130 lbs.	100 lbs.	180 lbs.	120 lbs.
Electrical Information				
Electrical Requirements	115 V/60 Hz/ 15 amp circuit	115 V/60 Hz/ 15 amp circuit	120 V/15 amp circuit	115 V/60 Hz/ 15 amp circuit
Max Run Amps	3.3	3.3	3.3	3.3
Max Start Amps	12.0	12.0	12.0	12.0
Plug Location	Locate a three-prong grounded receptacle in one of three locations: (1) on the wall in the adjacent cabinet opening, (2) flush on the back of the refrigerator opening (add 1" to the overall depth of the unit to accommodate plug), or (3) recessed 1" into the back of the wall of the refrigerator opening.			

INSTALLATION SPECIFICATIONS

Exterior Cabinet Dimensions	Wine Cellar	Ice Machine	Refrigerated Drawers	Refrigerator
Height - A	34"	34 1/4"	34"	34"
Width - B	23 7/8"	14 7/8"	23 7/8"	23 7/8"
Depth Without Door - C	22"	21 3/4"	22"	22"
Depth With Door Less Handle - D†	25 1/4"	24 3/8"	25 1/4"	25 1/4"
Toe Kick - E	3"	3 1/2" *	3"	3"
Finished Rough Opening Dimensions (Approximate)				
Height - F	34 1/2"	34 1/2"	34 1/2"	34 1/2"
Width - G	24"	15"	24"	24"
Minimum Depth - H **	24"	24" §	24"	24"
Miscellaneous				
Height with Leveling Legs Installed - I	34 1/4"-35"	34 1/4"-35"	34 1/4"-35"	34 1/4"-35"
Minimum Door Clearance Required - J	25 1/2"	16 3/8"	26"	25 1/2"

* Height from floor to top of grill is 8"
 ** Depth does not include allowance for electrical plug. See Plug Location for information.
 † To determine depth including handle, add 2 1/2".
 § Allow additional 2" for water line connection if connected directly behind unit.

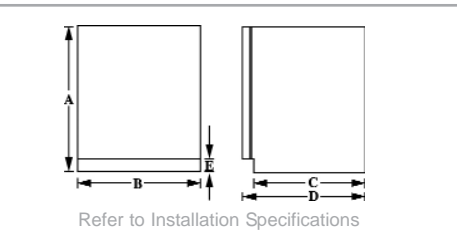
The information presented herein is based on the best data available and is believed to be correct. However, nothing stated herein is to be taken as warranty expressed or implied, regarding the accuracy of the information or the use of our product or products. Specifications are subject to change without notice.

110 Woodcrest Road
 Cherry Hill, NJ 08003-3648

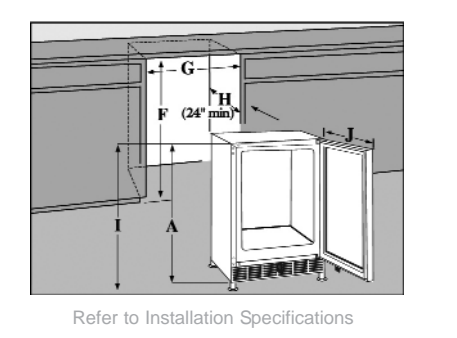


For additional product information or to locate a dealer call 866.4AGA.4USA or visit www.aga-ranges.com.

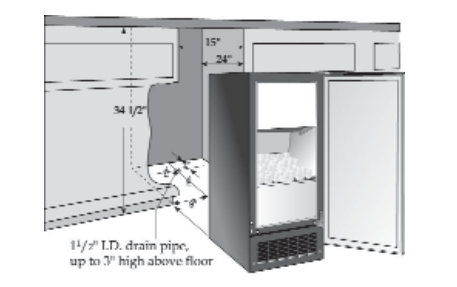
Exterior Cabinet Dimensions



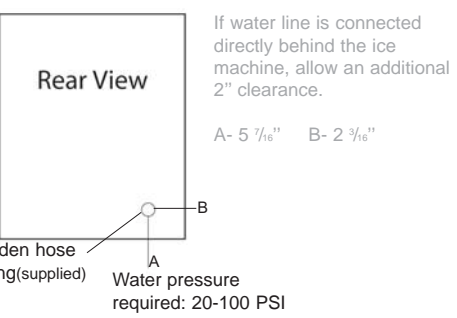
Finished Rough Opening Dimensions



Gravity Drain Location



Ice Machine Water Connection



Drain Pump for Clear Ice Machine

This rugged, compact drain pump installs easily. The sealed-reservoir drain pump is designed especially for applications where a floor drain is not readily accessible.

- Pumps drain water to the nearest drain
- Sealed reservoir prevents leaks and over flow, even during power outages
- Clog resistant; automatic power shut-off
- Rated at 8 ft for vertical lift and 20 ft for horizontal run
- Measures just 5 1/2"H x 4 1/2"W x 9 1/4"L



COOK BETTER. EAT BETTER. TASTE BETTER. LIVE BETTER.



Because wine tastes better when shared. Because epic meals begin with the freshest

You appreciate little details. Only the best will do. For 80 years Aga has been synonymous with superior handmade craftsmanship. And now our signature undercounter refrigeration collection continues the tradition.

GOURMET ICE MACHINE

Whether you're enjoying your favorite single malt whisky or serving up cocktails, the ice matters. Simply freezing water also freezes the impurities that are in it, altering its taste and any beverages it touches. The Aga gourmet ice machine uses the most technologically advanced freezing method available, fractional freezing. As cold water continuously flows over a grid, air is released from the ice as it forms in layers, creating perfect three-quarter inch square ice cubes free of all odors, minerals, and contaminants. The result is crystal clear, restaurant quality, so you'll never have cloudy ice again. And with the capacity to produce and store up to 35 pounds per day, you'll never run out of ice again either!

With the ability to complement any décor, Aga's gourmet ice machine provides a stylish accent with superior performance, designed to fit almost anywhere in your home.



claret



blue

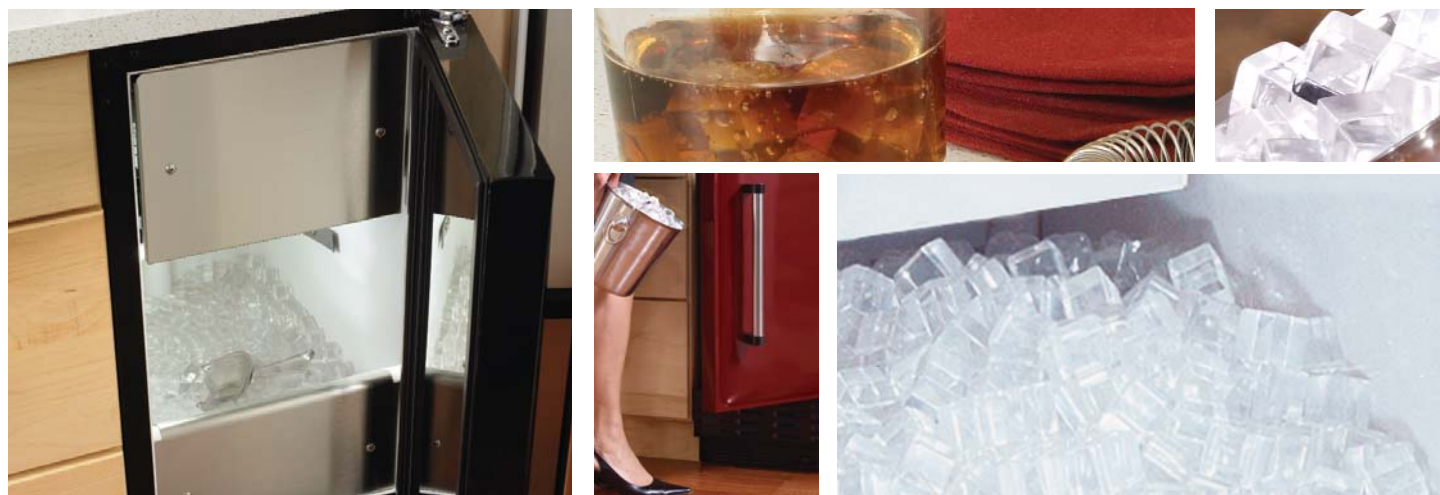


cream



black

- Signature Aga style contoured door
- Designed to fit under countertops with zero clearance for an integrated look
- At just 15 inches wide, fits easily into any design
- Fractional freezing provides crystal clear ice cubes
- Produces and stores up to 35 pounds of gourmet ice per day
- Includes sturdy stainless ice scoop
- Requires gravity drain or optional Aga Drain Pump (see specification page)
- Full auto defrost



WINE CELLAR

The Aga wine cellar is the ultimate combination of form and function. The signature design fits into any décor, and premium features create the ideal wine storage environment.

Precise temperature and humidity controls keep wines at the optimal storage temperature. Vibration free operation ensures your prized bottles rest quietly. Crafted of dual pane, tinted UV-resistant glass, the door's window protects from damaging ultraviolet rays, while the ebony interior absorbs light to optimize storage conditions. And a unique interior lighting system displays your wines elegantly.

Our wine cellar accommodates up to 54 bottles on perfectly canted glide-out racks that cradle your wines. Even magnums and champagne bottles! So, whether you're a connoisseur or someone who occasionally enjoys a glass of Chardonnay with friends, your bottles will be stored properly for years to come.



claret



blue



cream



black

- Signature Aga style contoured door
- Designed to fit under countertops with zero clearance for an integrated look
- Sleek ebony interior absorbs damaging light
- Low wattage lighting elegantly displays wines
- Glide-out racks cradle bottles to keep corks moist
- Rack Facings can be stained to match any décor
- Quiet 440BTU compressor provides cooler running temperature
- Precise temperature and humidity controls ensure proper storage
- Low velocity fan provides uniform temperature throughout cabinet
- Accommodates up to 54 bottles, including magnums



REFRIGERATED DRAWERS

Aga's refrigerated drawers turn convenience into a luxury. At just twenty-four inches wide, it fits almost anywhere. The stainless steel interior brings commercial-quality fresh food storage right into your kitchen. And it offers the greatest usable capacity in its class.

Organization is easy too, with two signature storage options that can be used on their own or combined to create a completely custom configuration. The European-style Gastronorm System is a network of stainless steel pans like those used in professional kitchens. Clear lids allow you to easily check contents and dishwasher safe pans are easily removed to accompany you to prep, cook and serving areas. The Drawer Divider is a unique grid style organization system with fully adjustable stainless steel dividers that conform to the drawer's contents, no matter how much or how little is inside.



claret



blue



cream



black

- Signature Aga style contoured door
- Designed to fit under countertops with zero clearance for an integrated look
- Stainless steel interiors offer commercial quality storage
- Provides 5.7 cubic feet of refrigerated storage space
- Full extension drawer slides offer easy access to the entire drawer, all the way to the back
- The extra deep lower drawer vertically stores 2 liter and opened wine bottles
- LED light system provides clean, bright interior lighting
- Full auto defrost

STORAGE OPTIONS- A. Gastronorm System B. Drawer Divider



UNDERCOUNTER REFRIGERATOR

Aga's undercounter refrigerator offers the perfect marriage of style and convenience. Designed to fit almost anywhere in your home, it offers superior storage of snacks, beverages, and other foods in the office, family room, bar, or kitchen.

Using the most modern refrigeration technology, Aga has once again created a product that outperforms the competition in both style and function. Whether situated under the counter, built-in at working height, or even placed side-by-side, the Aga refrigerator makes convenience a luxury. At a compact twenty-four inches it slips into any design, but has the features you would expect from a full-size refrigerator. And generous capacity too! It is 6.1 cubic feet of storage space easily accommodates an eighteen-inch hors d'oeuvre tray or 190 twelve-ounce cans. Whether you are storing snacks, beverages or the frequently used items, the Aga undercounter refrigerator is essential for effortless entertaining.



claret



blue



cream



black

- Signature Aga style contoured door
- Designed to fit under countertops with zero clearance for an integrated look
- 6.1 cubic feet of storage space easily accommodates an 18" deli tray or up to 190 12-ounce cans
- Cabinet includes two glass interior shelves and three door shelves
- Thermostat adjusts from 33-45 degrees for temperature customization
- Automatic interior light

