

MASTERPIECE SERIES SINGLE OVEN

Thermador® | An American Icon™



Masterpiece Series stainless steel single oven.

FEATURES & BENEFITS

Modern styling coordinates with other Masterpiece Collection products

Fast preheat

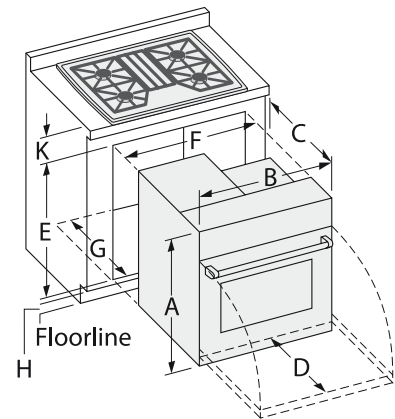
Massive 4.7 cu. ft. oven cavity

Concealed bake element for enlarged capacity

12 different cooking modes including EasyCook, which offers 20 pre-stored recipes

Save your favorite recipes with the Favorites feature

SKU	M271E/M301E
Size	27"/30"
Type	Single
Color - Stainless Steel	M271ES/M301ES
Color - Black	-
Color - White	-
Cavity Size*	4.7 cu. ft.
Control	Glass Touch Control
Display	Blue Full-Text
<b>MAIN FEATURES</b>	
Masterpiece Design	■
True Convection	-
Convection Bake, Broil, Roast	■
Bake, Broil, Roast	■
Speed Convection	-
Proof	■
Warm	■
Fast Preheat	■
Dehydrate	-
Meat Probe	-
Sabbath Mode	■
Panel lock	■
Self-Clean	■
Self-Clean Rack Supports	■
Full Access® Telescopic Racks**	-
Professional-Style Racks	3
Porcelain Broiler Pan	■
Halogen Lighting Per Cavity	2/3
Concealed Bake Element	■



Model No.	Overall Dimensions				Cutout Dimensions***					Door Handle Projection	Dual-Rated 120/208-240V, 4 Wire, 60 Hz.	Amps
	A	B	C	D	E	F	G	H	K			
Masterpiece												
M271E (27")	29 <sup>1</sup> / <sub>16</sub>	26 <sup>3</sup> / <sub>4</sub>	23 <sup>7</sup> / <sub>8</sub>	22	28 <sup>1</sup> / <sub>4</sub>	25 <sup>1</sup> / <sub>2</sub>	24	4 <sup>3</sup> / <sub>4</sub> min	3	3 <sup>11</sup> / <sub>16</sub>	■	30
M301E (30")	29 <sup>1</sup> / <sub>16</sub>	29 <sup>3</sup> / <sub>4</sub>	23 <sup>7</sup> / <sub>8</sub>	22	28 <sup>1</sup> / <sub>4</sub>	28 <sup>1</sup> / <sub>2</sub>	24	4 <sup>3</sup> / <sub>4</sub> min	3	3 <sup>11</sup> / <sub>16</sub>	■	30

BSH reserves the absolute and unrestricted right to change product materials and specifications, at any time, without notice. Consult the product's installation instructions for final dimensional data and other details. Applicable product warranty can be found in accompanying product literature (or you may contact your account manager for further details). **Notes:** All height, width and depth dimensions are shown in inches. \*According to AHAM standards. \*\*Available as separate accessory: TLSCPRCK30" for a 30" oven and TLSCPRCK27 for a 27" oven. \*\*\*Please refer to installation instructions prior to making cutout.

1 866 55 THERMADOR | WWW.THERMADOR.COM | 5551 MCFADDEN AVENUE, HUNTINGTON BEACH, CA 92649